



OUR GLOBAL
COMPETENCE
CENTRES

 APOLLO DISPLAY
TECHNOLOGIES



 DISTEC



 DISPLAY
TECHNOLOGY



Datasheet

Tianma

TM070RBH10-41

TI-60-017

MODEL NO. : TM070RBH10-41
MODEL VERSION: 41
SPEC VERSION : V2.3
ISSUED DATE: 2015-11-25

- Preliminary Specification**
 Final Product Specification

Customer : _____

Approved by	Notes

TIANMA Confirmed :

Prepared by	Checked by	Approved by
Gang.li	Longping.Deng	Feng.Qin

This technical specification is subjected to change without notice

Table of Contents

Table of Contents.....	2
Record of Revision.....	3
1 General Specifications.....	4
2 Input/Output Terminals.....	5
3 Absolute Maximum Ratings.....	7
4 Electrical Characteristics.....	8
5 Timing Chart.....	11
6 Touch Screen Panel Specifications.....	14
7 Optical Characteristics.....	17
8 Environmental / Reliability Test.....	20
9 Mechanical Drawing.....	21
10 Packing drawing.....	22
11 Precautions for Use of LCD Modules.....	23

TIANMA CONFIDENTIAL

Record of Revision

Rev	Issued Date	Description	Editor
2.0	2014-9-9	Final SPEC	Longping.Deng
2.1	2015-4-6	Update the Mechanical Drawing	Rui Xu
2.2	2015-4-14	Update the Optical Characteristics	Rui Xu
2.3	2015-11-25	Add temperature and relative humidity descriptions on page7.	Gang.li

The information contained herein is the exclusive property of SHANGHAI AVIC OPTOELECTRONICS Corporation, and shall not be distributed, reproduced, or disclosed in whole or in part without prior written permission of SHANGHAI AVIC OPTOELECTRONICS Corporation.

1 General Specifications

	Feature	Spec
Display Spec.	Size	7.0 inch
	Resolution	800(RGB) x 480
	Technology Type	a-Si TFT
	Pixel Configuration	R.G.B. Vertical Stripe
	Pixel pitch(mm)	0.1926 (H) x 0.179(V)
	Display Mode	TM,NW
	Surface Treatment	Anti Glare
	Viewing Direction	12 o'clock
	Gray Scale Inversion Direction	6 o'clock
Mechanical Characteristics	LCM (W x H x D) (mm)	164.9x 100 x 6.8
	Active Area(mm)	154.08 (W) x 85.92 (H)
	With /Without TSP	With TSP
	Matching Connection Type	CN1:HIROSE FH12A-50S-0.5H CN2:SFW4R-1STAE1-LF
	LED Numbers	24 LEDS
	Weight (g)	195.09
Electrical Characteristics	Interface	RGB 24 bits with TCON
	Color Depth	16.7M
	Driver IC	HX8264D*1+HX8664B*1

Note 1: Viewing direction for best image quality is different from TFT definition. There is a 180 degree shift.

Note 2: Requirements on Environmental Protection: RoHS

Note 3: LCM weight tolerance: +/- 5%

2 Input/Output Terminals

2.1 CN1 of FPC

Mating connector type: HIROSE FH12A-50S-0.5H

PIN	Symbol	I/O	Description	Remark
1	VLED+	P	Led anode	
2	VLED+	P	Led anode	
3	VLED-	P	Led cathode	
4	VLED-	P	Led cathode	
5	GND	P	Ground	
6	NC	NC	No Connection	
7	VCC	P	Digital power supply	
8	MODE	I	DE/SYNC mode select. H:DE mode, L:SYNC mode	
9	DE	I	Data enable signal, active high to enable data,if not use,please pull low	
10	VSNC	I	Vertical sync input, negative polarity,if not use,please pull high	
11	HSNC	I	Horizontal sync input, negative polarity, if not use,please pull high	
12	B7	I	Blue data (MSB)	
13	B6	I	Blue data	
14	B5	I	Blue data	
15	B4	I	Blue data	
16	B3	I	Blue data	
17	B2	I	Blue data	
18	B1	I	Blue data	
19	B0	I	Blue data (LSB)	
20	G7	I	Green data (MSB)	
21	G6	I	Green data	
22	G5	I	Green data	
23	G4	I	Green data	
24	G3	I	Green data	
25	G2	I	Green data	
26	G1	I	Green data	
27	G0	I	Green data (LSB)	
28	R7	I	Red data (MSB)	
29	R6	I	Red data	
30	R5	I	Red data	
31	R4	I	Red data	
32	R3	I	Red data	
33	R2	I	Red data	
34	R1	I	Red data	
35	R0	I	Red data (LSB)	
36	GND	P	Ground	
37	DCLK	I	Clock for input data, latch data at falling edge.	
38	GND	P	Ground	
39	LR	I	Source left or right sequence control	

The information contained herein is the exclusive property of SHANGHAI AVIC OPTOELECTRONICS Corporation, and shall not be distributed, reproduced, or disclosed in whole or in part without prior written permission of SHANGHAI AVIC OPTOELECTRONICS Corporation.

40	UD	I	Gate up or down scan control	
41	VGH	P	Positive power of TFT	
42	VGL	P	Negative power of TFT	
43	AVDD	P	Analog power supply	
44	RESET	I	Global reset pin	
45	NC	NC	No Connection	
46	NC	NC	No Connection	
47	DITHB	I	Dithering setting. H: 6bit resolution, L: 8bit resolution	
48	GND	P	Ground	
49	NC	NC	No Connection	
50	NC	NC	No Connection	

I---Input, O---Output, P--- Power/Ground

Table 2.1 terminal pin assignments

2.2 CN2 of TSP

Mating connector type: SFW4R-1STAE1-LF

PIN	Symbol	I/O	Description	Remark
1	XL	O	X+ channel output	
2	YD	O	Y+ channel output	
3	XR	O	X- channel output	
4	YU	O	Y- channel output	

I---Input, O---Output, P--- Power/Ground

Table 2.2 terminal pin assignments

2.3 U/D R/L Function Description

Scan control input		Scanning direction
UD	LR	
GND	VCC	Up to down, left to right
VCC	GND	Down to up, right to left
GND	GND	Up to down, right to left
VCC	VCC	Down to up, left to right

3 Absolute Maximum Ratings

Ta = 25°C

Item	Symbol	MIN	MAX	Unit	Remark
Power Voltage	VCC	-0.50	5.00	V	
	Vin	-0.50	5.00	V	Note1
	AVDD	-0.50	13.50	V	
	VGH	-0.30	42.00	V	
	VGL	-20.00	0.30	V	
	VGH-VGL	-0.30	40.00	V	
Operating Temperature	T _{op}	-20.0	70.0	°C	
Storage Temperature	T _{st}	-30.0	80.0	°C	
Relative Humidity (Note2)	RH	--	≤95	%	Ta ≤ 40°C
		--	≤85	%	40°C < Ta ≤ 50°C
		--	≤55	%	50°C < Ta ≤ 60°C
		--	≤36	%	60°C < Ta ≤ 70°C
		--	≤24	%	70°C < Ta ≤ 80°C
Absolute Humidity	AH	--	≤70	g/m ³	Ta > 70°C

Table 3.1 absolute maximum rating

Note1: Input voltage include R0~R5, G0~G5, B0~B5, DCLK, Hsync, Vsync, EN, LR, UD, MODE, DITHB, RESET. etc.

Note2: Ta means the ambient temperature.

It is necessary to limit the relative humidity to the specified temperature range. Condensation on the module is not allowed.

TIANMA

4 Electrical Characteristics

4.1 Recommended Operating Condition

VCC=3.3V, GND=0V, Ta = 25°C

Item	Symbol	MIN	TYP	MAX	Unit	Remark	
Digital supply Voltage	VCC	3.00	3.30	3.60	V		
Analog supply Voltage	AVDD	9.88	10.40	10.92	V		
Gate on voltage	VGH	14.40	16.00	17.60	V		
Gate off voltage	VGL	-7.70	-7.00	-6.30	V		
Input Signal Voltage	Low Level	V _{IL}	0	-	0.3xVCC	V	R0~R7, G0~G7, 0~B7, DE, DCLK, HSYNC, VSYNC, MODE, RESET, LR, UD, DITHB
	High Level	V _{IH}	0.7xVCC	-	VCC	V	
Current of digital supply voltage	I _{VCC}	-	-	10	mA	VCC=3.3V,colorbar pattern	
Current of analog supply voltage	I _{AVDD}	-	-	30	mA		
Current of Gate on voltage	I _{VGH}	-	-	0.3	mA	VGH=16.00V	
Current of Gate off voltage	I _{VGL}	-	-	0.3	mA	VGL=-7.0V	

Table 4.1 LCD module electrical characteristics

Note 1: the value is for design stage only.

4.2 Backlight Unit Driving Condition

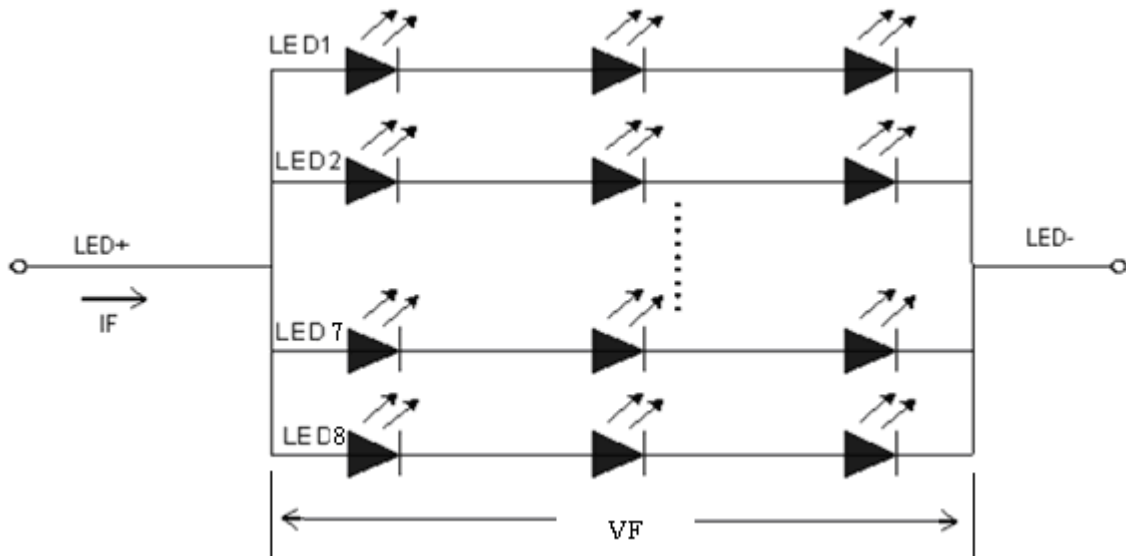
Item	Symbol	MIN	TYP	MAX	Unit	Remark
Forward Current	I_F	-	160.0	200	mA	24 LEDs (3 LED Serial, 8 LED Parallel)
Forward Current Voltage	V_F	9	9.6	10.8	V	
Backlight Power Consumption	W_{BL}	-	1536	-	mW	
Life Time	-----	-	20000	-	hrs	

Note1: The LED driving condition is defined for each LED module (3 LED Serial, 8 LED Parallel).For each LED: I_F (1/8) =20mA, V_F (1/3) =3.2V.

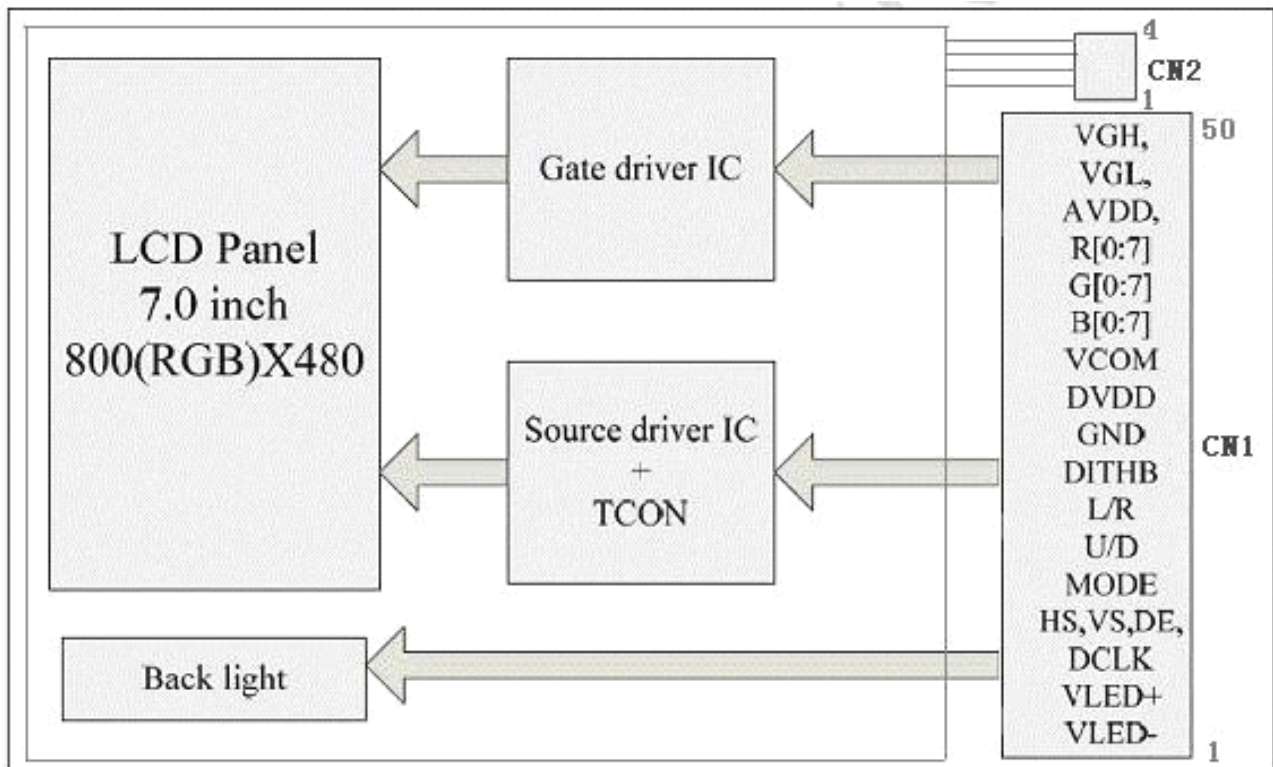
Note2: Under LCM operating, the stable forward current should be inputted. And forward voltage is for reference only.

Note3: I_F is defined for one channel LED.Optical performance should be evaluated at $T_a=25^\circ C$ only If LED is driven by high current, high ambient temperature & humidity condition. The life time of LED will be reduced.Operating life means brightness goes down to 50% initial brightness. Typical operating life time is estimated data.

Note4: The LED driving condition is defined for each LED module.



4.3 BLOCK DIAGRAM



TIANMA.COM

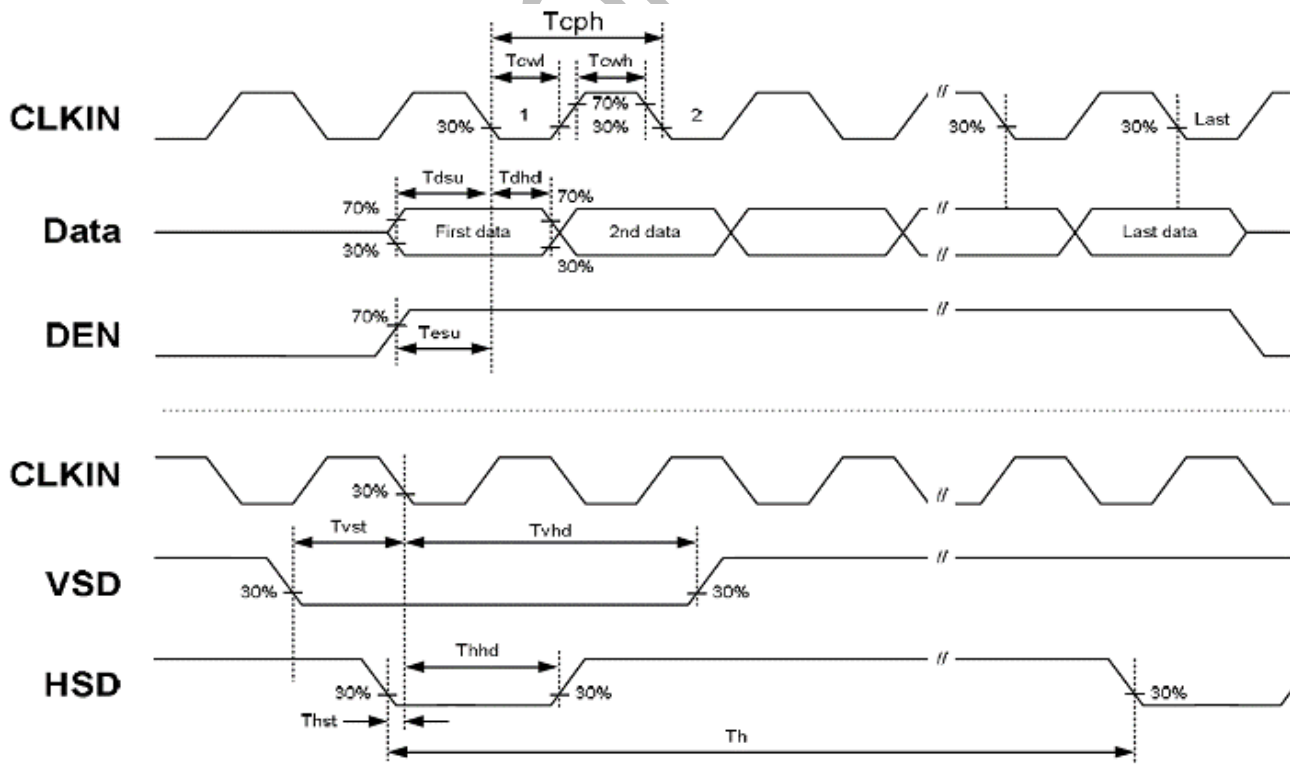
5 Timing Chart

5.1 TFT-LCD Input Timing

VCC=3.3V, GND=0V, Ta=25°C

Parameter	Symbol	Min	Typ	Max	Unit	Remark
DCLK frequency	F _{clk}	24.36	29.23	36.54	MHz	
DCLK cycle time	T _{cph}	41.05	34.21	27.37	ns	
DCLK pulse width	T _{cw}	40%	50%	60%	T _{cph}	
VS setup time	T _{vst}	10			ns	
VS hold time	T _{vhd}	10	-	-	ns	
HS setup time	T _{hst}	10			ns	
HS hold time	T _{hhd}	10	-	-	ns	
Data setup time	T _{dsu}	10			ns	Data to DCLK
Data hold time	T _{dhd}	10	-	-	ns	Data to DCLK
DE setup time	T _{esu}	10	-	-	ns	
DE hold time	T _{ehd}	10	-	-	ns	

Input Clock and Data timing Diagram:

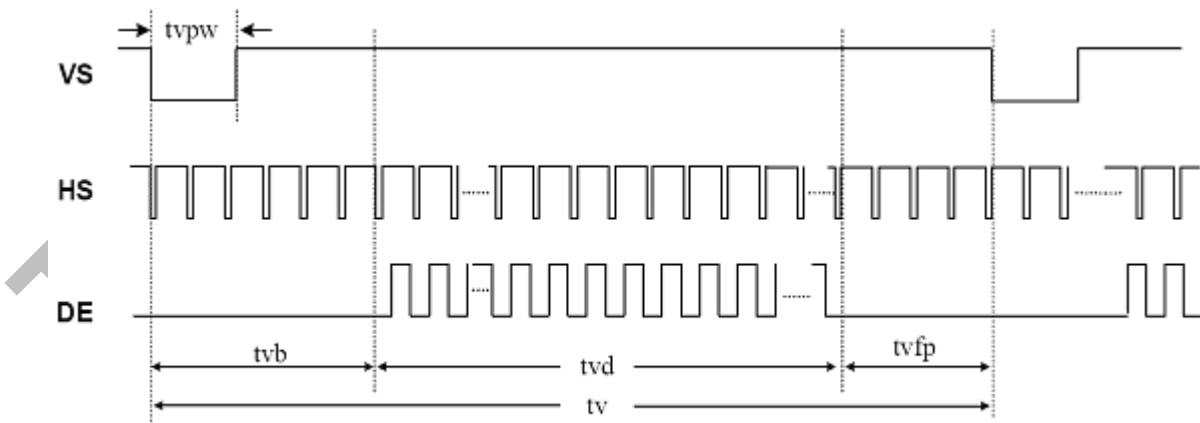


5.2 Recommended Timing Setting Of TCON
TCON (Embedded In Source IC) Input Timing (DCLK, HS, VS, DE)

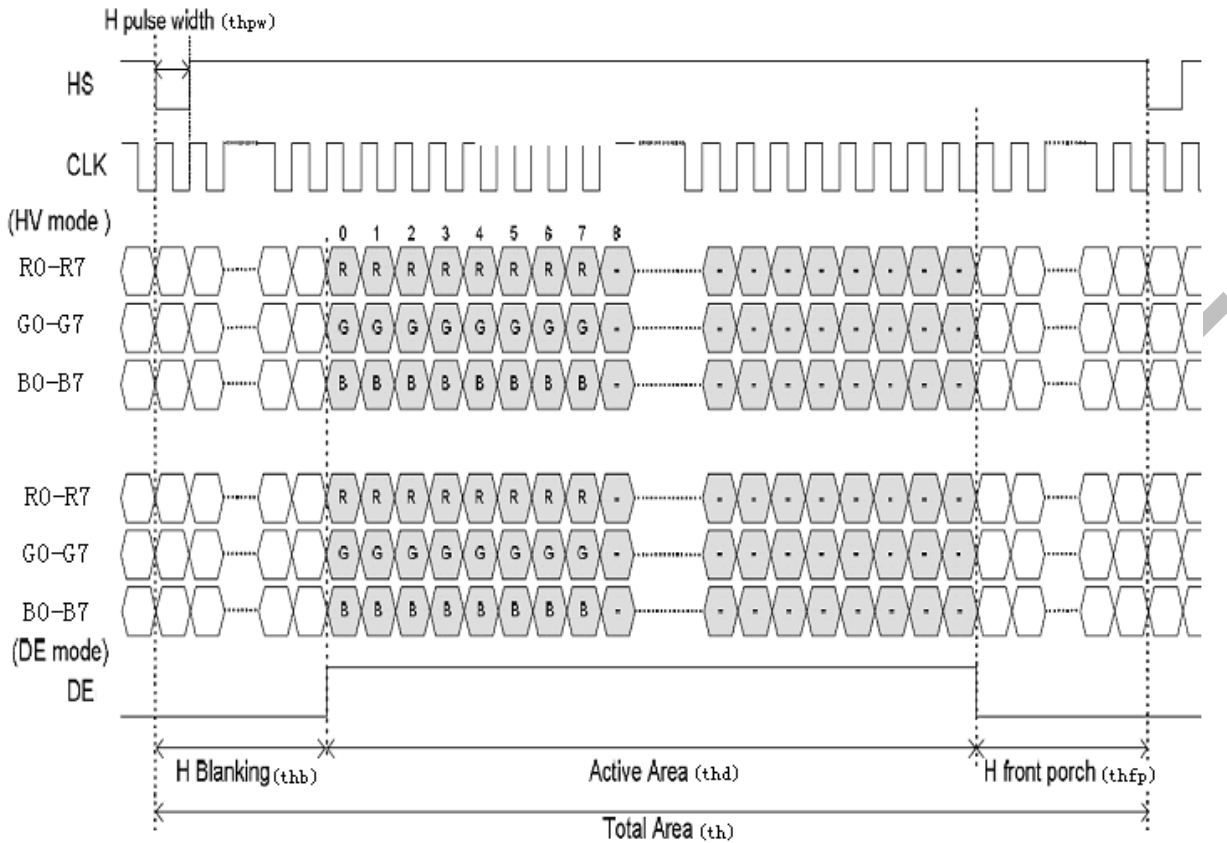
VCC=3.3V, GND=0V, Ta=25°C

Parameter	Symbol	Min	Typ	Max	Unit	Remark
DCLK	Fclk	28	30	40	MHZ	
	tclk	20	33.3	36	ns	
HSD	th	862	1056	1200	tclk	
	thd	800	800	800	tclk	
	thpw	1	-	40	tclk	
	thb	46	46	46	tclk	
	thfp	16	210	354	tclk	
VSD	tv	510	525	650	th	
	tvd	480	480	480	th	
	tvpw	1	3	20	th	
	tvb	23	23	23	th	
	tvfp	7	22	147	th	

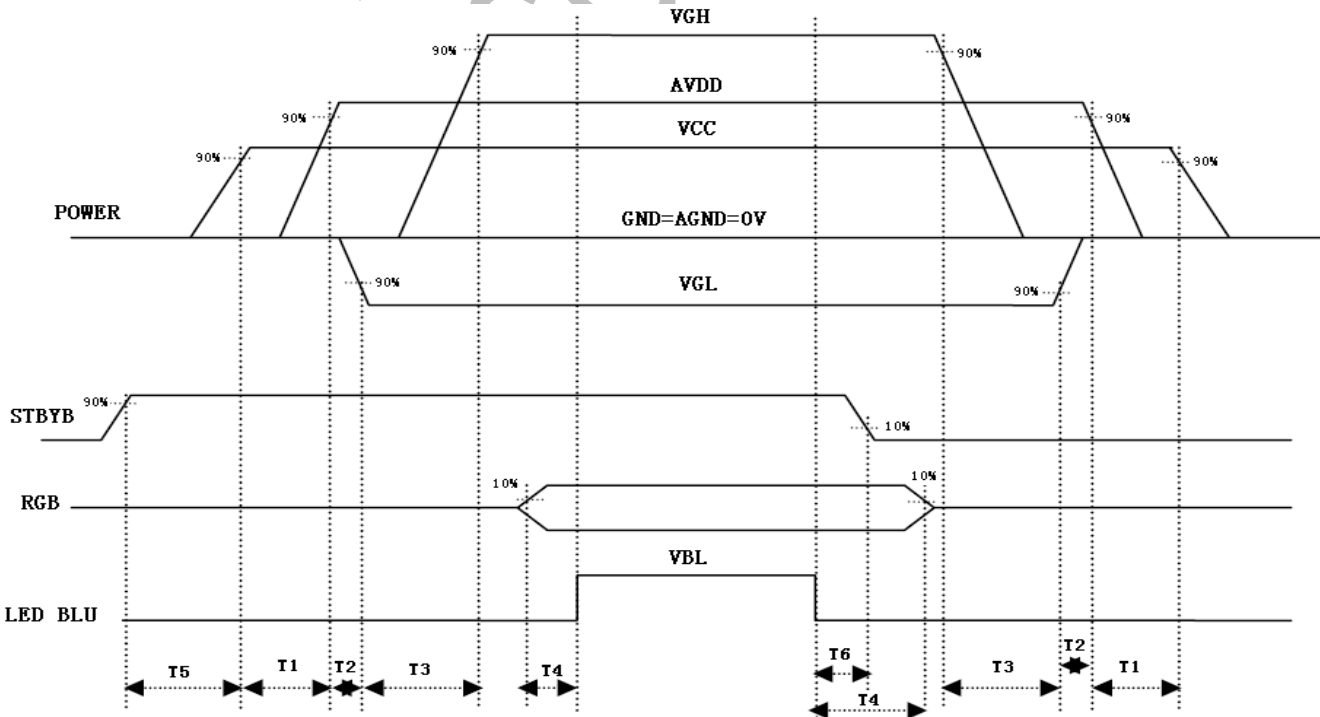
Note 1: DE timing refer to HS, VS input timing.

TCON Vertical Input Timing Diagram HV


TCON Horizontal Input Timing Diagram



5.3 POWER ON/OFF SEQUENCE



Note: $T1 \geq 20ms$, $T2 \geq 20ms$, $T3 \geq 5ms$, $T4 \geq 100ms$, $T5 \geq 5ms$, $T6 \geq 5ms$.

The information contained herein is the exclusive property of SHANGHAI AVIC OPTOELECTRONICS Corporation, and shall not be distributed, reproduced, or disclosed in whole or in part without prior written permission of SHANGHAI AVIC OPTOELECTRONICS Corporation.

6. Touch Screen Panel Specifications

6.1 Electrical Characteristics

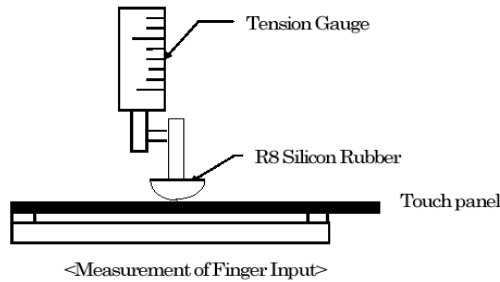
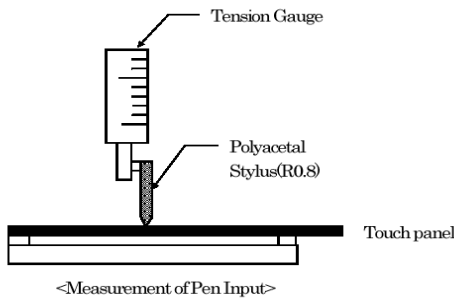
Item	Min.	Typ.	Max.	Unit	
Linearity	---	---	1.5%	---	Each axis: X and Y
Operating Voltage	---	5.0	7.0	V	DC
Resistance	X axis:	440	---	1100	Ω
	Y axis:	70	---	420	Ω
Chattering Time	---	---	10.0	ms	
Insulation Resistance	20	---	---	M Ω	@DC25V

6.2 Touch Panel Mechanical & Reliability Characteristics

Item	Value			Unit	Remark
	Min	Typ	Max		
Activation	80	-	160	gf	Note 1
Durability-surface scratching	Write 100000	-	-	characters	Note 2
Durability-surface pitting	1000000	-	-	touches	Note 3
Surface hardness	3			H	JIS K5400

Note1:

1. Input DC 5V on X direction , Drop off Polyacetal Stylus(R0.8),until output voltage stabilize ,then get the activation force;
2. R8 Silicon rubber for finger Activation force test;
3. Test point: 9 points.



Note2:

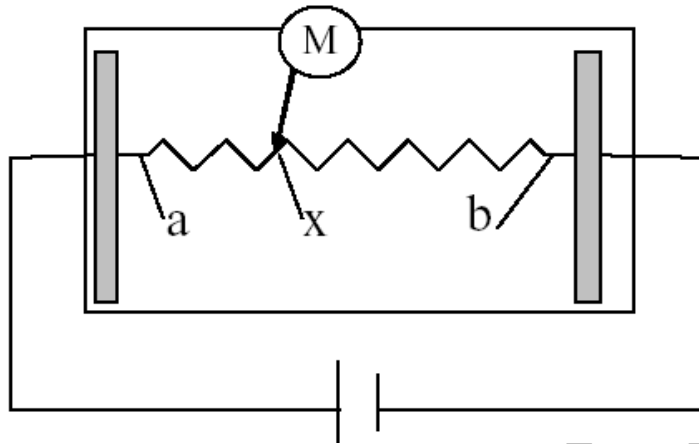
- End shape: R0.8mm(Stylus)
- Load force: 150gf
- Writing speed: 60 mm/sec
- Material of Pen: Polyacetal resin
- Sliding length: 10~100 mm

Note3:

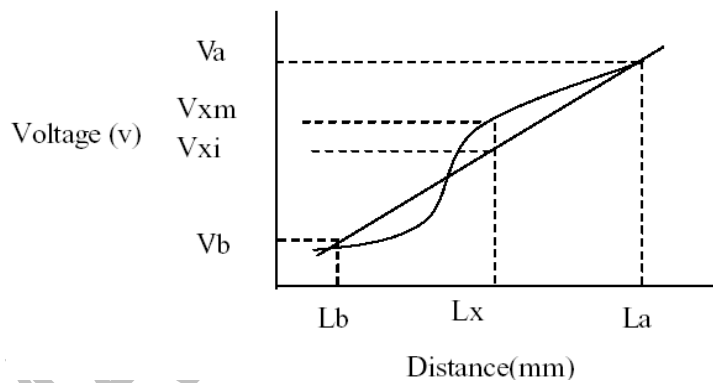
- End shape: R8mm, Material of Pen: Silicon rubber
- Hardness: 60°
- Load force: 150gf
- Frequency: 2 Hz

6.2 Electrical Characteristic

Linearity Definition



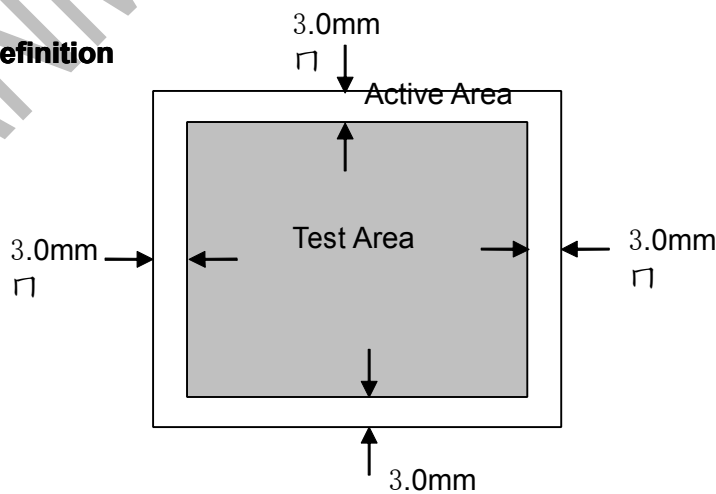
Va: maximum voltage in the active area of touch panel
 Vb: minimum voltage in the active area of touch panel
 X: random measuring point
 Vxm: actual voltage of Lx point
 Vxi: theoretical voltage of Lx point



$$\text{Linearity} = \frac{|V_{xi} - V_{xm}|}{(V_a - V_b)} * 100\%$$

Note: Test area is as follows and operation force is 150gf(single layer ITO Film), polyacetal stylus: R0.8mm.

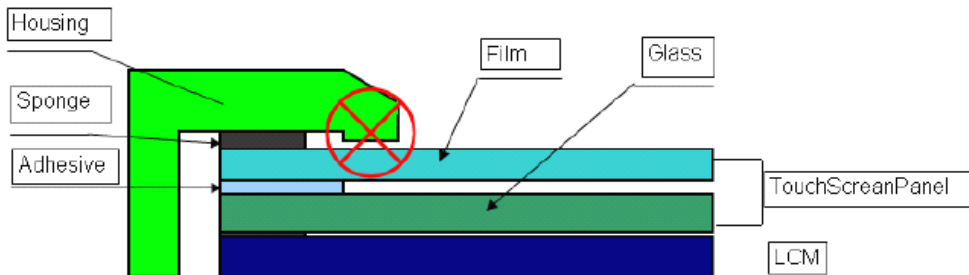
Chattering measure definition



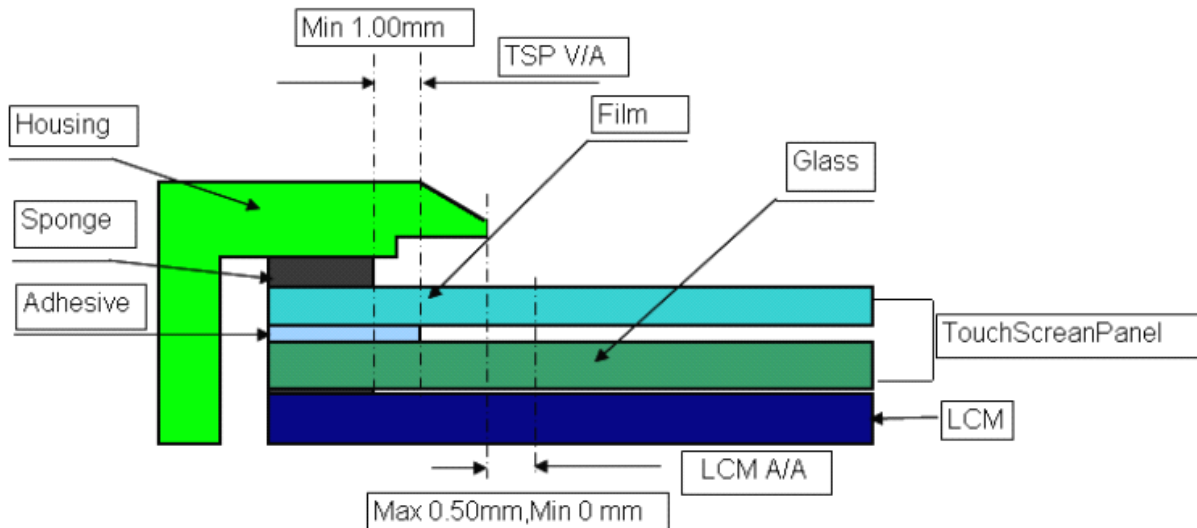
6.3.Housing design guide

Housing design follow as below

1. Avoid the design that housing overlap and press on the active area of the LCM
2. Give enough gap(Over 0.5mm at compressed) between the housing and TSP to Protect wrong operating.



3. Use a buffer material(Gasket) between the TSP and housing to protect damage and wrong operating
4. Avoid the design that buffer material overlap and press on the inside of TSP view area.



TIANMA

7.Optical Characteristics

Ta=25°C

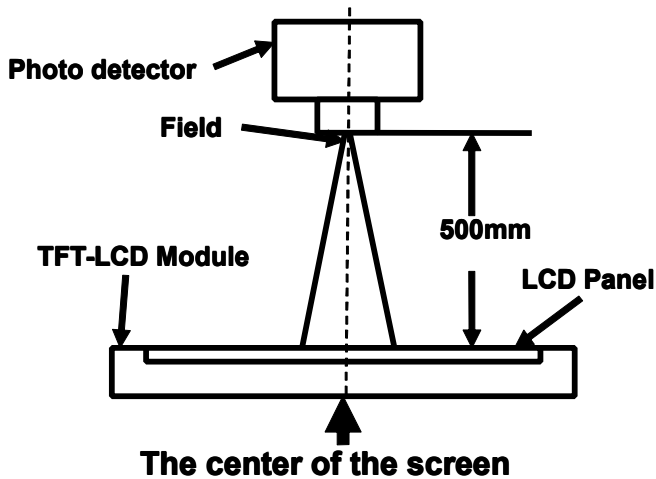
Item	Symbol	Condition	Min	Typ	Max	Unit	Remark
View Angles	θT	$CR \geq 10$	(50)	60	-	Degree	Note 2
	θB		(70)	80	-		
	θL		(70)	80	-		
	θR		(70)	80	-		
Contrast Ratio	CR	$\theta=0^\circ$	800	1000	-		Note1 Note3
Response Time	T_{ON}	25°C	-	25	-	ms	Note1 Note4
	T_{OFF}						
Chromaticity	White	Backlight is on	x	0.267	0.317	0.367	Note1 Note5
			y	0.284	0.334	0.384	
	Red		x	0.567	0.617	0.667	
			y	0.305	0.355	0.405	
	Green		x	0.289	0.339	0.389	
			y	0.483	0.533	0.583	
	Blue		x	0.092	0.142	0.192	
			y	0.049	0.099	0.149	
Uniformity	U		-	75	-	%	Note1 Note6
NTSC			-	49.2	-	%	Note 5
Luminance (With TP)	L		300	350	-	cd/m ²	Note1 Note7

Test Conditions:

1. $I_F=20\text{ mA}$, $V_F=9.6\text{ V}$ and the ambient temperature is 25°C.
2. The test systems refer to Note 1 and Note 2.

Note 1: Definition of optical measurement system.

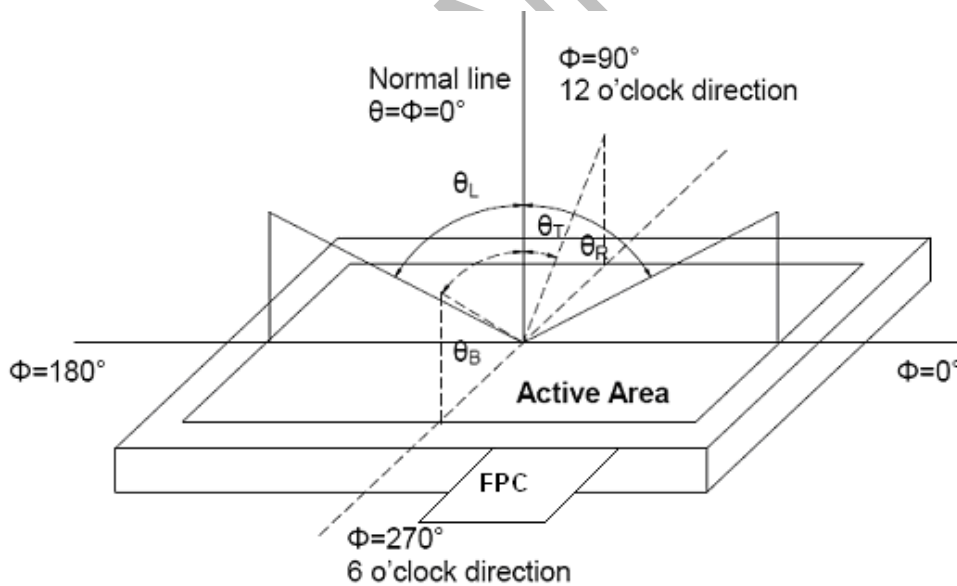
The optical characteristics should be measured in dark room. After 5 Minutes operation, the optical properties are measured at the center point of the LCD screen. All input terminals LCD panel must be ground when measuring the center area of the panel.



Item	Photo detector	Field
Contrast Ratio	SR-3A	1°
Luminance		
Chromaticity		
Lum Uniformity		
Response Time	BM-7A	2°

Note 2: Definition of viewing angle range and measurement system.

viewing angle is measured at the center point of the LCD by CONOSCOPE(ergo-80).



Note 3: Definition of contrast ratio

$$\text{Contrast ratio (CR)} = \frac{\text{Luminance measured when LCD is on the "White" state}}{\text{Luminance measured when LCD is on the "Black" state}}$$

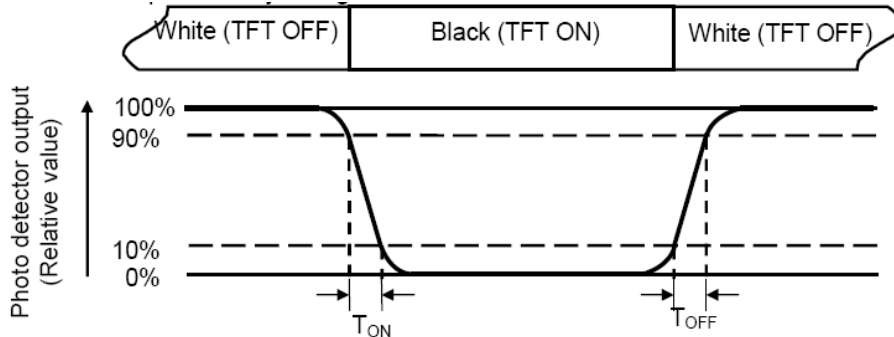
“White state “: The state is that the LCD should drive by V_{white} .

“Black state”: The state is that the LCD should drive by V_{black} .

V_{white} : To be determined V_{black} : To be determined.

Note 4: Definition of Response time

The response time is defined as the LCD optical switching time interval between “White” state and “Black” state. Rise time (T_{ON}) is the time between photo detector output intensity changed from 90% to 10%. And fall time (T_{OFF}) is the time between photo detector output intensity changed from 10% to 90%.



Note 5: Definition of color chromaticity (CIE1931)

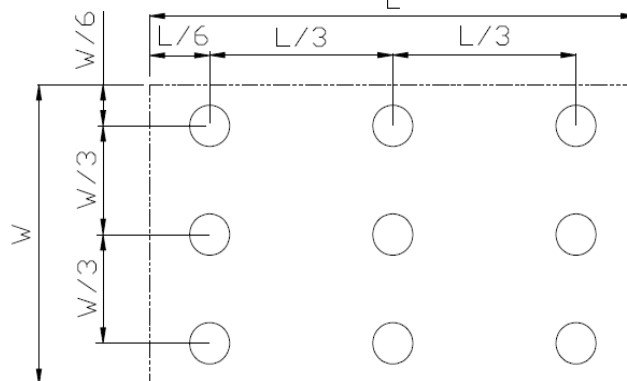
Color coordinates measured at center point of LCD.

Note 6: Definition of Luminance Uniformity

Active area is divided into 9 measuring areas (Refer Fig. 2). Every measuring point is placed at the center of each measuring area.

$$\text{Luminance Uniformity (U)} = L_{\min} / L_{\max}$$

L-----Active area length W----- Active area width



L_{\max} : The measured Maximum luminance of all measurement position.

L_{\min} : The measured Minimum luminance of all measurement position.

Note 7: Definition of Luminance:

Measure the luminance of white state at center point.

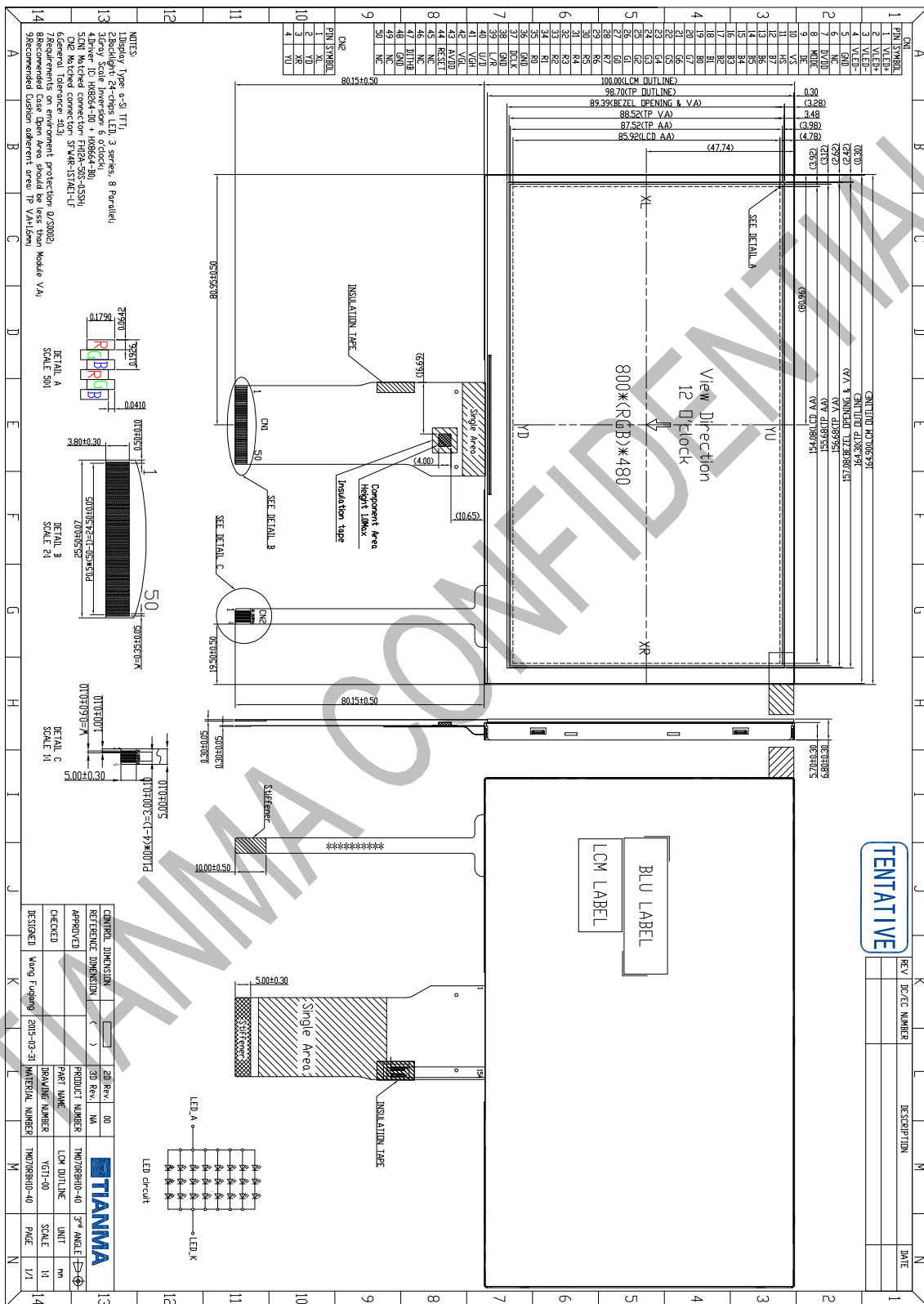
8.Environmental / Reliability Test

No	Test Item	Condition	Remarks
1	High Temperature Operation	Ts = +70°C, 240 hours	IEC60068-2-1:2007 GB2423.2-2008
2	Low Temperature Operation	Ta = -20°C, 240 hours	IEC60068-2-1:2007 GB2423.1-2008
3	High Temperature Storage	Ta = +80°C, 240 hours	IEC60068-2-1:2007 GB2423.2-2008
4	Low Temperature Storage	Ta = -30°C, 240 hours	IEC60068-2-1:2007 GB2423.1-2008
5	Storage at High Temperature and Humidity	Ta = +60°C, 90% RH max,240hours	IEC60068-2-78 :2001 GB/T2423.3—2006
6	Thermal Shock (non-operation)	-30°C 30 min~+80°C 30 min, Change time:5min, 100 Cycle	Start with cold temperature, End with high temperature, IEC60068-2-14:1984,G B2423.22-2002
7	ESD	C=150pF,R=330Ω,5point/panel Air:±8Kv,5times; Contact:±4Kv,5times (Environment:15°C~35°C, 30%~60%.86Kpa~106Kpa)	IEC61000-4-2:2001 GB/T17626.2-2006
8	Vibration Test	Frequency range:10~55Hz Stroke:1.5mm Sweep:10Hz~55Hz~10Hz 2 hours for each direction of X.Y.Z. (6 hours for total)	IEC60068-2-6:1982 GB/T2423.10—1995
9	Mechanical Shock (Non Op)	Half Sine Wave 100G 6ms, ±X,±Y,±Z 3times for each direction	IEC60068-2-27:1987 GB/T2423.5—1995
10	Package Drop Test	Height:60cm, 1corner,3edges,6surfaces	IEC60068-2-32:1990 GB/T2423.8—1995

Note1: Ts is the temperature of panel's surface.

Note2: Ta is the ambient temperature of samples.

9.Mechanical Drawing



TENTATIVE

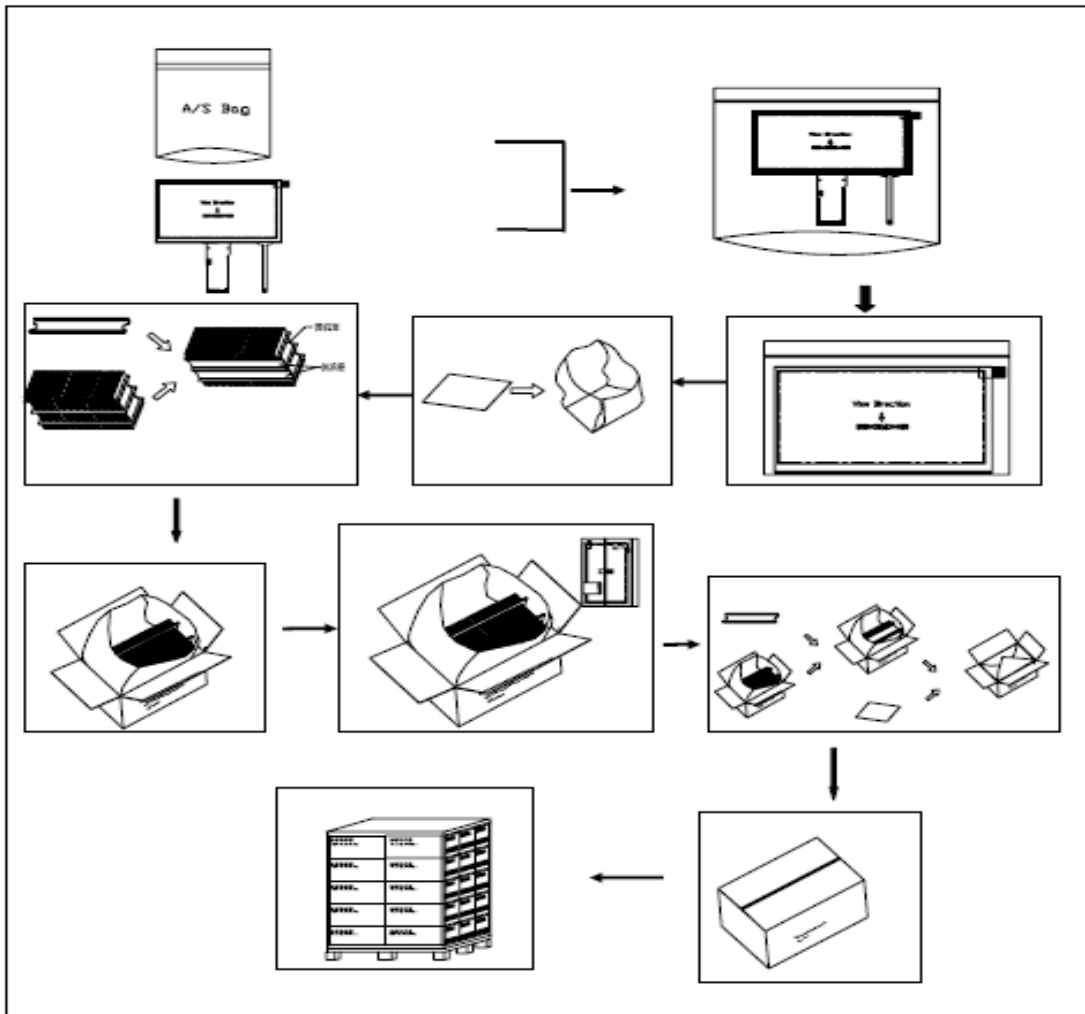
BLU LABEL
LCM LABEL

View Direction
12 o'clock

800*(R)B*480

10.Packing drawing

No	Item	Model (Material)	Dimensions(mm)	Unit Weight(Kg)	Quantity	Remark																												
1	LCM module	TM070RBH10	164.90x100.00x6.80	0.195	50																													
2	Partition_1	Corrugated Paper	513x333x215	2.0	1																													
3.	Anti-Static Bag	PE	200x175x0.05	0.01	50	Anti-static																												
4	Dust-Proof Bag	PE	700x545	0.0600	1																													
5	Partition_2	Corrugated Paper	505x332	0.1	2																													
6	Corrugated Bar	Corrugated Paper	513x148	4		7	Beauty-grain	Tape	30x10	0.001	50		8	Dessicant	Dessicant	45x35	0.002	8		9	Carton	Corrugated Paper	530x350x250	1.1000	1		10	Total weight	13.9kg±5%					
7	Beauty-grain	Tape	30x10	0.001	50																													
8	Dessicant	Dessicant	45x35	0.002	8																													
9	Carton	Corrugated Paper	530x350x250	1.1000	1																													
10	Total weight	13.9kg±5%																																



The information contained herein is the exclusive property of SHANGHAI AVIC OPTOELECTRONICS Corporation, and shall not be distributed, reproduced, or disclosed in whole or in part without prior written permission of SHANGHAI AVIC OPTOELECTRONICS Corporation.

11.Precautions for Use of LCD Modules

Handling Precautions

11.1.1 The display panel is made of glass. Do not subject it to a mechanical shock by dropping it from a high place, etc.

11.1.2 If the display panel is damaged and the liquid crystal substance inside it leaks out, be sure not to get any in your mouth, if the substance comes into contact with your skin or clothes, promptly wash it off using soap and water.

11.1.3 Do not apply excessive force to the display surface or the adjoining areas since this may cause the color tone to vary.

11.1.4 The polarizer covering the display surface of the LCD module is soft and easily scratched. Handle this polarizer carefully.

11.1.5 If the display surface is contaminated, breathe on the surface and gently wipe it with a soft dry cloth. If still not completely clear, moisten cloth with one of the following solvents:

- Isopropyl alcohol
- Ethyl alcohol

Solvents other than those mentioned above may damage the polarizer. Especially, do not use the following:

- Water
- Ketone
- Aromatic solvents

11.1.6 Do not attempt to disassemble the LCD Module.

11.1.7 If the logic circuit power is off, do not apply the input signals.

11.1.8 To prevent destruction of the elements by static electricity, be careful to maintain an optimum work environment.

11.1.8.1 Be sure to ground the body when handling the LCD Modules.

11.1.8.2 Tools required for assembly, such as soldering irons, must be properly ground.

11.1.8.3 To reduce the amount of static electricity generated, do not conduct assembly and other work under dry conditions.

11.1.8.4 The LCD Module is coated with a film to protect the display surface. Be care when peeling off this protective film since static electricity may be generated.

Storage precautions

11.2.1 When storing the LCD modules, avoid exposure to direct sunlight or to the light of fluorescent lamps.

11.2.2 The LCD modules should be stored under the storage temperature range. If the LCD modules will be stored for a long time, the recommend condition is:

Temperature : 0°C ~ 40°C Relatively humidity: ≤80%

11.2.3 The LCD modules should be stored in the room without acid, alkali and harmful gas.

Transportation Precautions

11.3.1 The LCD modules should be no falling and violent shocking during transportation, and also should avoid excessive press, water, damp and sunshine.

Our company network supports you worldwide with offices in Germany, Austria, Switzerland, the UK and the USA. For more information please contact:

Headquarters

Germany



FORTEC Elektronik AG

Lechwiesenstr. 9
86899 Landsberg am Lech

Phone: +49 8191 91172-0
E-Mail: sales@forteca.de
Internet: www.forteca.de

Fortec Group Members

Austria



FORTEC Elektronik AG

Office Vienna

Nuschinggasse 12
1230 Wien

Phone: +43 1 8673492-0
E-Mail: office@fortec.at
Internet: www.fortec.at

Germany



Distec GmbH

Augsburger Str. 2b
82110 Germering

Phone: +49 89 894363-0
E-Mail: info@distec.de
Internet: www.distec.de

Switzerland



ALTRAC AG

Bahnhofstraße 3
5436 Würenlos

Phone: +41 44 7446111
E-Mail: info@altrac.ch
Internet: www.altrac.ch

United Kingdom



Display Technology Ltd.

Osprey House, 1 Osprey Court
Hichingbrooke Business Park
Huntingdon, Cambridgeshire, PE29 6FN

Phone: +44 1480 411600
E-Mail: info@displaytechnology.co.uk
Internet: www.displaytechnology.co.uk

USA



Apollo Display Technologies, Corp.

87 Raynor Avenue,
Unit 1 Ronkonkoma,
NY 11779

Phone: +1 631 5804360
E-Mail: info@apolloDisplays.com
Internet: www.apolloDisplays.com