



## DLD8500-I 85" TFT LCD, LED Backlight 2000nits, UHD (3840x2160)

The DLD8500-I is 85 inch industrial grade sunlight readable LCD, with high brightness 2000 nits and high color saturation, it produce sharp images, crisp text and lifelike colors. The Durapixel LED backlight technology ensures high reliability and low power consumption, suitable for outdoor application, kiosk, digital signage in retail stores, conference rooms, broadcast studios, public information .

### Key Features

- 85" 4K2K High resolution
- High brightness 2000nits immersive technology
- High color saturation, stunning visual clarity display
- Long lasting 24/7 operations
- Stylish, slim and lightweight design.
- BL MTBF: 100,000 hours



### Specifications

<b>Model Name</b>	<b>DLD8500-I</b>
<b>Description</b>	85" TFT LCD, LED Backlight 2000nits, UHD(3840x2160)
<b>Screen Size</b>	85"
<b>Display Area (mm)</b>	1872(H)*1053(V)
<b>Brightness</b>	2000 cd/m <sup>2</sup>
<b>Resolution</b>	3840 x 2160
<b>Aspect Ratio</b>	16 : 9
<b>Contrast Ratio</b>	4000 : 1
<b>Pixel Pitch (mm)</b>	0.4875(H) x 0.4875(V)
<b>Pixel Per Inch (PPI)</b>	52
<b>Viewing Angle</b>	178°(H),178°(V)
<b>Color Saturation (NTSC)</b>	90%
<b>Display Colors</b>	1.07 G
<b>Response Time (Typical)</b>	9.5ms
<b>Panel Interface</b>	V by One
<b>AD Board Input Interface</b>	DVI-D, HDMI, DP
<b>Input Power</b>	AC100~240V
<b>Power Consumption</b>	827W
<b>OSD Key</b>	5 Keys (Power Switch, Menu, +, Exit, -)
<b>OSD Control</b>	Brightness, Color, Contrast, Auto Turing, H/V Position...etc
<b>Dimensions (mm)</b>	1902 x 1083 x 107.8 mm
<b>Bezel Size(U/B/L/R)</b>	15/15/15/15 mm
<b>Weight (Net)</b>	80kg
<b>VESA Mounting</b>	500x400, 500x600 mm
<b>Operating Temperature</b>	0 °C ~ 50 °C
<b>Storage Temperature</b>	-20 °C ~ 60 °C

**DLD= Panel + LED Driving Board + AD Control Board + Chassis**

*Specifications are subject to change without notice.*

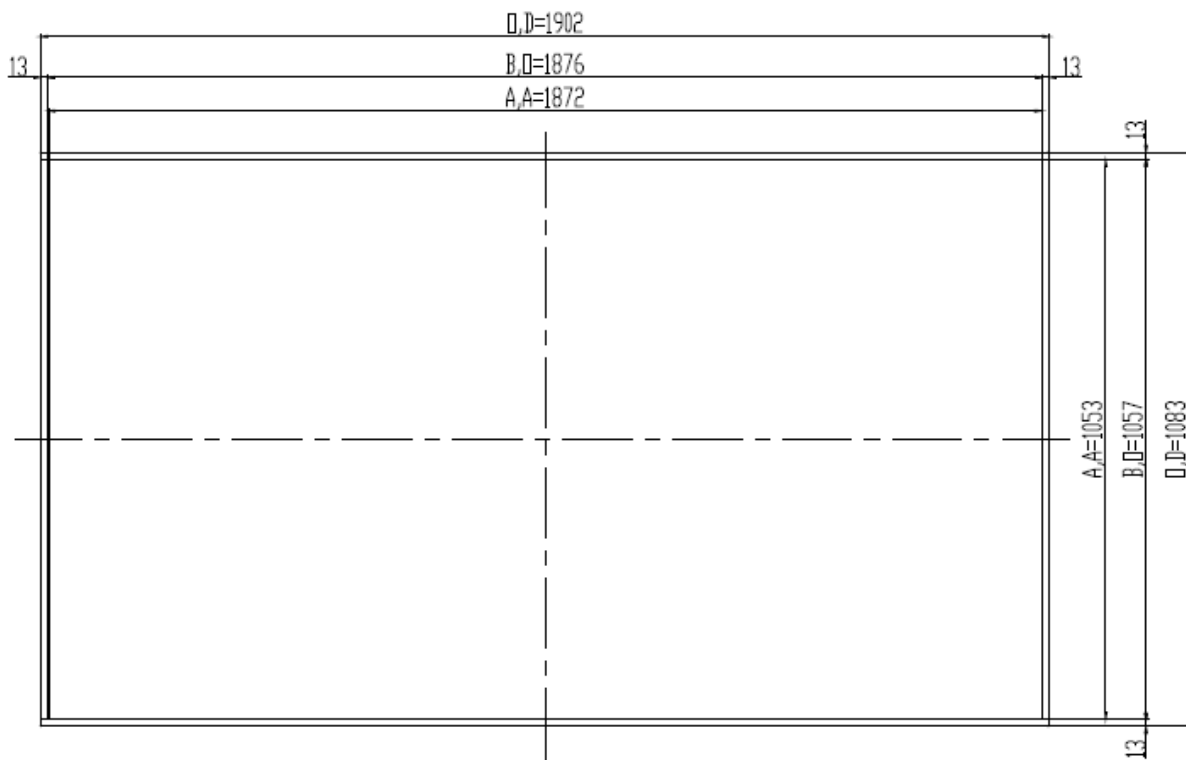
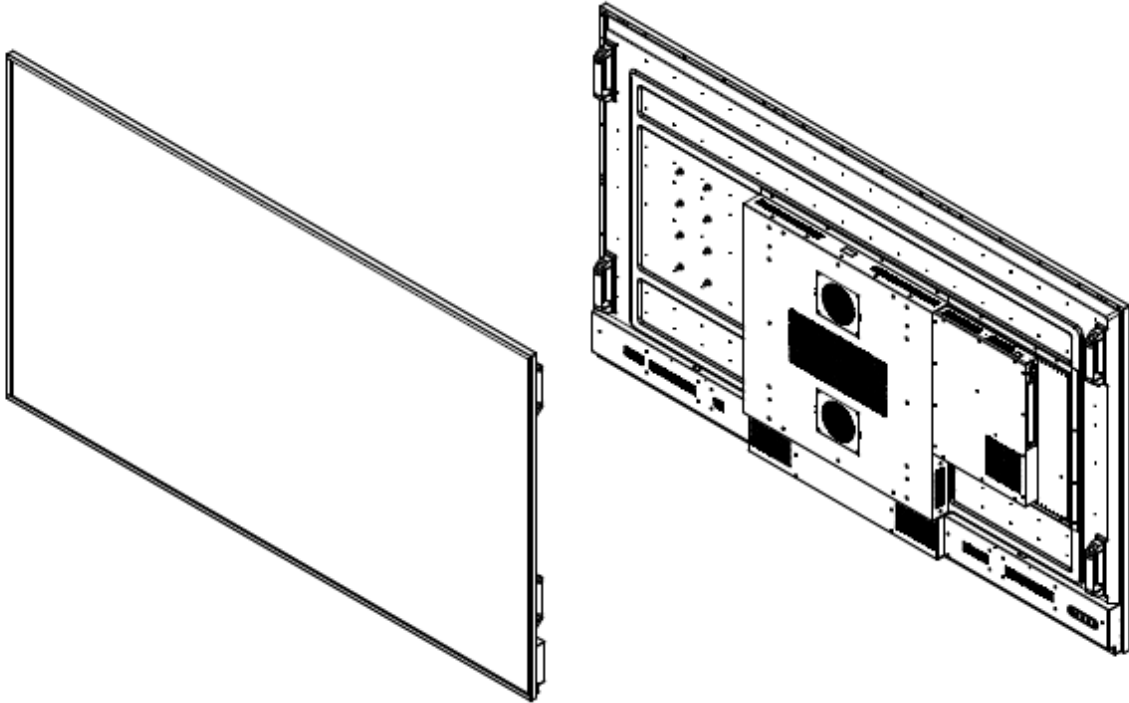
*All brands or product names are trademarks or registered trademarks of their respective companies.*

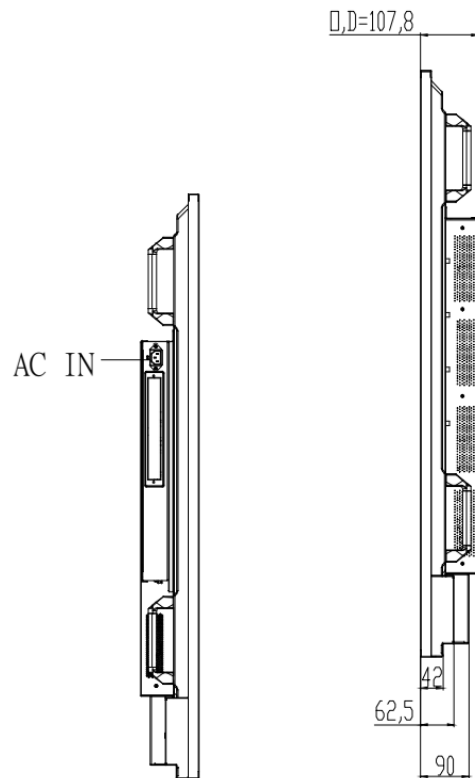
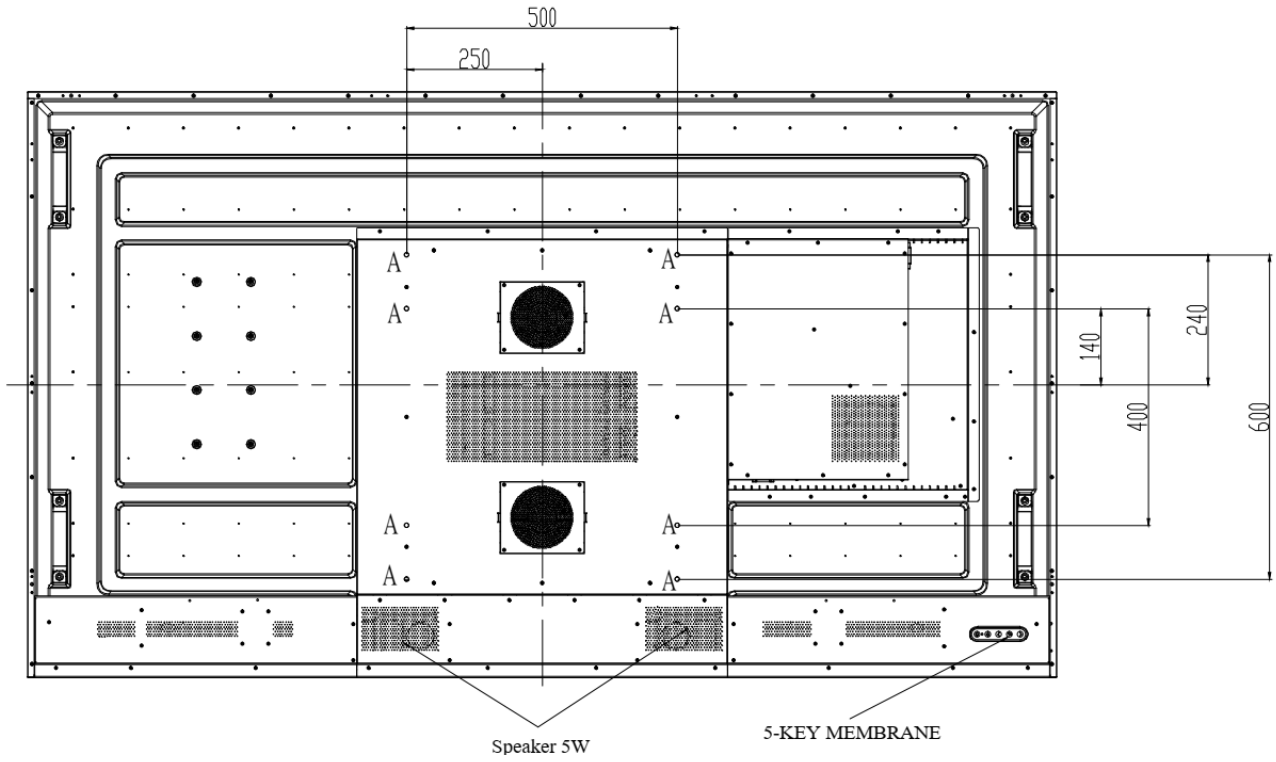


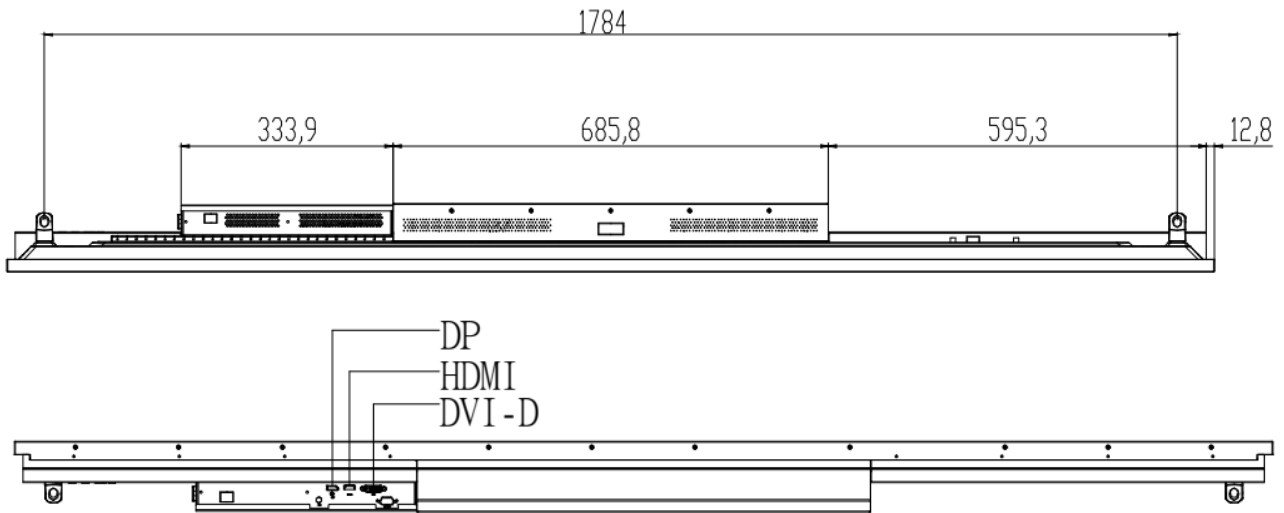
## Mechanical Drawing

### Outline Dimensions

Unit:mm







Note:  
 O.D : Outline Dimension  
 B.O : Bezel Opening  
 A.A : LCD Active Area  
 A:8-M8 USER HOLE \_MAX. DEPTH=20mm

### Ordering Information

Part Number	Description
<b>DLD8500-INU-N01</b>	85",2000nits,3840*2160,LID85C,AD2796DHP,speaker*2,O/B,AC100~240V,V1

### Optional Accessories

Part Number	Description
<b>810618301010</b>	CABLE.POWER.AC.1830mm USA type
<b>810618301090</b>	CABLE,POWER,AC,1830mm Europe type
<b>810618301050</b>	CABLE.POWER.AC.1830mm UK type
<b>810618301170</b>	CABLE.POWER,AC,1830mm Australia type
<b>810618301031</b>	CABLE.POWER.AC.1830mm Japan type

### Customer request

<b>Touch</b>	PCT (Multi-Touch)
<b>Glass</b>	Tempered glass,AR coating.....