

Datasheet

COMe-bSL6

Kontron

Our company network supports you worldwide with offices in Germany, Austria, Switzerland, Great Britain and the USA. For more information please contact:

FORTEC Elektronik AG

Hauptniederlassung
Lechwiesenstr. 9
86899 Landsberg am Lech

Telefon: +49 (0) 8191 91172-0
Telefax: +49 (0) 8191 21770
E-Mail: sales@fortecag.de
Internet: www.fortecag.de

FORTEC Elektronik AG

Büro West
Hohenstaufenring 55
50674 Köln

Telefon: +49 (0) 221 272 273-0
Telefax: +49 (0) 221 272 273-10
E-Mail: west@fortecag.de
Internet: www.fortecag.de

FORTEC Elektronik AG

Büro Wien
Nuschinggasse 12
A-1230 Wien

Telefon: +43 1 8673492-0
Telefax: +43 1 8673492-26
E-Mail: office@fortec.at
Internet: www.fortec.at

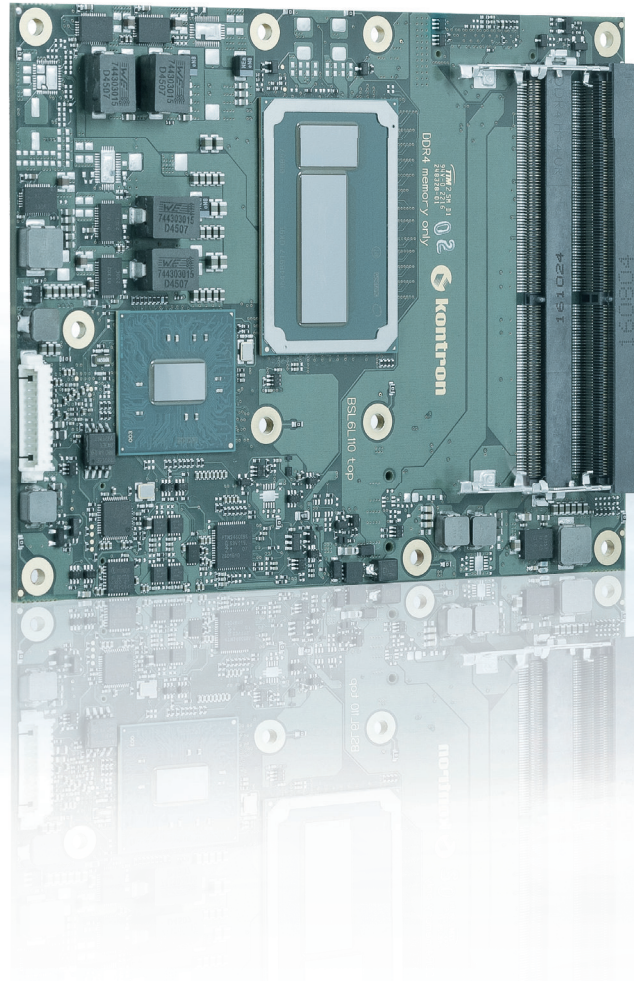
ALTRAC AG

(Tochter der FORTEC):
Bahnhofstraße 3
CH-5436 Würenlos

Telefon: +41 (0) 44 7446111
Telefax: +41 (0) 44 7446161
E-Mail: info@altrac.ch
Internet: www.altrac.ch

The information contained in this document has been carefully researched and is, to the best of our knowledge, accurate. However, we assume no liability for any product failures or damages, immediate or consequential, resulting from the use of the information provided herein. Our products are not intended for use in systems in which failures of product could result in personal injury. All trademarks mentioned herein are property of their respective owners. All specifications are subject to change without notice.

COMe-bSL6



COM EXPRESS® BASIC TYPE 6 WITH 6th GENERATION Intel® Core™ / Xeon® PROCESSORS

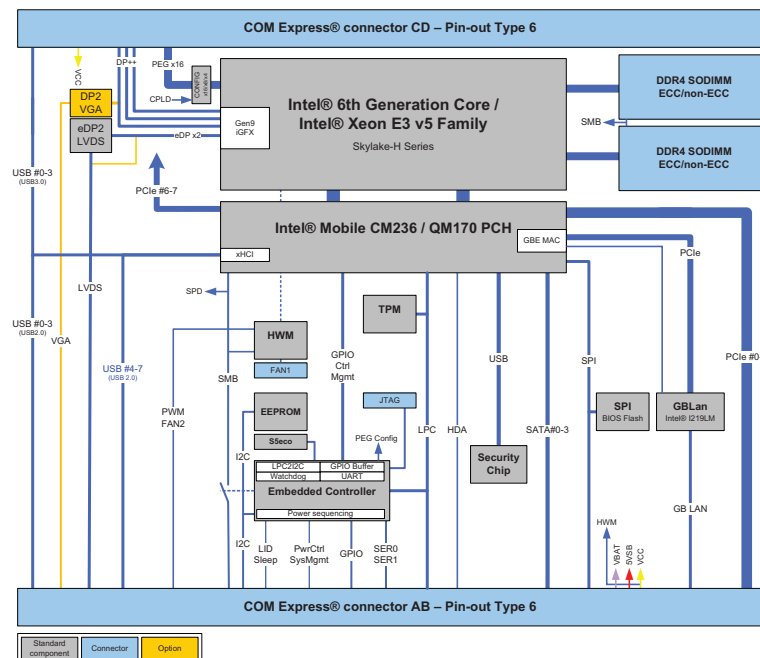
- ▶ Intel® 6th Generation Core™ series / Xeon® E3 v5 family with CM236/QM170 PCH
- ▶ up to 32 GByte DDR4 non-ECC/ECC memory
- ▶ support of Kontron's Embedded Security Solution (Aprotect)

POSSIBILITIES START HERE



TECHNICAL INFORMATION

COMPLIANCE	COM Express® basic, Pin-out Type 6
DIMENSIONS (H x W)	125 x 95 mm
CPU	Intel® Xeon® E3-1515M, Intel® Xeon® E3-1505M, Intel® Xeon® E3-1505L, Intel® Core™ i7-6820EQ, Intel® Core™ i7-6822EQ, Intel® Core™ i5-6440EQ, Intel® Core™ i5-6442EQ, Intel® Core™ i3-6100E, Intel® Core™ i3-6102E, Intel® Celeron™ G3900E, Intel® Celeron™ G3902E
CHIPSET	Intel® Mobile CM236 / Intel® Mobile QM170 (Core™ i5 & Core™ i7)
MAIN MEMORY	2x DDR4-2133 SO-DIMM up to 2x 16 GByte (non-ECC/ECC)
GRAPHICS CONTROLLER	Intel® Iris™ Pro Graphics P580 (GT4e), Intel® HD Graphics P530 (GT2), Intel® HD Graphics P510 (GT1)
ETHERNET CONTROLLER	Intel® I219LM
ETHERNET	10/100/1000 MBit Ethernet
HARD DISK	4x SATA 6Gb/s
FLASH ONBOARD	-
PCI EXPRESS® SUPPORT	8x PCIe x1, 1x PEG x16
PANEL SIGNAL	DDI1: DP++, DDI2: DP++, DDI3: DP++, VGA: -, LVDS: Dual Channel 18/24bit
USB	4x USB 3.0 (incl. USB 2.0) + 4x USB 2.0
SERIAL	2x serial interface (RX/TX only)
AUDIO	Intel® High Definition Audio
COMMON FEATURES	SPI, LPC, SMB, Fast I ² C, Staged Watchdog, RTC, MARS
BIOS	AMI Aptio V
HUMIDITY	93 % relative Humidity at 40 °C, non-condensing (according to IEC 60068-2-78)
FEATURES ON REQUEST	vPRO (AMT/TXT/AES Support), eDP instead of LVDS, VGA, Intel® Mobile HM170 Chipset
POWER MANAGEMENT	ACPI 4.0, S5 Eco
POWER SUPPLY	8.5 V - 20 V Wide Range, Single Supply Power
SPECIAL FEATURES	POSCAP capacitors, Trusted Platform Module TPM 2.0, Security Chip, 4k Resolutions, Flexible PEG lane configuration by Setup Option
OPERATING SYSTEM	Windows® 10, Windows® 8.1, Windows® 7, WEI8, WE8S, WE7S, Linux, VxWorks
TEMPERATURE	Commercial temperature: 0° C to +60° C operating, -30° C to +85° C non-operating Extended temperature: -25° C to +75° C operating, -30° C to +85° C non-operating
SUPPORTED MODULES	COMe-bSL6 xx-xxxxxx CM236/QM170



CORPORATE OFFICES

EUROPE, MIDDLE EAST & AFRICA

Lise-Meitner-Str. 3-5
86156 Augsburg
Germany
Tel.: +49 821 4086 0
Fax: +49 821 4086 111
info@kontron.com

NORTH AMERICA

14118 Stowe Drive
Poway, CA 92064-7147
USA
Tel.: +1 888 294 4558
Fax: +1 858 677 0898
info@us.kontron.com

ASIA PACIFIC

1-2F, 10 Building, No. 8 Liangshuihe 2nd Street,
Economical & Technological Development Zone,
Beijing, 100176, P.R.China
Tel.: +86 10 63751188
Fax: +86 10 83682438
info@kontron.cn

FORTEC

ELEKTRONIK AG

Our company network supports you worldwide with offices in Germany, Austria, Switzerland, Great Britain and the USA. For more information please contact:

FORTEC Elektronik AG

Hauptniederlassung
Lechwiesenstr. 9
86899 Landsberg am Lech

Telefon: +49 (0) 8191 91172-0
Telefax: +49 (0) 8191 21770
E-Mail: sales@fortecag.de
Internet: www.fortecag.de

FORTEC Elektronik AG

Büro West
Hohenstaufenring 55
50674 Köln

Telefon: +49 (0) 221 272 273-0
Telefax: +49 (0) 221 272 273-10
E-Mail: west@fortecag.de
Internet: www.fortecag.de

FORTEC Elektronik AG

Büro Wien
Nuschinggasse 12
A-1230 Wien

Telefon: +43 1 8673492-0
Telefax: +43 1 8673492-26
E-Mail: office@fortec.at
Internet: www.fortec.at

ALTRAC AG

(Tochter der Fortec AG):
Bahnhofstraße 3
CH-5436 Würenlos

Telefon: +41 (0) 44 7446111
Telefax: +41 (0) 44 7446161
E-Mail: info@altrac.ch
Internet: www.altrac.ch

Members of the FORTEC Group:

