



OUR GLOBAL
COMPETENCE
CENTRES

 APOLLO DISPLAY
TECHNOLOGIES



 DISTEC



 DISPLAY
TECHNOLOGY



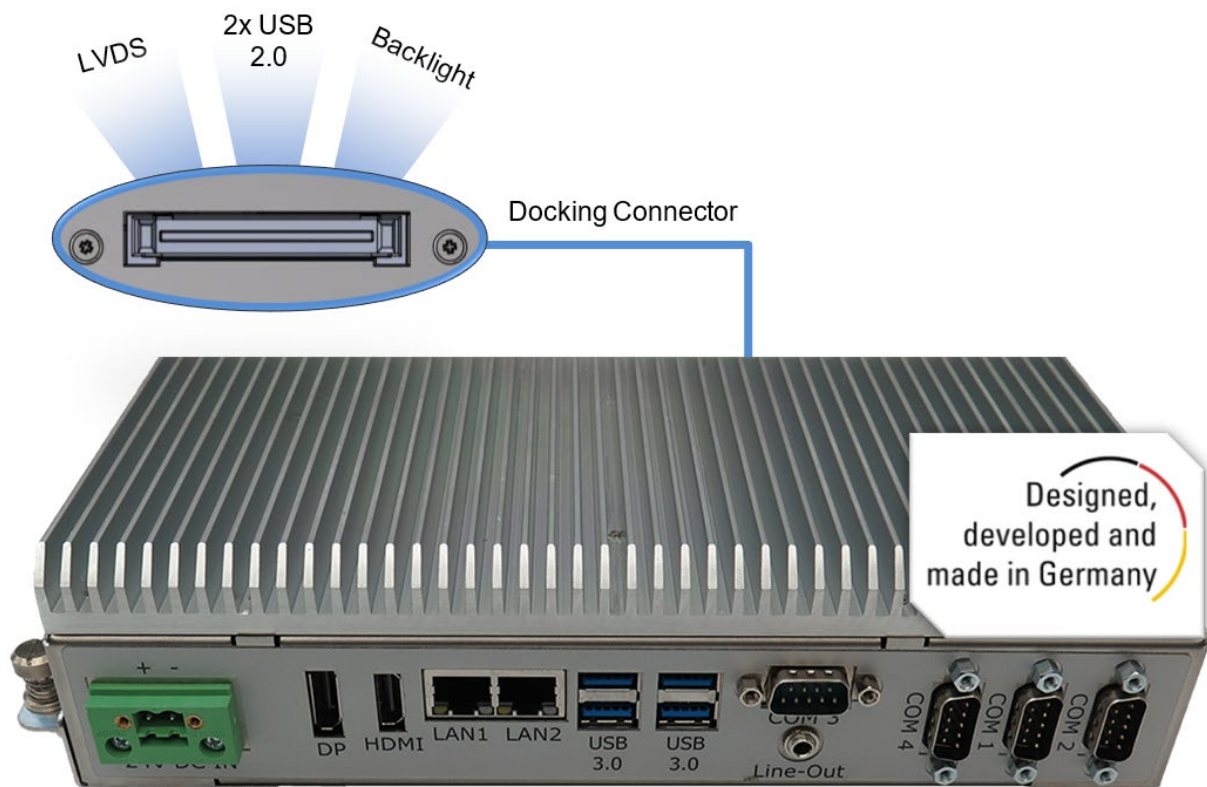
Datasheet

Distec

BoxPC Pro 7300

Fanless & Compact Embedded BOX PC with i5-7300U and unique Docking Connector for easy control of external LVDS TFT Displays and e.g. USB Touch Controller / Webcam

PC-61-164



Version 1.4

05.10.2021

The information contained in this document has been carefully researched and is, to the best of our knowledge, accurate. However, we assume no liability for any product failures or damages, immediate or consequential, resulting from the use of the information provided herein. Our products are not intended for use in systems in which failures of product could result in personal injury. All trademarks mentioned herein are property of their respective owners. All specifications are subject to change without notice.

Table of Contents

1	Revision History	4
2	Description	4
3	Features	4
4	Specification	5
5	Connectors / Interfaces	6
6	Mechanical Drawing	6
7	Operating System – Windows 10 IoT Enterprise	7
8	Docking Board.....	7
8.1	Docking Board Drawing	7
9	DIN Rail Mounting Kit (KI-90-033)	8
10	Custom Branding (optional on request)	8

1 Revision History

Date	Rev.No.	Description	Page
21.10.2020	1.0	Final Version	All
24.11.2020	1.1	Added Custom Branding Section and PN for DC Jack cable	2,5,8
05.07.2021	1.2	Added Custom Branding as Option	2,4,6,8
17.08.2021	1.3	Added DIN Rail Mounting Kit	8
05.10.2021	1.4	Updated PartNr.	2,5

2 Description

The Embedded Box PC was developed especially for industrial applications and is designed for 24/7 usage. Inside the Box PC you will find a 7th Generation Intel® Core™ i5-7300U Processor. Despite its Core™ i performance, the PC can be operated fanless. It has a large number of I/O interfaces such as 2x RS232/422/485 and 2x RS232. The specially developed docking connector is particularly noteworthy, allowing for an LVDS display with e.g. touch and/or webcam to be operated externally.

3 Features

- 7th Gen. Intel® Core™ i5-7300U Embedded processor (other CPU on Request)
- Unique docking connector (LVDS, BL & USB 2.0)
- HDMI and DisplayPort
- 2x Intel® Gigabit Ethernet
- Compact and fanless design
- 2x RS232/422/485
- 2x RS232
- 9-24V DC-in

4 Specification

Processor	CPU	7th Gen. Intel® Core™ i5-7300U
	Frequency	2.6 GHz, turbo burst up to 3.5 GHz
	Cores / Threads	2 / 4
	BIOS	AMI
	Embedded Version	Yes
Memory	Capacity	8GB (2x 4GB) built-in
	Max. capacity	32GB
	Technology	DDR4-2133
	Socket	2x SO-DIMM
Graphics	Processor Graphics	Intel® HD 620
	LVDS	24-bit Dual Channel LVDS via Docking Connector
	HDMI 1.4	Max. 4096x2304@ 24Hz
	DisplayPort	Max. 4096x2304@ 60Hz
Ethernet	LAN 1	Intel® 10/100/1000 I219LM
	LAN 2	Intel® 10/100/1000 I211AT
Front I/O	USB	4x USB 3.0 (Type A)
	Serial Port	2x RS232/422/485 (jumperless selection) 2x RS232
	HDMI	1x
	DisplayPort	1x
	Audio	1x Audio out
	Power Supply	9-24V DC-in
Rear I/O	USB	2x USB 2.0 (Type A) shared with Docking Connector via HUB
	Docking Connector	2x USB 2.0 1x 24-bit Dual Channel LVDS / Backlight
Storage/Extension	mSATA/miniPCIe	64GB MLC mSATA built-in
Other	TPM	2.0
	Power on/off	Switch for on/off
	LED	for Power and SSD
	Watchdog Timer	256 level
General	Operating Temperature	0...+40°C (32...104°F)
	Storage Temperature	-20...+80°C (-4...104°F)
	Operating humidity	10...90% (non-condensing)
	Storage humidity	10...90% (non-condensing)
	Dimensions	147,3 x 296 x 59 mm
	Housing	stainless steel
	Power consumption	16W
	Weight	2,1 kg
Certifications	CE, FCC, EU-RoHS	

Ordering Information

Order Nr.	Description
PC-61-164	BoxPC Pro 7300 with i5-7300U, 8GB Memory, 64GB SSD and Pre-installed Windows 10 IoT Enterprise 2019 LTSC
ZU-02-502	IF433 Docking Board with LVDS/BL Connector and 2x USB 2.0 I/O Panel Voltage: +5V_LCD, LVDS_OPT_0: GND, LVDS_OPT_1: N.A., LVDS_OPT_2: N.A LVDS_OPT_3: N.A, SBR_CTRL: Limited dimming range 10% to 100%
KI-90-033	DIN Rail Mounting Kit

5 Connectors / Interfaces

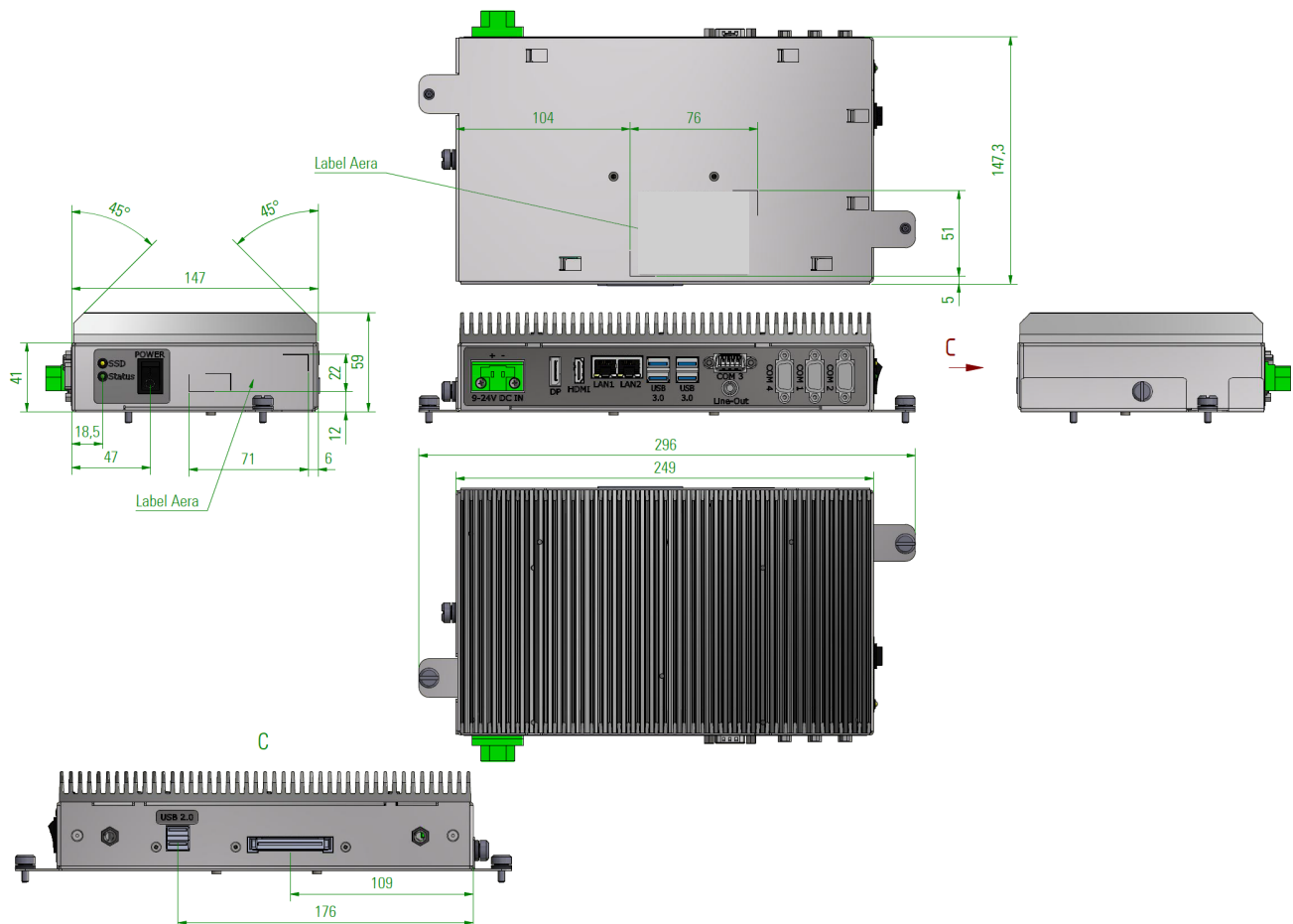
Front I/O



Rear I/O



6 Mechanical Drawing

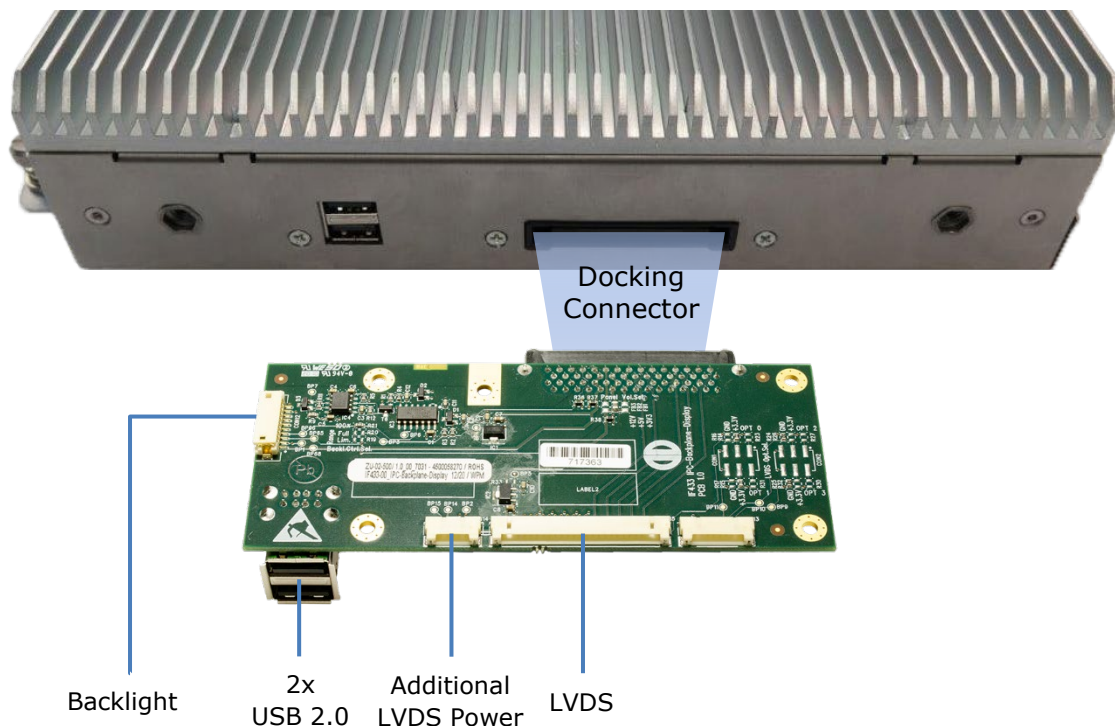


7 Operating System – Windows 10 IoT Enterprise

The Box PC comes pre-installed with a “ready-to-use” Windows 10 IoT Enterprise 2019 LTSC Standard Image for worldwide use.

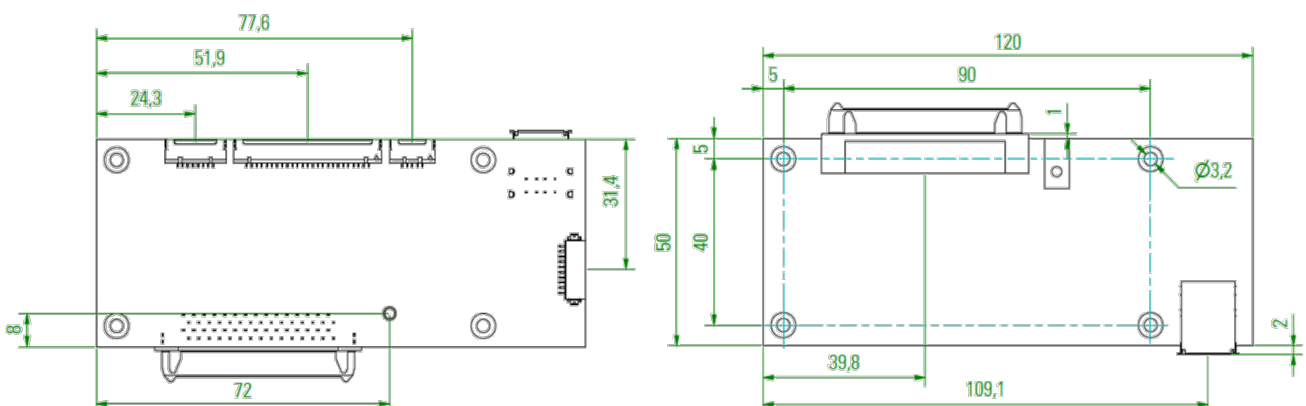
8 Docking Board

With the docking connector board, the internally used LVDS signal and further USB 2.0 can be easily led outside. With this unique standard feature, it is very easy to extend or add the Box PC to an LVDS TFT display and e.g. webcam / PCAP touch etc.

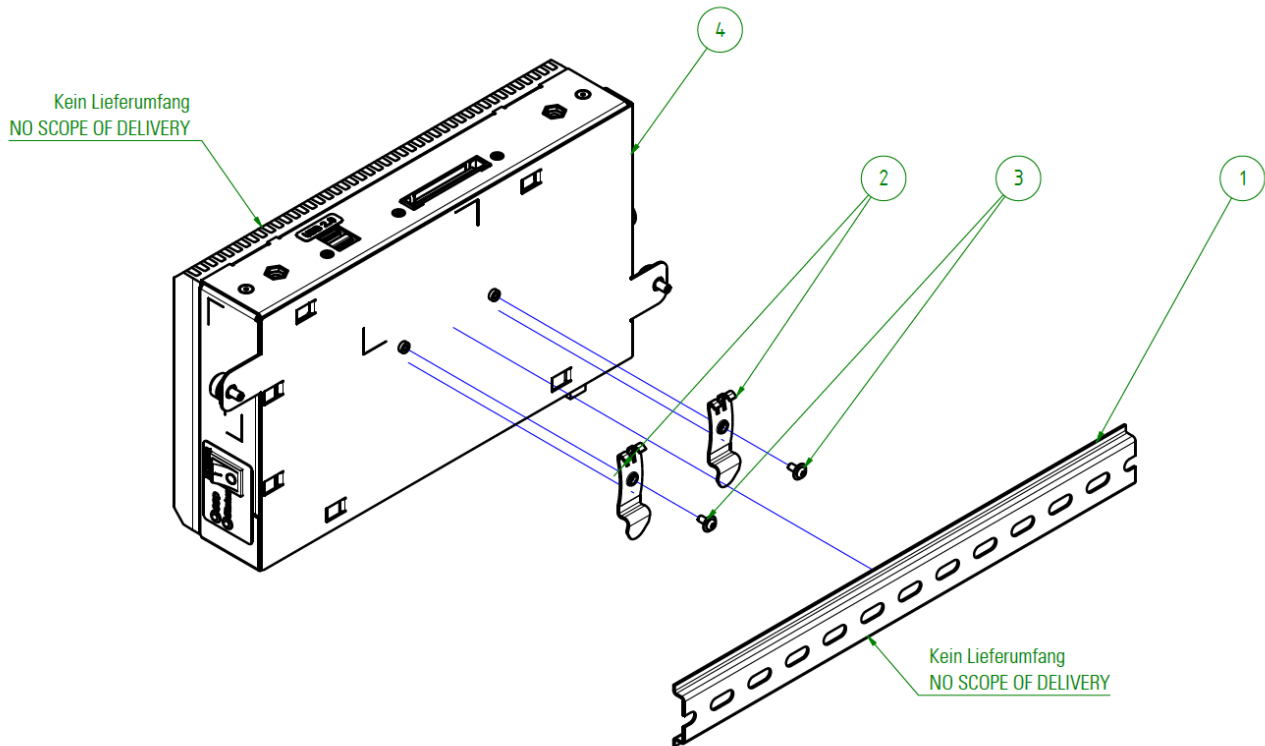


An easy exchange of the Prisma card by the docking board is possible one to one. The cables with the connectors are 100% compatible.

8.1 Docking Board Drawing

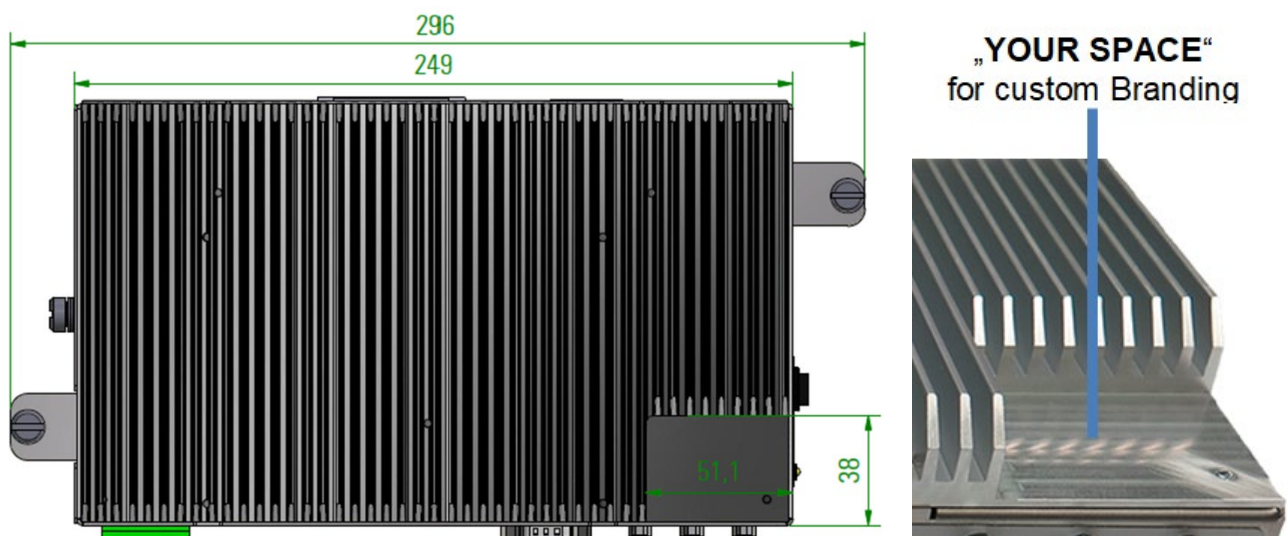


9 DIN Rail Mounting Kit (KI-90-033)

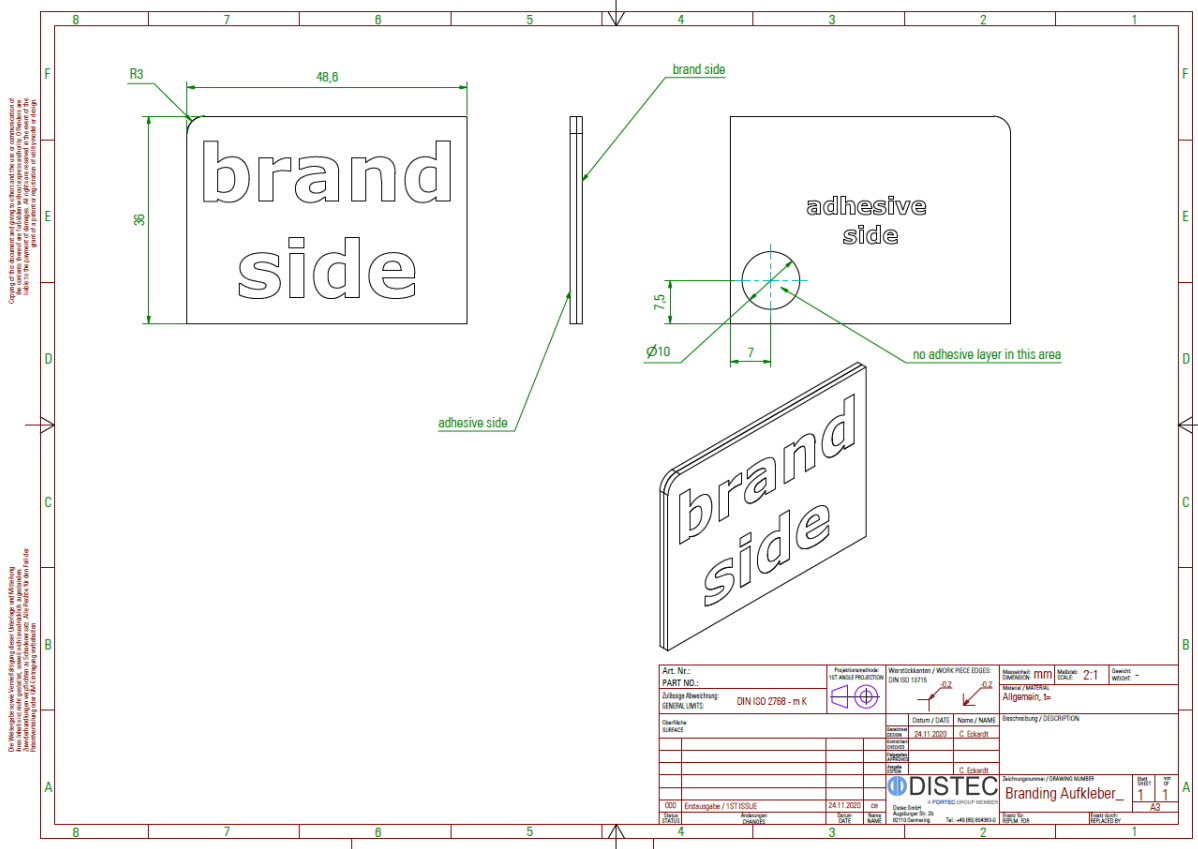


10 Custom Branding (optional on request)

On the top side of the BoxPC Pro 7300 there is an area for "Custom Branding". This area can be used for your individual logo or for easy access to your data like serial number, QR code or product name.



Maximum size for Custom Label:
48.6 x 36 mm and the radius at the left corner must be at least 3 mm.



Our company network supports you worldwide with offices in Germany, Austria, Switzerland, the UK and the USA. For more information please contact:

Headquarters

Germany



FORTEC Elektronik AG

Augsburger Str. 2b
82110 Germering

Phone: +49 89 894450-0
E-Mail: info@forteca.de
Internet: www.forteca.de

Fortec Group Members

Austria



Distec GmbH Office Vienna

Nuschinggasse 12
1230 Wien

Phone: +43 1 8673492-0
E-Mail: info@distec.de
Internet: www.distec.de

Germany



Distec GmbH

Augsburger Str. 2b
82110 Germering

Phone: +49 89 894363-0
E-Mail: info@distec.de
Internet: www.distec.de

Switzerland



ALTRAC AG

Bahnhofstraße 3
5436 Würenlos

Phone: +41 44 7446111
E-Mail: info@altrac.ch
Internet: www.altrac.ch

United Kingdom



Display Technology Ltd.

Osprey House, 1 Osprey Court
Hinchingbrooke Business Park
Huntingdon, Cambridgeshire, PE29 6FN

Phone: +44 1480 411600
E-Mail: info@displaytechnology.co.uk
Internet: www.displaytechnology.co.uk

USA



Apollo Display Technologies, Corp.

87 Raynor Avenue, Unit 1
Ronkonkoma, NY 11779

Phone: +1 631 5804360
E-Mail: info@apolloDisplays.com
Internet: www.apolloDisplays.com