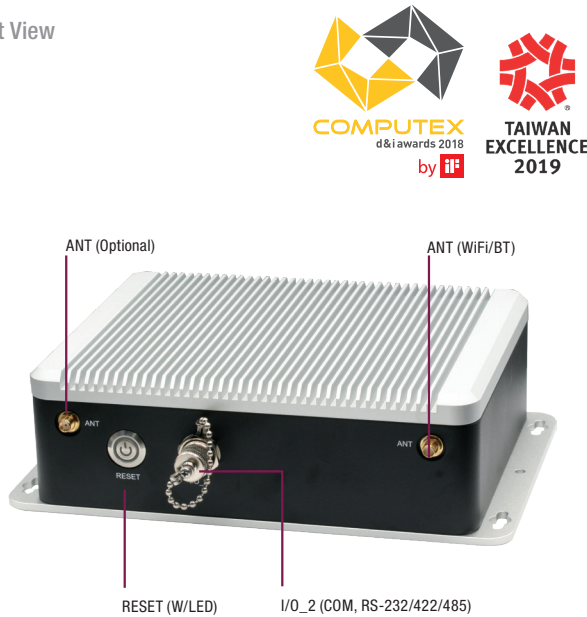
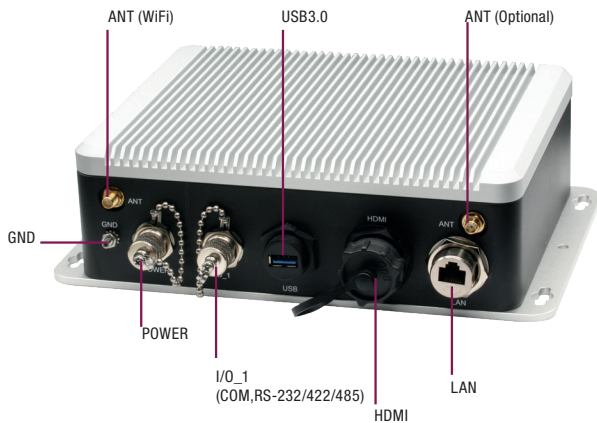


IP68 Gateway System

Front View



Rear View



Features

- IP68 Compliance Gateway System
- Intel® Atom™ E3940 Processor/Celeron® N3350 Processor
- Onboard 4GB LPDDR4 Memory
- Onboard 32 GB eMMC
- Gigabit LAN x 1, HDMI x 1
- USB3.0 x 1, RS-232 x 2
- Wi-Fi/Bluetooth Function
- Optional LORA Function, 3G, 4G LTE



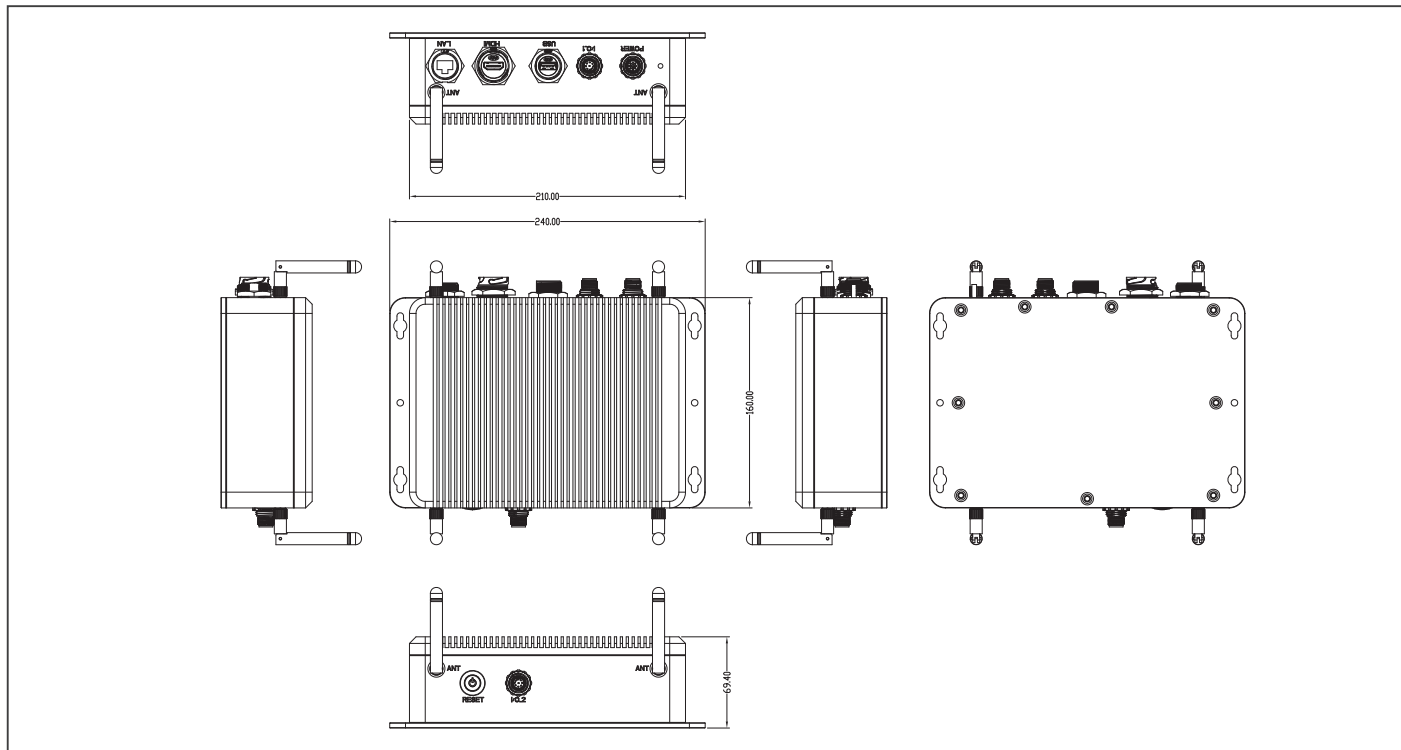
Specifications

SYSTEM	
CPU	Intel® Atom™ E3940 Processor Intel® Celeron® N3350 Processor
Chipset	Intel® System on Chip
Memory	Onboard 4GB/ 2GB LPDDR4 memory
Storage	32GB eMMC on board
Display	HDMI
Ethernet	Standard: Realtek 8111G x 1 Wide temperature: Intel i211 x 1
USB	USB 3.0 x 1
COM	RS-232/422/485 x 2
Digital I/O	—
Expansion Slot	Mini Pcie card x 1 Sim Card x 1
Indicator	—
Wi-Fi	801.11ac
Bluetooth	BT4.0
Lora	868/915 MHz (Optional)
POE	IEEE802.3 AT Standard, Max 25W Power Supply
OS Support	Microsoft Windows 10 (full), Windows IoT Core, Linux ubilinux, Ubuntu, Yocto
I/O Placements	
Front I/O	M12 Connector x 1 (RS-232) Reset button x 1 GND Screw x 1 Antenna connector x 1 Antenna x 1
Rear I/O	RJ45 Connector x 1 HDMI Connector x 1 USB 3.0 Connector x 1 M12 Connector x 1 (RS-232) Antenna connector x 1 Antenna x 1
Right Side I/O	—
Left Side I/O	—
Power	
Power Requirement	5V DC in
Mechanical	
IP	IP68
Dimesion	239.40 mm x 159.40 mm x 69.40 mm
Mounting	Wallmount
Gross Weight	7.8lb (3.5kg)
Net Weight	5.6lb (2.5kg)
Environment	
Operating Temperature	-20°C ~ 70°C (E3940), 0°C ~ 50°C (N3350)
Storage Temperature	-4°F ~ 158°F (-20°C ~ 70°C)
Storage Humidity	5~95% @ 40°C, non-condensing
Anti-Vibration	3 Grms /5 ~500Hz/Operation
Certification	CE, FCC Class A

Note: All specifications are subject to change without notice.

Dimension

Unit: mm



Ordering Information

PART NUMBER	CPU	RAM	STORAGE	LAN	USB	COM	DIGITAL I/O	DISPLAY	WiFi/BT	LoRa	MOUNTING	PoE	POWER	OPERATION TEMP.
AIOT-IP6801-A11-AP40432W	Intel® Atom™ E3940 Processor	4GB	32GB	1	3.0 x 1	RS-232 x 2	—	HDMI x 1	Wi-Fi 801.11ac+BT4.0	—	Wallmount	—	5V DC In	-4°F ~ 158°F(-20°C ~ 70°C)
AIOT-IP6801-A12-AP40432W	Intel® Atom™ E3940 Processor	4GB	32GB	1	3.0 x 1	RS-422 x 2	—	HDMI x 1	Wi-Fi 801.11ac+BT4.0	—	Wallmount	—	5V DC In	-4°F ~ 158°F(-20°C ~ 70°C)
AIOT-IP6801-A13-AP40432W	Intel® Atom™ E3940 Processor	4GB	32GB	1	3.0 x 1	RS-485 x 2	—	HDMI x 1	Wi-Fi 801.11ac+BT4.0	—	Wallmount	—	5V DC In	-4°F ~ 158°F(-20°C ~ 70°C)

Packing List

- AIOT-IP6801
- Antenna x 2

Optional Accessories

- **1255300362**
5V/6A Power Adapter
- **1702020910**
Power cord for EU
- **1702020911**
Power cord for US
- **1702020912**
Power cord for Japan
- **1702020913**
Power cord for China
- **170204100E**
Waterproof Power Cable, M12 to DC PLUG, 100cm
- **1700091002**
Waterproof COM Cable, D-SUB to M12, 100cm
- **1709081000**
Waterproof RJ45 Cable, 100cm
- **1709191000**
Waterproof HDMI Cable, Male to Male, 100cm