



OUR GLOBAL
COMPETENCE
CENTRES

 APOLLO DISPLAY
TECHNOLOGIES



 DISTEC



 DISPLAY
TECHNOLOGY



Datasheet

Tianma

TM%\$%JHG3&0%

TI-Î €-00î

MODEL NO : TM101JVHG32

MODEL VERSION: 01

SPEC VERSION : V1.0

ISSUED DATE: 2018-01-23

- Preliminary Specification**
- Final Product Specification**

Customer : _____

Approved by	Notes

TIANMA Confirmed :

Prepared by	Checked by	Approved by
Dongliang Xie	Feng Tan	Kevin Kim

This technical specification is subjected to change without notice

The information contained herein is the exclusive property of TIANMA MICRO-ELECTRONICS Corporation and shall not be distributed, reproduced, or disclosed in whole or in part without prior written permission of TIANMA MICRO-ELECTRONICS Corporation.

Table of Contents

Table of Contents	2
Record of Revision.....	3
1 General Specifications.....	4
2 Input/Output Terminals	5
3 Absolute Maximum Ratings.....	6
4 Electrical Characteristics	7
5 Timing Chart.....	10
6 Optical Characteristics	13
7 Environmental / Reliability Test.....	17
8 Mechanical Drawing	18
9 Packing Drawing	19
10 Precautions For Use of LCD Modules	22

Record of Revision

Rev	Issued Date	Description	Editor
1.0	2018-01-23	Preliminary Specification Released.	Dongliang Xie

1 General Specifications

Feature		Spec
Display Spec.	Size	10.1 inch
	Resolution	1280(RGB) x 800
	Technology Type	SFT
	Pixel Configuration	R.G.B. Vertical Stripe
	Pixel Pitch (mm)	0.1695x0.1695
	Display Mode	TM with Normally Black
	Surface Treatment(Up Polarizer)	HC
	Viewing Direction	All direction
Mechanical Characteristics	LCM (W x H x D) (mm)	LCM: 229.80x149.0
		CTP+LCM: 258.66x177.30x12.45
	Active Area(mm)	TFT LCD:216.96x135.60
		CTP: 220.36x139.00
	CTP Structure	G+G (DITO)
	CTP Touch Method	PCAP
	Number of simultaneous touches	≤ 5 points @ 7mm copper cylinders
	Minimum Touch Area	Φ 7mm
	Finger Touch Pitch	≥2.5xpitch
	With /Without TSP	With CTSP
Matching Connection Type	CN1:JAE FI-SE20P-HFE-E3000 CN2: JAE FI-S6P-HFE-E1500 CN3:MOLEX 53261-0871	
Weight (g)	TBD	
Electrical Characteristics	Interface	TFT: LVDS, 6/8bit selectable
		CTP:USB
	Color Depth	262K/16.7M
	Driver IC	TFT:ST5084*1,ST5821*3
CTP:ILI2511		

Note 1: Viewing direction for best image quality is different from TFT definition, there is a 180 degree shift.

Note 2: Requirements on Environmental Protection: Q/S0002

Note 3: LCM weight tolerance: +/- 5%

2 Input/Output Terminals

2.1 TFT LCD Panel

Connector type: CN1:JAE FI-SE20P-HFE-E3000

CN2: JAE FI-S6P-HFE-E1500 CN3:MOLEX 53261-0871

No	Symbol	I/O	Description	Comment
CN1				
1	IND3+	I	Positive LVDS Differential data input(3)	
2	IND3-	I	Negative LVDS Differential data input(3)	
3	NC	-	No Connection	
4	SEL6/8	I	6bit/8bit mode select H : 6-bit mode L : 8-bit mode	
5	VSS	P	Power Ground	
6	PINC	I	Positive LVDS Differential clock input	
7	NINC-	I	Negative LVDS Differential clock input	
8	VSS	P	Power Ground	
9	IND2+	I	Positive LVDS Differential data input(2)	
10	IND2-	I	Negative LVDS Differential data input(2)	
11	VSS	P	Power Ground	
12	IND1+	I	Positive LVDS Differential data input(1)	
13	IND1-	I	Negative LVDS Differential data input(1)	
14	VSS	P	Power Ground	
15	IND0+	I	Positive LVDS Differential data input(0)	
16	IND0-	I	Negative LVDS Differential data input(0)	
17	VSS	P	Power Ground	
18	NC	-	No Connection	
19	VDD	P	Power Supply	
20	VDD	P	Power Supply	
CN2				
1	VLED	P	Backlight power supply	
2	VLED	P	Backlight power supply	
3	VLSS	P	VLED Ground	
4	VLSS	P	VLED Ground	
5	LED_EN	I	Backlight on/off control	
6	LED_PWM	I	Backlight dimming control	
CN3				
1	VDD1	P	Power for ctp	
2	D-	I/O	USB data- pin	
3	D+	I/O	USB data+ pin	
4	VSS1	P	Power Ground	
5	NC	-	No Connection	
6	NC	-	No Connection	
7	NC	-	No Connection	
8	NC	-	No Connection	

Note: I/O definition: I----Input O-----output P----Power/Ground

The information contained herein is the exclusive property of TIANMA MICRO-ELECTRONICS Corporation and shall not be distributed, reproduced, or disclosed in whole or in part without prior written permission of TIANMA MICRO-ELECTRONICS Corporation.

3 Absolute Maximum Ratings

3.1 Driving TFT LCD Panel

GND=0V

Item	Symbol	MIN	MAX	Unit	Remark
Voltage Input	VDD	-0.50	5.00	V	Note1
Operating Temperature	T _{op}	-20.0	70.0	°C	
Storage Temperature	T _{st}	-30.0	80.0	°C	
Relative Humidity (Note2)	RH	--	≤95	%	Ta≤40°C
		--	≤85	%	40°C < Ta ≤ 50°C
		--	≤55	%	50°C < Ta ≤ 60°C
		--	≤36	%	60°C < Ta ≤ 70°C
		--	≤24	%	70°C < Ta ≤ 80°C
Absolute Humidity	AH	--	≤70	g/m ³	Ta > 70°C

Table 3.1 absolute maximum rating

Note1: Input voltage include Rxin0-/+, Rxin1-/+, Rxin2-/+, Rxin3-/+, RxCLK-/+, SEL6/8,VDD.

Note2: Ta means the ambient temperature.

It is necessary to limit the relative humidity to the specified temperature range.

Condensation on the module is not allowed.

3.2 CTP absolute Maximum Ratings

Item	Symbol	Min.	Max	Unit	Remark
Input Voltage	VDD1	-0.3	5.5	V	
Operating Temperature	T _{OPR}	-20	70	°C	
Storage Temperature	T _{STG}	-30	80	°C	

Table 3.2 CTP absolute Maximum Ratings

4 Electrical Characteristics

4.1 Driving TFT LCD Panel

VDD=3.3V,GND=0V, Ta=25°C

Item	Symbol	MIN	TYP	MAX	Unit	Remark
Power supply Voltage	VDD	3.00	3.30	3.60	V	
Power supply ripple	Vp-p	-	-	100	mV	
Power supply current	IDD	-	280	-	mA	
Power consumption	P	-	924	-	mW	Note1
Differential input voltage	Vid	200	-	600	mV	
Differential input common voltage	Vcom	-	1.2	-	V	
Differential input threshold voltage	Low level	VTL	-100	-	-	mV
	High level	VTH	-	-	100	mV
Inrush current	Irush	-	-	1.5	A	

Table 4.1 LCD module electrical characteristics

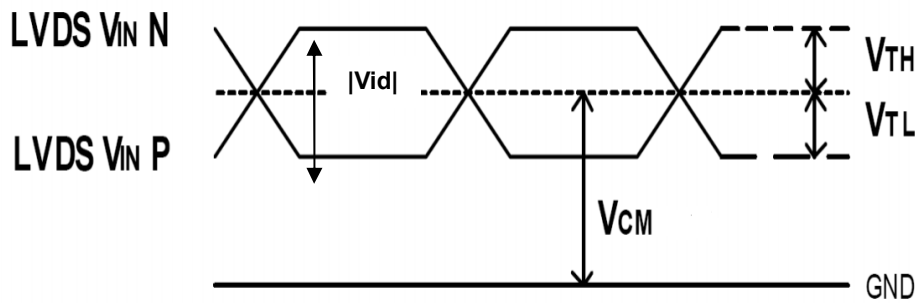


Figure4.1 LVDS DC characteristics

Note1: To test the current dissipation, using the “color bar” testing pattern shown as below:

1. White
2. Yellow
3. Cyan
4. Green
5. Magenta
6. Red
7. Blue
8. Black

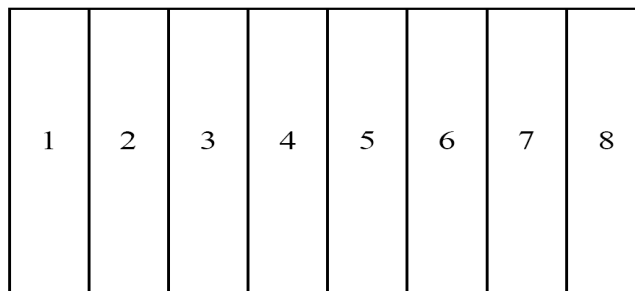


Figure 4.1.2 Current dissipation testing pattern

4.2 CTP recommended Operating Condition

 (T_A= 25°C,VDD1=5.0V)

Item	Min	Typ	Max	Unit	Note
Power supply voltage	4.7	5.0	5.3	V	
IO voltage	4.7	5.0	5.3	V	1
Operating mode current	--	TBD	100	mA	2

Note1: If there are other voltage requirements, can be realized by changing the design, the adjustable range is 4.7V to 5.3V.

Note2: All current measurement is average current at Operating mode.
condition (T_a=25°C,VDD1=5V)

No.	Item	Specification	NOTE
1	Linearity	±1.5mm at the center · 2.0mm at the border	Copper stick Φ7
2	Veracity	±1.5mm at the center · 2.0mm at the border	Copper stick Φ7
3	Sensitivity	±1.5mm at the center · 2.0mm at the border	Copper stick Φ7

4.3 Driving Backlight

 T_a=25°C

Item	Symbol	Min	Typ	Max	Unit	Remark	
Backlight power supply voltage	VLED	11.5	12	12.5	V		
Backlight power supply current	I_LED	-	680	-	mA		
Backlight power consumption	P_LED	-	8160	-	mW		
Input voltage for VLED_PWM signal	High level	-	2.0	-	5.0	V	
	Low level	-	0	-	0.4	V	
Input voltage for VLED_EN	High level	-	2.0	-	5.0	V	
	Low level	-	0	-	0.4	V	
VLED_PWM frequency	Fpwm	200	-	10k	HZ		
VLED_PWM duty	D	0.2		100	%	Note1	
Operating Life Time	--	--	50000	--	hrs	Note2	

Note 1: According to LED driver IC characteristics, the minimum value of VLED_PWM duty may vary with VLED_PWM frequency, higher the frequency, bigger the duty.

Note 2: Optical performance should be evaluated at T_a=25°C only.

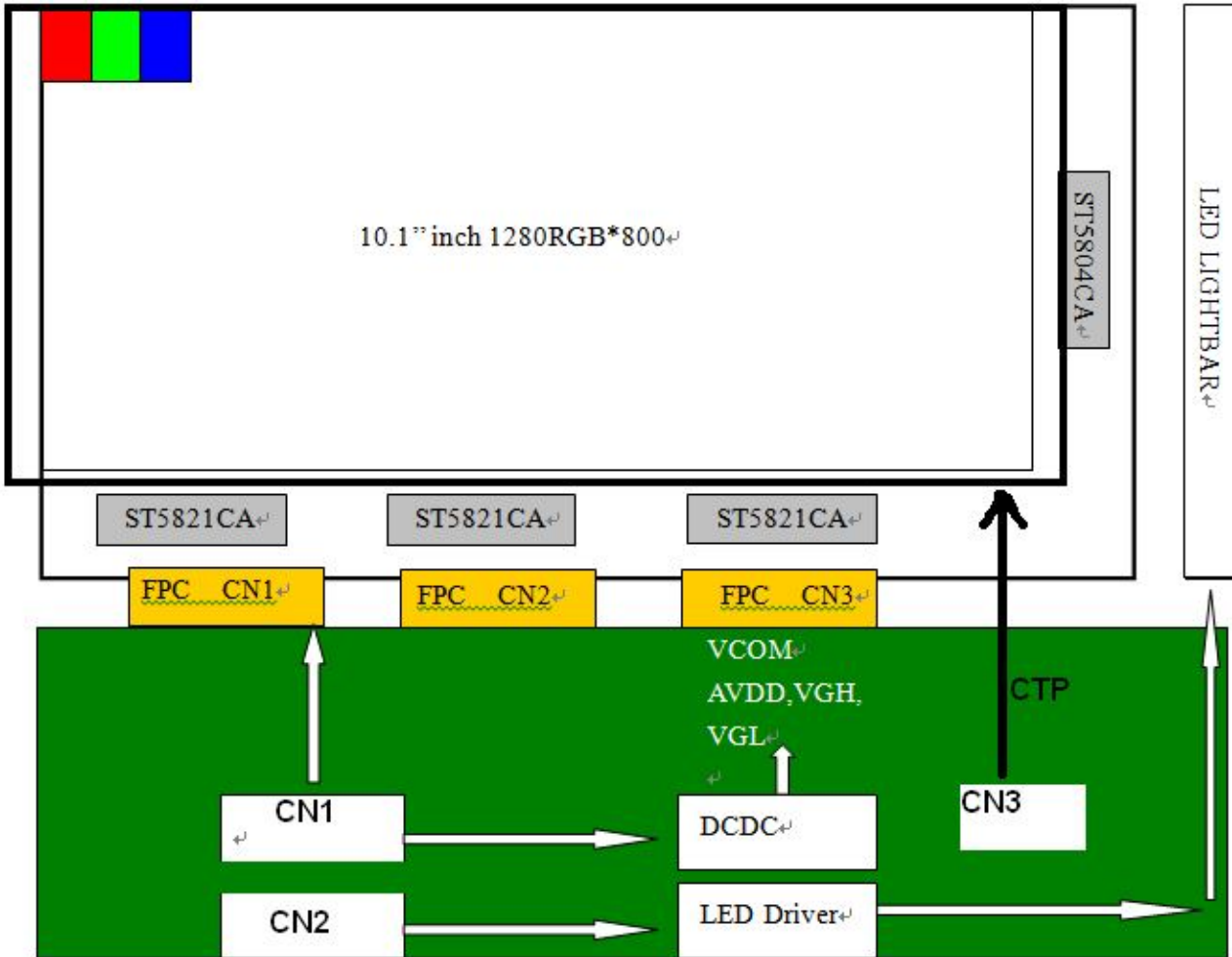
If LED is driven by high current, high ambient temperature & humidity condition. The life time of LED will be reduced.

Operating life means brightness goes down to 50% of initial brightness.

Typical operating life time is estimated data.

The information contained herein is the exclusive property of TIANMA MICRO-ELECTRONICS Corporation and shall not be distributed, reproduced, or disclosed in whole or in part without prior written permission of TIANMA MICRO-ELECTRONICS Corporation.

4.4 Block Diagram



5 Timing Chart

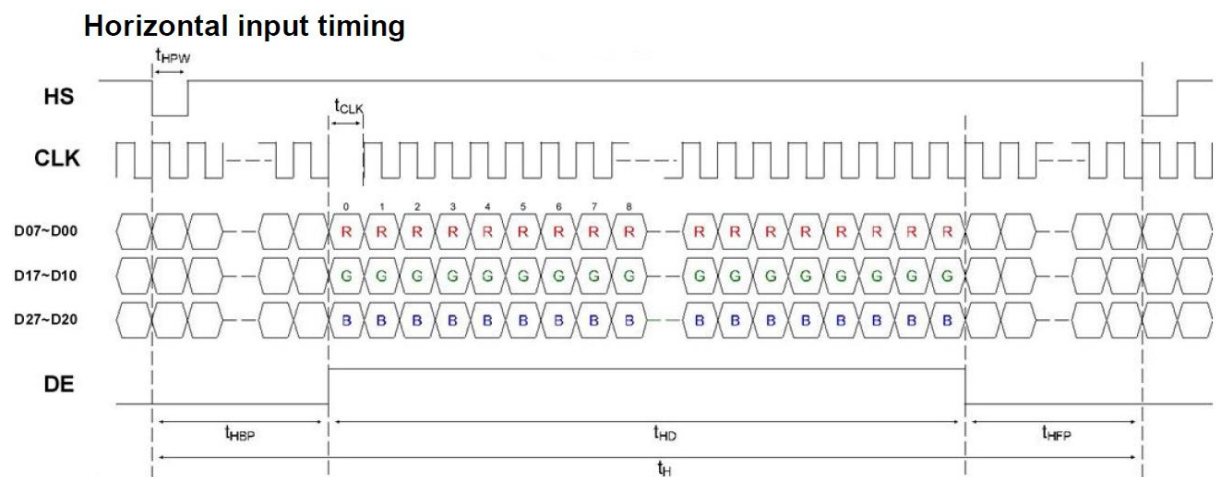
5.1 LVDS signal timing characteristics

VDD=3.3V, GND=0V, Ta=25°C

Parameter	Symbol	Min	Typ	Max	Unit	Remark
CLK frequency	$1/t_{clk}$	62.6	68.2	78.1	MHz	
Horizontal blanking time	t_{HBT}	20	69	164	tclk	$t_{hbp} + t_{HFP}$
Horizontal back porch	t_{HBP}	-	5	164- t_{HFP}	tclk	
Horizontal display area	t_{HD}	-	1280	-	tclk	
Horizontal front porch	t_{HFP}	15	64	159	tclk	
Horizontal period	t_H	1300	1349	1444	tclk	
Horizontal pulse width	t_{HPW}	-	1	256	tclk	
Vertical blanking time	t_{VBT}	5	42	101	tH	$t_{vbp} + t_{VFP}$
Vertical back porch	t_{VBP}	-	2	101- t_{VFP}	tH	
Vertical display area	t_{VD}	-	800	-	tH	
Vertical front porch	t_{VFP}	3	40	99	tH	
Vertical period	t_V	803	842	901	tH	
Vertical pulse width	t_{VPW}	-	1	128	tH	
Frame Rate	F	-	60	-	HZ	

Table 5.1 timing parameter

5.2 Input Clock and Data timing Diagram:



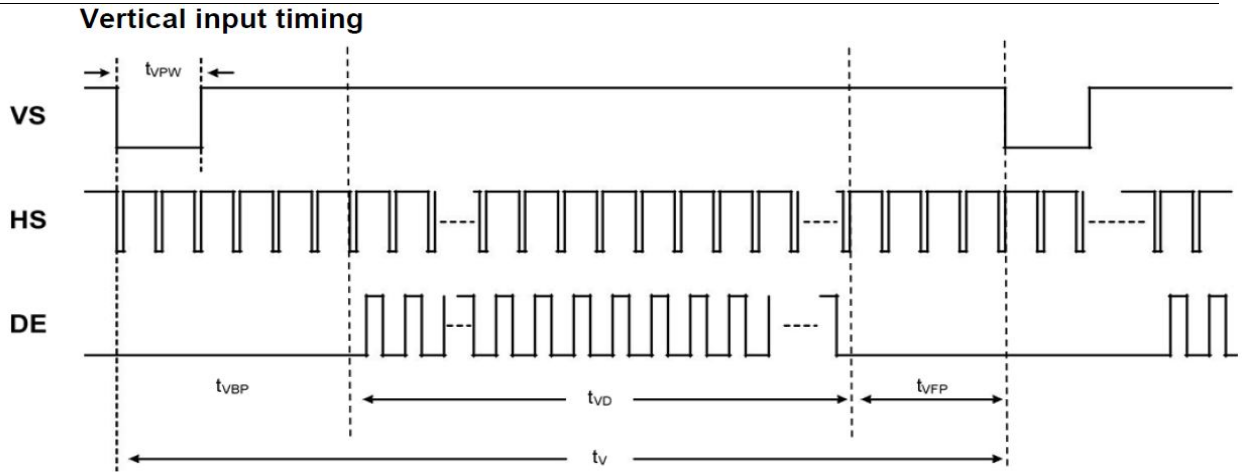
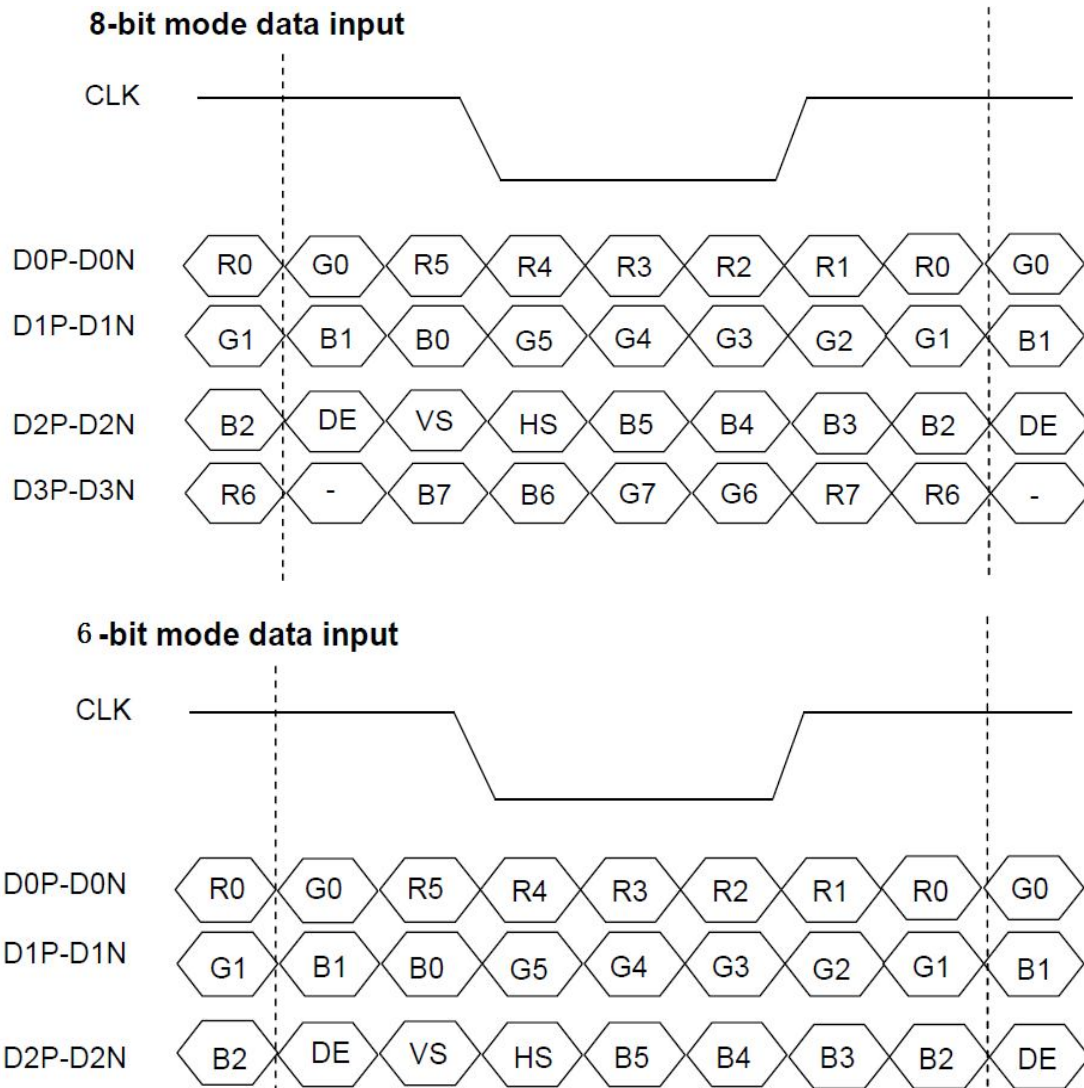


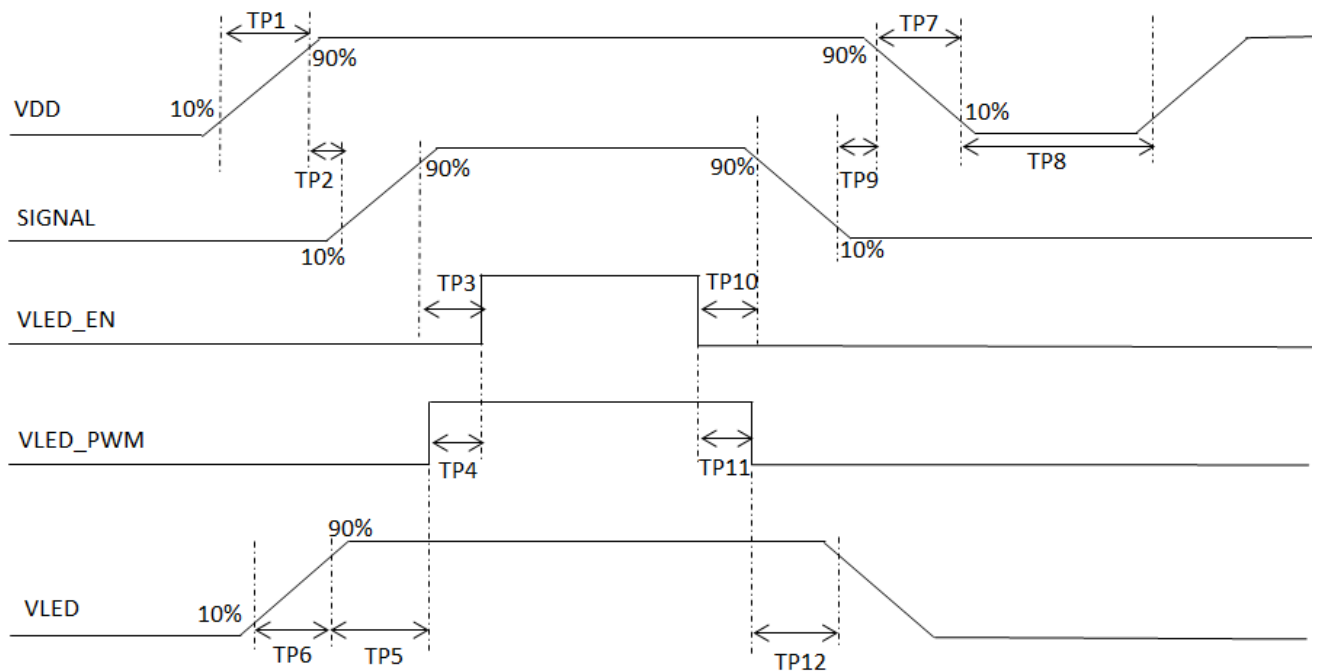
Figure 5.2 Input signal data timing

5.3 LVDS data input format



5.4 Power On/Off Sequence

Item	Symbol	Min	Typ	Max	Unit	Remark
VDD on to VDD stable	Tp1	0.5	-	10	ms	
VDD stable to signal on	Tp2	0	-	50	ms	
Signal on to VLED_EN on	Tp3	200	-	-	ms	
PWM on to VLED_EN on	Tp4	0	-	200	ms	
VLED to PWM on	Tp5	10	-	-	ms	
VLED on to VLED stable	Tp6	0.5	-	10	ms	
VDD off time	Tp7	0	-	10	ms	
VDD off to next VDD on	Tp8	500	-	-	ms	
Signal off before VDD off	Tp9	0	-	50	ms	
VLED_EN off before signal off	Tp10	200	-	-	ms	
VLED_EN off before PWM off	Tp11	0	-	200	ms	
PWM off before VLED off	Tp12	10	-	-	ms	

Table 5.4 Power on/off sequence

Figure 5.4 Interface power on/off sequence

6 Optical Characteristics

Ta=25°C

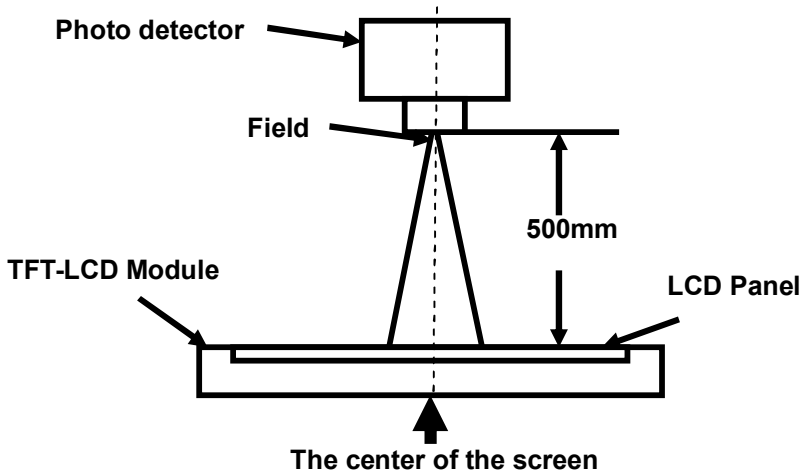
Item	Symbol	Condition	Min	Typ	Max	Unit	Remark	
View Angles	θT	$CR \geq 10$	75	85	-	Degree	Note 2	
	θB		75	85	-			
	θL		75	85	-			
	θR		75	85	-			
Contrast Ratio	CR	$\theta=0^\circ$	500	700	-	-	Note1 Note3	
Response Time	$T_{ON}+T_{OFF}$	25°C	-	25	40	ms	Note1 Note4	
Chromaticity	White	Backlight is on	x	0.252	0.302	0.352	-	Note5 Note1
			y	0.277	0.327	0.377		
	Red		x	0.532	0.582	0.632		
			y	0.274	0.324	0.374		
	Green		x	0.300	0.350	0.400		
			y	0.532	0.582	0.632		
	Blue		x	0.104	0.154	0.204		
			y	0.044	0.094	0.144		
Uniformity	U	-	75	80	-	%	Note1 Note6	
NTSC	-	-	45	50	-	%	Note 5	
Luminance	L		700	850	-	cd/m ²	Note1 Note7	

Test Conditions:

1. The ambient temperature is $25 \pm 2^\circ\text{C}$. humidity is $65 \pm 7\%$
2. The test systems refer to Note 1 and Note 2.

Note 1: Definition of optical measurement system.

The optical characteristics should be measured in dark room. After 5 minutes operation, the optical properties are measured at the center point of the LCD screen. All input terminals LCD panel must be ground when measuring the center area of the panel.



Note 2: Definition of viewing angle range and measurement system.

viewing angle is measured at the center point of the LCD.

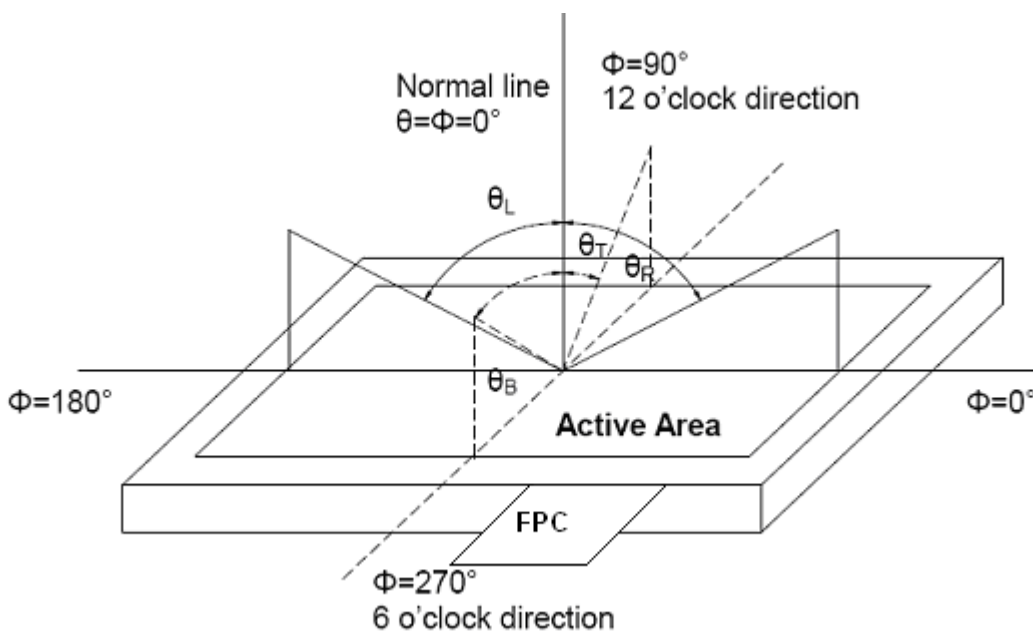


Fig. 1 Definition of viewing angle

Note 3: Definition of contrast ratio

$$\text{Contrast ratio (CR)} = \frac{\text{Luminance measured when LCD is on the "White" state}}{\text{Luminance measured when LCD is on the "Black" state}}$$

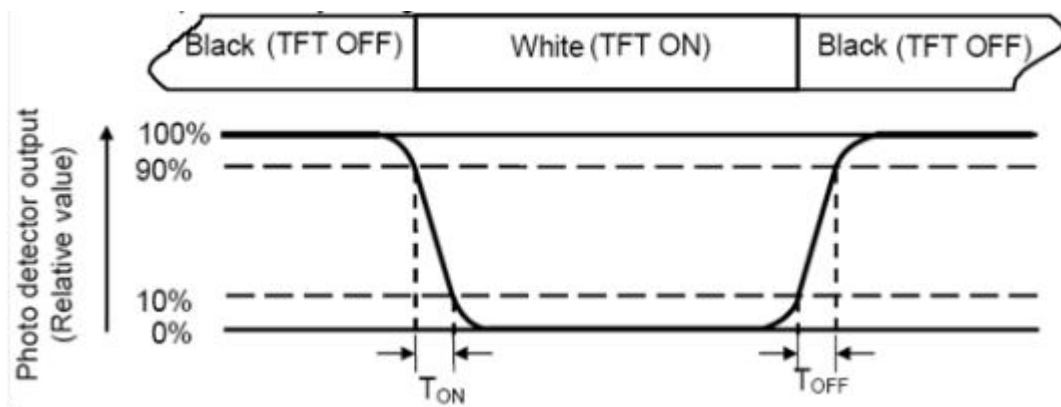
“White state “:The state is that the LCD should driven by Vwhite.

“Black state”: The state is that the LCD should driven by Vblack.

Vwhite: To be determined Vblack: To be determined.

Note 4: Definition of Response time

The response time is defined as the LCD optical switching time interval between “White” state and “Black” state. Rise time (TON) is the time between photo detector output intensity changed from 90% to 10%. And fall time (TOFF) is the time between photo detector output intensity changed from 10% to 90%.



Note 5: Definition of color chromaticity (CIE1931)

Color coordinates measured at center point of LCD.

Note 6: Definition of Luminance Uniformity

Active area is divided into 9 measuring areas (Refer Fig. 2). Every measuring point is placed at the center of each measuring area.

Luminance Uniformity (U) = L_{min} / L_{max}

L-----Active area length W----- Active area width

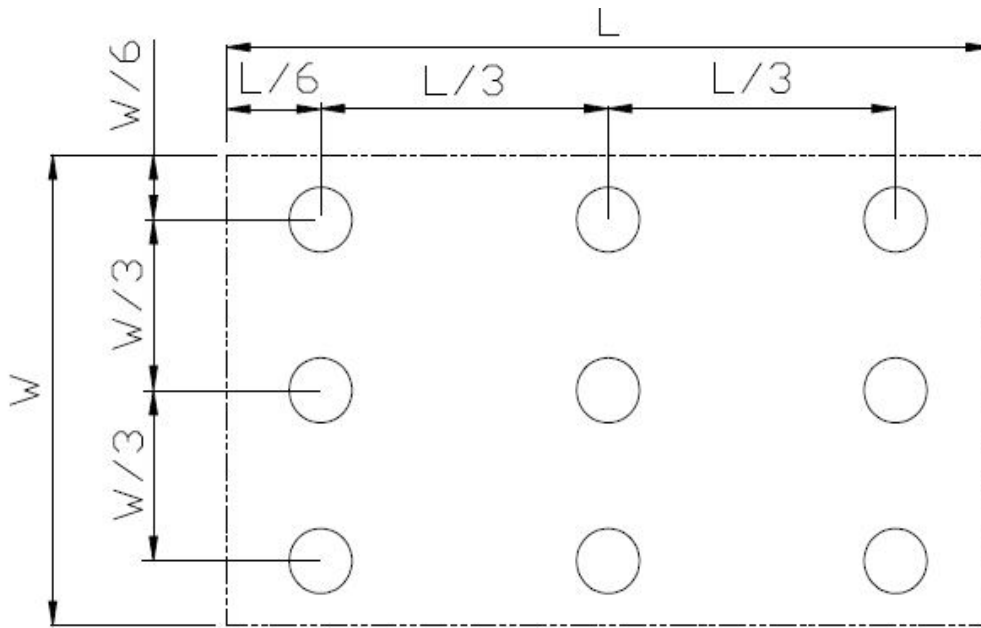


Fig. 2 Definition of uniformity

L_{max} : The measured maximum luminance of all measurement position.

L_{min} : The measured minimum luminance of all measurement position.

Note 7: Definition of Luminance:

Measure the luminance of white state at center point.

7 Environmental / Reliability Test

No	Test Item	Condition	Remark
1	High Temperature Operation	Ts=+70°C, 240hrs	(Note1) IEC60068-2-1:2007 GB2423.2-2008
2	Low Temperature Operation	Ta=-20°C, 240hrs	IEC60068-2-1:2007 GB2423.1-2008
3	High Temperature Storage (non-operation)	Ta=+80°C, 240hrs	IEC60068-2-1:2007 GB2423.2-2008
4	Low Temperature Storage (non-operation)	Ta=-30°C, 240hrs	IEC60068-2-1:2007 GB2423.1-2008
5	High Temperature & High Humidity Operation	Ta = +60°C, 90% RH max,240 hours	(Note2) IEC60068-2-78 :2001 GB/T2423.3—2006
6	Thermal Shock (non-operation)	-30°C 30 min~+80°C 30 min, Change time:5min,100cycles	Start with cold temperature, End with high temperature, IEC60068-2-14:1984,GB2423.22-2002
7	Electro Static Discharge (operation)	C=150pF,R=330Ω,5point/panel Air:±8Kv,5times; Contact:±4Kv,5times (Environment:15°C~35°C, 30%~60%.86Kpa~106Kpa)	IEC61000-4-2:2001 GB/T17626.2-2006
8	Package Drop Test	Height: TBD cm 1 corner, 3 edges, 6 surfaces	IEC60068-2-32:1990 GB/T2423.8—1995

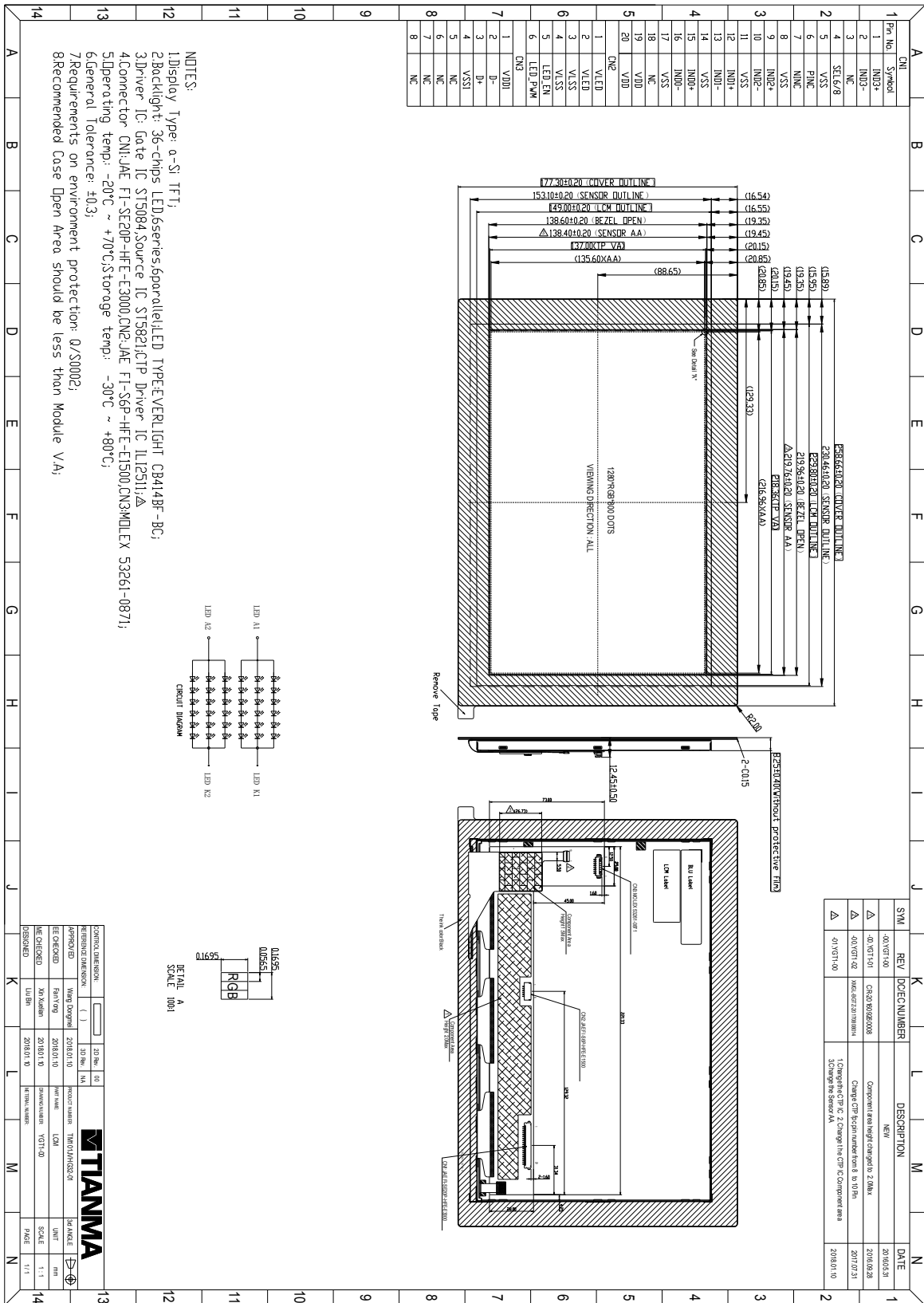
Note1: Ts is the temperature of panel's surface.

Note2: Ta is the ambient temperature of sample.

Note3: Before cosmetic and function test, the product must have enough recovery time, at least 24 hours at room temperature.

Note 4: In the standard condition, there shall be no practical problem that may affect the display function. After the reliability test, the product only guarantees operation, but don't guarantee all of the cosmetic specification.

8 Mechanical Drawing



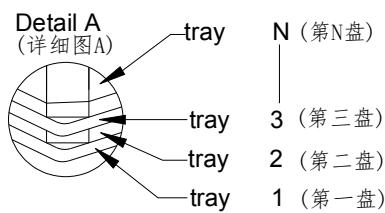
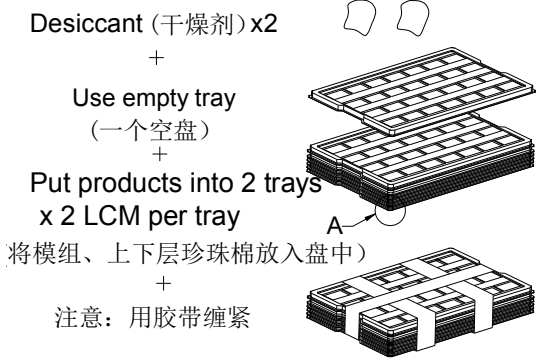
The information contained herein is the exclusive property of TIANMA MICRO-ELECTRONICS Corporation and shall not be distributed, reproduced, or disclosed in whole or in part without prior written permission of TIANMA MICRO-ELECTRONICS Corporation.

9 Packing Drawing

No	Item	Model (Material)	Dimensions(mm)	Unit Weight(Kg)	Quantity	Remark
1	LCM module	TM101JVHG32-01	258.66x177.3x12.45	TBD	12	
2	Tray	PET(Transmit)	485×330×21mm	0.224	9	
3	EPE	EPE	485X330X5mm	0.0195	3	
4	Vacuum Bag	PE	600×500×0.08mm	0.05	3	
5	BOX	Corrugated Paper	520×345×74mm	0.3879	3	
6	Desiccant	Desiccant	45×35mm	0.002	6	
7	Label	Paper	100×52mm	0.0001	1	
8	Carton	Corrugated paper	544×365×250mm	1.01	1	
9	Pearl cotton	TM101JVHG32-00 YPF1-00	291.29×247.66×1	0.0013	6	
10	Pearl cotton	TM101JVHG32-00 YPF2-00	393.79×257.46×1	0.002	6	
11	Total weight(Kg)	TBD kg ± 5%				

The packing method is shown as below:

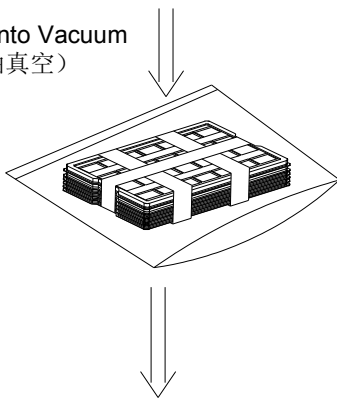
9.1 Dummy packing assembling



Rotate tray 180 degrees and place on top of stack. Check the tray using Fig.A.

(旋转盘180° 并放在堆叠盘上面, 按图A检查盘是否错开放置。)

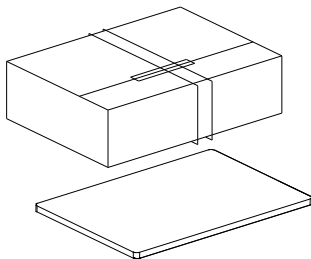
3 Trays into Vacuum bag (不抽真空)



Use strap (用胶带固定)

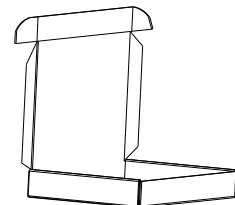
+

EPE (珍珠棉)

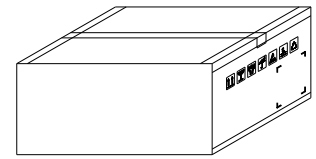


Put into box (放入彩盒中)

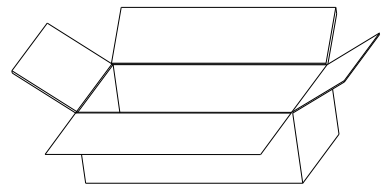
box (彩盒)



The tape to seal carton (胶带密封纸箱)



carton (纸箱)

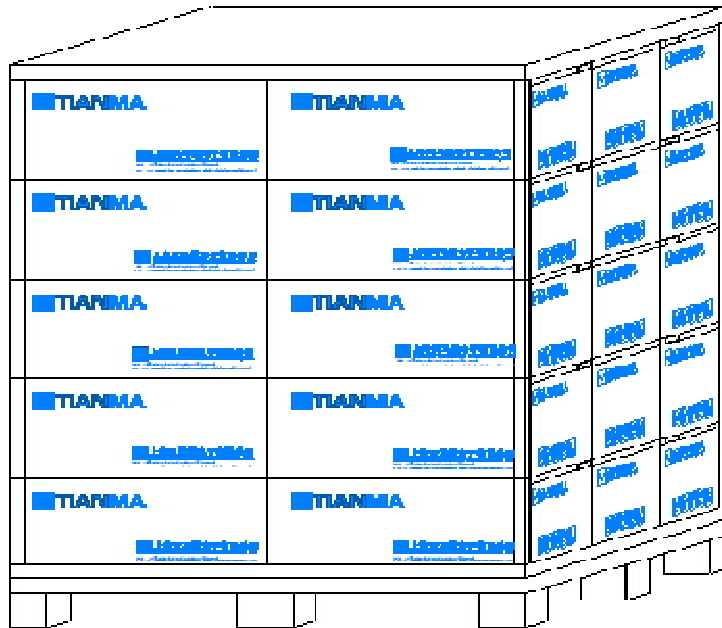


Put into carton
 3x2x2=12 LCM per Carton
 (放入纸箱中)

3 box (3盒模组)



9.2 Stacking method(2x3x5)



10 Precautions For Use of LCD Modules

10.1 Handling Precautions

- 10.1.1 The display panel is made of glass. Do not subject it to a mechanical shock by dropping it from a high place, etc.
- 10.1.2 If the display panel is damaged and the liquid crystal substance inside it leaks out, be sure not to get any in your mouth, if the substance comes into contact with your skin or clothes, promptly wash it off using soap and water.
- 10.1.3 Do not apply excessive force to the display surface or the adjoining areas since this may cause the color tone to vary.
- 10.1.4 The polarizer covering the display surface of the LCD module is soft and easily scratched. Handle this polarizer carefully.
- 10.1.5 If the display surface is contaminated, breathe on the surface and gently wipe it with a soft dry cloth. If still not completely clear, moisten cloth with one of the following solvents:
 - Isopropyl alcohol
 - Ethyl alcoholSolvents other than those mentioned above may damage the polarizer. Especially, do not use the following:
 - Water
 - Ketone
 - Aromatic solvents
- 10.1.6 Do not attempt to disassemble the LCD Module.
- 10.1.7 If the logic circuit power is off, do not apply the input signals.
- 10.1.8 To prevent destruction of the elements by static electricity, be careful to maintain an optimum work environment.
 - 10.1.8.1 Be sure to ground the body when handling the LCD Modules.
 - 10.1.8.2 Tools required for assembly, such as soldering irons, must be properly ground.
 - 10.1.8.3 To reduce the amount of static electricity generated, do not conduct assembly and other work under dry conditions.
 - 10.1.8.4 The LCD Module is coated with a film to protect the display surface. Be care when peeling off this protective film since static electricity may be generated.

10.2 Storage Precautions

- 10.2.1 When storing the LCD modules, avoid exposure to direct sunlight or to the light of fluorescent lamps.
- 10.2.2 The LCD modules should be stored under the storage temperature range. If the LCD modules will be stored for a long time, the recommend condition is:
Temperature : 0°C ~ 40°C Relatively humidity: ≤80%
- 10.2.3 The LCD modules should be stored in the room without acid, alkali and harmful gas.

10.3 Transportation Precautions

The LCD modules should be no falling and violent shocking during transportation, and also should avoid excessive press, water, damp and sunshine.

Our company network supports you worldwide with offices in Germany, Austria, Switzerland, the UK and the USA. For more information please contact:

Headquarters

Germany



FORTEC Elektronik AG

Lechwiesenstr. 9
86899 Landsberg am Lech

Phone: +49 8191 91172-0
E-Mail: sales@forteca.de
Internet: www.forteca.de

Fortec Group Members

Austria



FORTEC Elektronik AG

Office Vienna

Nuschinggasse 12
1230 Wien

Phone: +43 1 8673492-0
E-Mail: office@fortec.at
Internet: www.fortec.at

Germany



Distec GmbH

Augsburger Str. 2b
82110 Germering

Phone: +49 89 894363-0
E-Mail: info@distec.de
Internet: www.distec.de

Switzerland



ALTRAC AG

Bahnhofstraße 3
5436 Würenlos

Phone: +41 44 7446111
E-Mail: info@altrac.ch
Internet: www.altrac.ch

United Kingdom



Display Technology Ltd.

Osprey House, 1 Osprey Court
Hichingbrooke Business Park
Huntingdon, Cambridgeshire, PE29 6FN

Phone: +44 1480 411600
E-Mail: info@displaytechnology.co.uk
Internet: www.displaytechnology.co.uk

USA



Apollo Display Technologies, Corp.

87 Raynor Avenue,
Unit 1 Ronkonkoma,
NY 11779

Phone: +1 631 5804360
E-Mail: info@apolloDisplays.com
Internet: www.apolloDisplays.com