



OUR GLOBAL  
COMPETENCE  
CENTRES

 APOLLO DISPLAY  
TECHNOLOGIES



 DISTEC



 DISPLAY  
TECHNOLOGY



# Datasheet

## Kyocera

**T-5) &\* ) GD0) +J-LW-5 : N**

KY-01-0F2

# LCD Module Technical Specification

First Edition  
Aug. 26, 2013

Final Revision

Type No. **T-55265GD057J-LW-AFN**

Customer : **Bernecker + Rainer Industrie-Elektronik Ges.m.b.H.**

Customer's Product No : -----

## KYOCERA Display Corporation

Approved: **Takafumi Nomura**  
QUALITY ASSURANCE DIVISION

Checked: **Atsushi Nagatani**  
China Design

Prepared: **Chao Zhang**  
China Design

**APPROVED**

By

Signature :

Date :

Please return this specification within two month with your signature.  
If not returned within two month, specification will be considered  
as having been accepted.

# Table of Contents

- 1. Application..... 3
- 2. General Specifications..... 3
- 3. Operating Conditions ..... 3
- 4. Dimensional Outline ..... 4
- 5. Block Diagram..... 5
- 6. I/O Terminal..... 6
- 7. Electrical Specifications..... 8
- 8. Optical Specifications ..... 15
- 9. Test ..... 21
- 10. Appearance Standards..... 22
- 11. Code System of Production Lot ..... 25
- 12. Type Number..... 25
- 13. Applying Precautions ..... 25
- 14. Precautions Relating Product Handling..... 26
- 15. Warranty..... 28

# Revision History

| Rev. | Date | Page | Comment |
|------|------|------|---------|
|      |      |      |         |

## 1. Application

This specification applies to 5.7" color TFT-LCD module (T-55265GD057J-LW-AFN).

## 2. General Specifications

|                    |   |  |
|--------------------|---|--|
| Dot Pixels         | : | 320×3 [R.G.B] (W) × 240 (H) dots   |
| Dot Size           | : | 0.12×3 [R.G.B] (W) × 0.36 (H) mm   |
| Pixel Arrangement  | : | RGB-Stripe   |
| Color Depth        | : | 262,144 colors   |
| Viewing Area       | : | 117.88 (W) × 88.24 (H) mm  |
| Outline Dimensions | : | 144.0 (W) × 104.6* (H) × 13.5max. (D) mm<br>* Without LED Cable  |
| Weight             | : | 255.0g max.  |
| LCD Type           | : | ATS-25837<br>(TFT / Normally white-mode / Transmissive)  |
| Viewing Angle      | : | 6:00 (Angle of Least Color Inversion)  |
| Interface          | : | 18-bit RGB interface(6-bit / color)  |
| Backlight          | : | LED Backlight / White  |
| Lead free          | : | Our product corresponds to lead free.<br>Lead free is defined as below:<br>1) The solder used in the LCD module.<br>2) Electrical components (Terminal section) used in the LCD module.<br>Any lead used within the electrical component does not apply to our module definition of lead free. |
| RoHS regulation    | : | To our best knowledge, this product satisfies material requirement of RoHS regulation.<br>Our company is doing the best efforts to obtain the equivalent certificate from our suppliers.   |

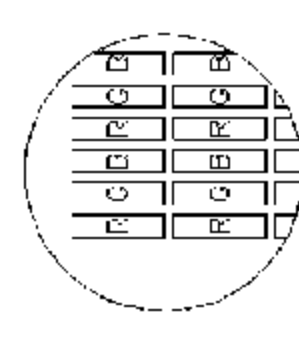
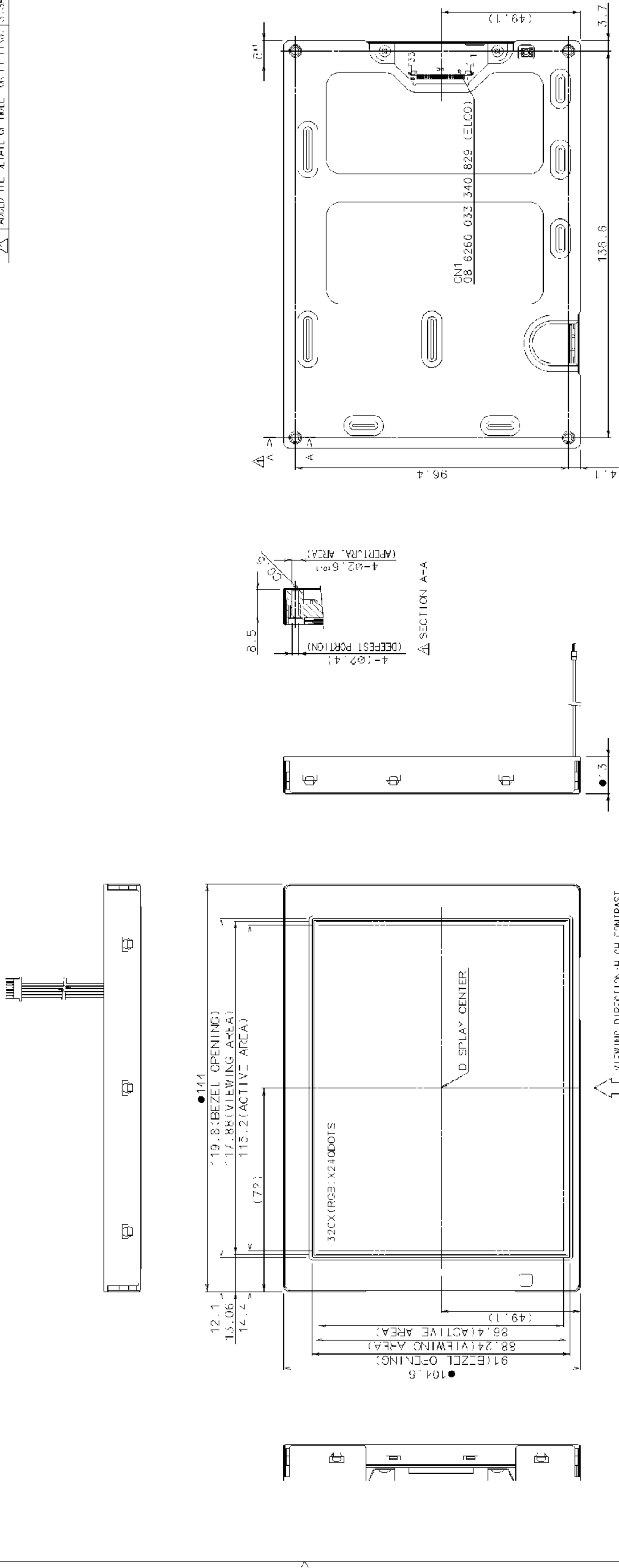
## 3. Operating Conditions

| Item                        | Conditions  | Temperature Range | Remark |
|-----------------------------|-------------|-------------------|--------|
| Operating Temperature Range | PNL Surface | -20~70°C          | Note1  |
| Storage Temperature Range   | PNL Surface | -30~80°C          |        |

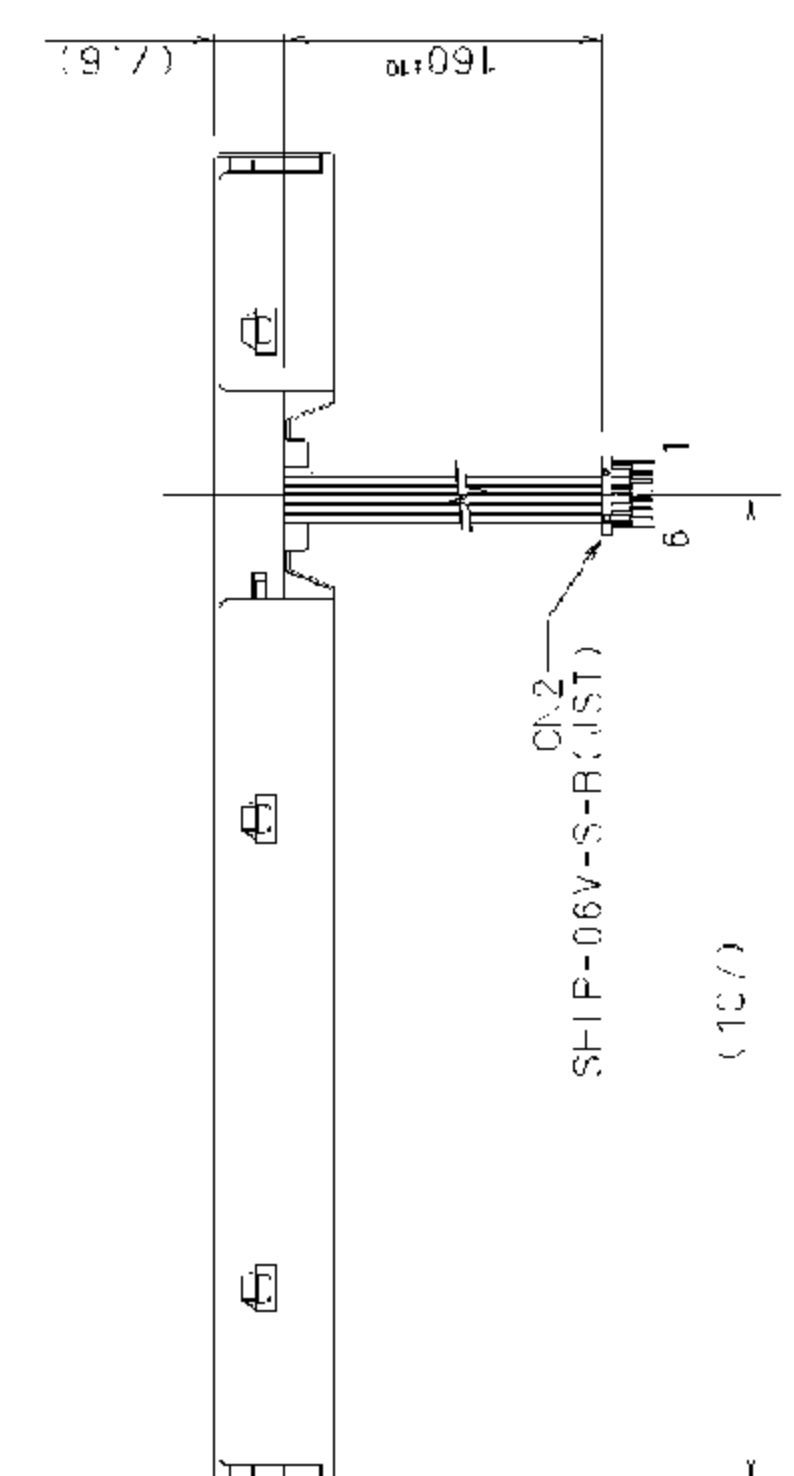
Note1: Operating temperature range defines the operation only and the contrast, response time and other display optical characteristics are set at Ta=+25°C.

# 4. Dimensional Outline

| ISSUE | REVISIONS                             | DRAWN  | DATE      |
|-------|---------------------------------------|--------|-----------|
| 1     | ADDED THE DETAIL OF HOLE FOR FITTING. | S. SAO | DEC.02'10 |



DOTS DETAIL (NO SCALE)



PIN ASSIGNMENT

| No. | SYMBOL | No. | SYMBOL   |
|-----|--------|-----|----------|
| 1   | GN1    | 17  | G4       |
| 2   | CK     | 18  | G5       |
| 3   | H SYNC | 19  | GND      |
| 4   | V SYNC | 20  | B0       |
| 5   | GN2    | 21  | B1       |
| 6   | R0     | 22  | B2       |
| 7   | R1     | 23  | B3       |
| 8   | R2     | 24  | B4       |
| 9   | R3     | 25  | B5       |
| 10  | R4     | 26  | GND      |
| 11  | R5     | 27  | LNAF     |
| 12  | CND    | 28  | VS(0.3V) |
| 13  | G0     | 29  | VS(0.3V) |
| 14  | G1     | 30  | R/L      |
| 15  | G2     | 31  | U/D      |
| 16  | C3     | 32  | NC       |
|     |        | 33  | GND      |

| No. | SYMBOL   | CAR.  | COAT  |
|-----|----------|-------|-------|
| 1   | ANODE1   | BLACK | 01.03 |
| 2   | ANODE2   | RED   |       |
| 3   | ANODE3   | WHITE |       |
| 4   | CATHODE1 | BLACK |       |
| 5   | CATHODE2 | RED   |       |
| 6   | CATHODE3 | WHITE |       |

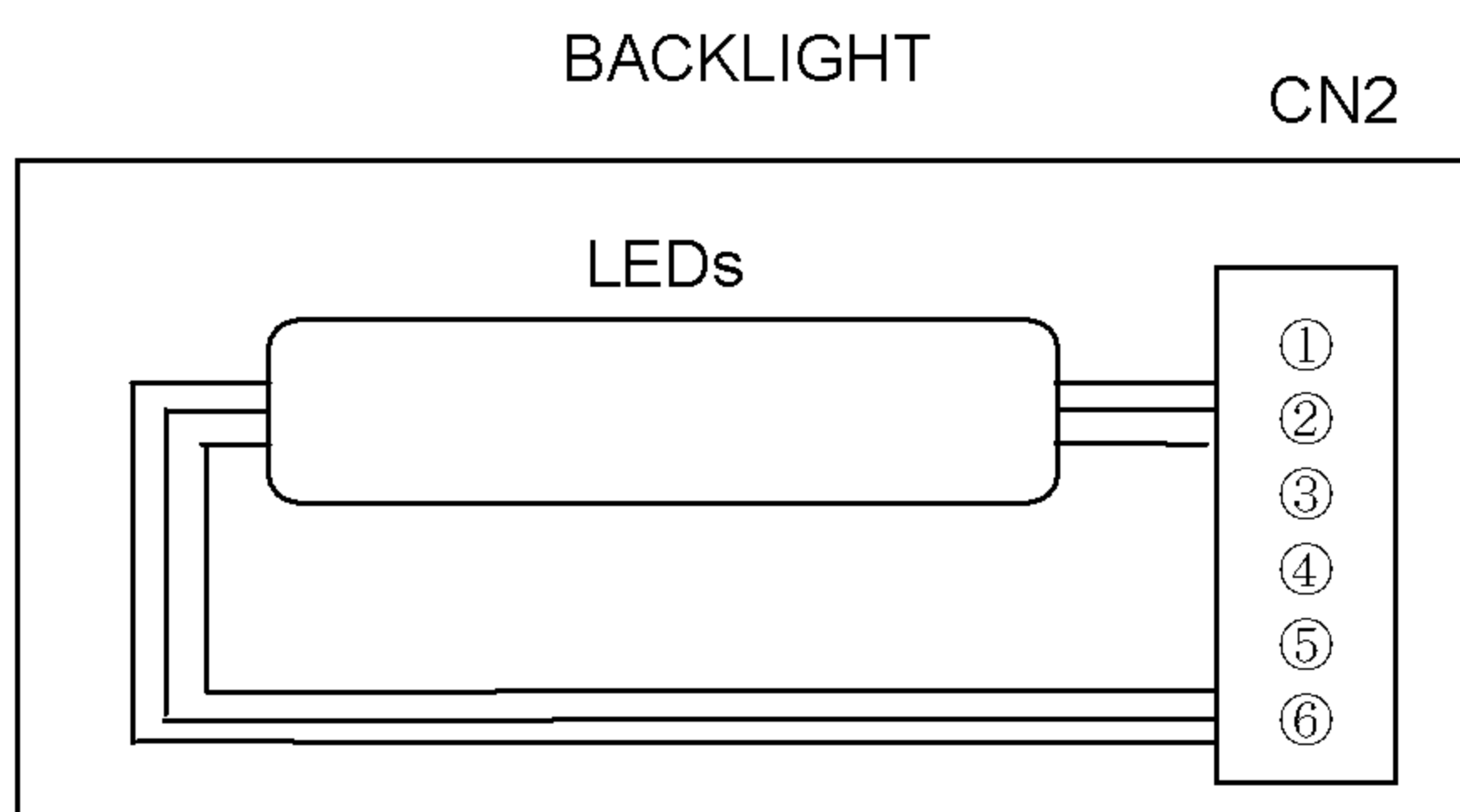
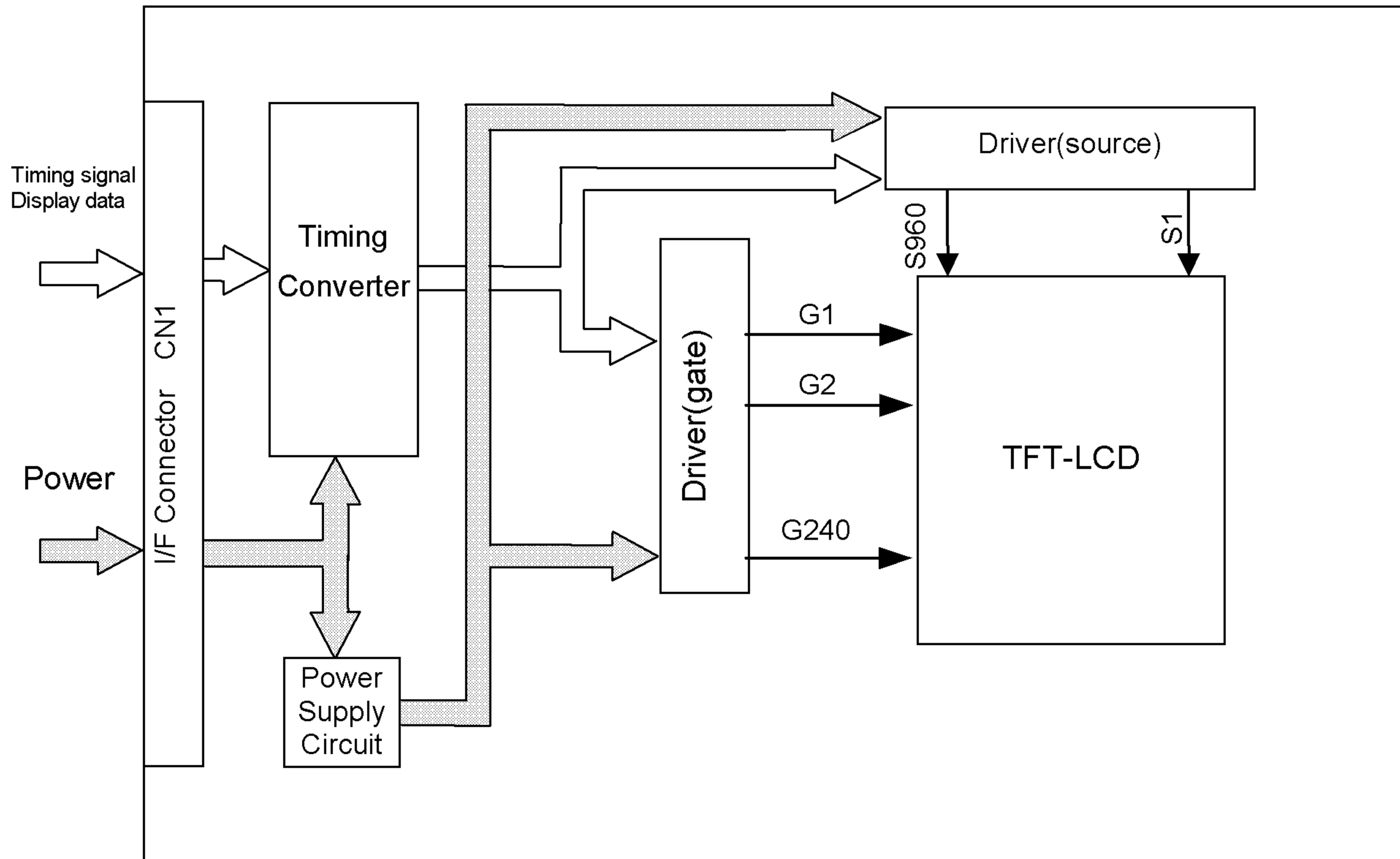
NOTES  
 1. THE DIMENSIONS WITH THE MARK (●) ARE CONTROLLED AS A PARTICULAR CHARACTERISTIC.  
 2. TOLERANCE WITHOUT INDICATION: ±0.5

| MEASURE  | TOLERANCE |      |      |
|----------|-----------|------|------|
|          | A         | B    | C    |
| 0.6      | ±0.1      | ±0.2 | ±1   |
| 1.65-4.5 | ±0.2      | ±0.5 | ±0.5 |
| 6.35-250 | ±0.3      | ±0.8 | ±2   |
| 250-500  | ±0.5      | ±1.2 | ±4   |
| 500-     | ±0.8      | ±2   | ±10  |
| ANGLE    | ±1°       | ±5°  | ±10° |

| DATE | DESIGNER | DATE IN USE | DWG. NO. | DWG. REV. |
|------|----------|-------------|----------|-----------|
|      |          |             |          |           |

OPTREX CORPORATION  
 SCALE UNIT: 1:1  
 DATE IN USE:

## 5. Block Diagram



## 6. I/O Terminal

### 6.1. CN1 Pin Assignment (INTERFACE SIGNAL)

Used connector 08-6260-033-340-829+

Corresponding FPC: P0.5, 33pin, t=0.3mm

| No. | Symbol    | Functional Discription  |
|-----|-----------|---|
| 1   | GND       | Power Supply (0V, GND)  |
| 2   | CK        | Clock Signal  |
| 3   | HSYC      | Horizontal Sync Input   |
| 4   | VSYC      | Vertical Sync Input   |
| 5   | GND       | Power Supply (0V, GND)  |
| 6   | R0        | Red Data Signal   |
| 7   | R1        | Red Data Signal   |
| 8   | R2        | Red Data Signal   |
| 9   | R3        | Red Data Signal   |
| 10  | R4        | Red Data Signal   |
| 11  | R5        | Red Data Signal   |
| 12  | GND       | Power Supply (0V, GND)  |
| 13  | G0        | Green Data Signal   |
| 14  | G1        | Green Data Signal   |
| 15  | G2        | Green Data Signal   |
| 16  | G3        | Green Data Signal   |
| 17  | G4        | Green Data Signal   |
| 18  | G5        | Green Data Signal   |
| 19  | GND       | Power Supply (0V, GND)  |
| 20  | B0        | Blue Data Signal  |
| 21  | B1        | Blue Data Signal  |
| 22  | B2        | Blue Data Signal  |
| 23  | B3        | Blue Data Signal  |
| 24  | B4        | Blue Data Signal  |
| 25  | B5        | Blue Data Signal  |
| 26  | GND       | Power Supply (0V, GND)  |
| 27  | ENAB      | Input Data Enable Control                                     |
| 28  | VCC(3.3V) | Power Supply for Logic  |
| 29  | VCC(3.3V) | Power Supply for Logic  |
| 30  | R/L       | Control the shift direction of device internal shift resister |
| 31  | U/D       | Set the Up/Down scan direction                                |
| 32  | NC        | Non Connection  |
| 33  | GND       | Power Supply (0V, GND)  |



## 6.2.CN2 Pin Assignment (Backlight)

Used connector : SHLP-06V-S-B(JST)

Corresponding connector : SM06B-SHLS-TF(JST)

| No. | Symbol    | Functional Discription |
|-----|-----------|------------------------|
| 1   | Anode 1   | LED Anode Terminal     |
| 2   | Anode 2   | LED Anode Terminal     |
| 3   | Anode 3   | LED Anode Terminal     |
| 4   | Cathode 1 | LED Cathode Terminal   |
| 5   | Cathode 2 | LED Cathode Terminal   |
| 6   | Cathode 3 | LED Cathode Terminal   |

## 7. Electrical Specifications

### 7.1. Absolute Maximum Ratings

Ta=-20~70°C, VSS=0V

| Parameter              | Symbol | Conditions | Min. | Max. | Units |
|------------------------|--------|------------|------|------|-------|
| Supply Voltage for LCD | VCC    | -          | -0.3 | +7.0 | V     |

### 7.2. DC Characteristics

Ta=-20~70°C, VSS=0V

| Parameter                       | Symbol          | Min.   | Typ. | Max.   | Units |
|---------------------------------|-----------------|--------|------|--------|-------|
| Supply Voltage for LCD          | VCC             | 3.0    | 3.3  | 3.6    | V     |
| High Level<br>Input Voltage     | V <sub>IH</sub> | 0.7VCC | -    | VCC    | V     |
| Low Level<br>Input Voltage      | V <sub>IL</sub> | 0      | -    | 0.3VCC | V     |
| Power Supply Current<br>for LCD | ICC             | -      | 100  | 150    | mA    |

#### A) Typical current condition

All black pattern with frame 240 line mode.

VCC=+3.3V, f<sub>H</sub>=15.7kHz, f<sub>V</sub>=60Hz, f<sub>CLK</sub>=6.4MHz

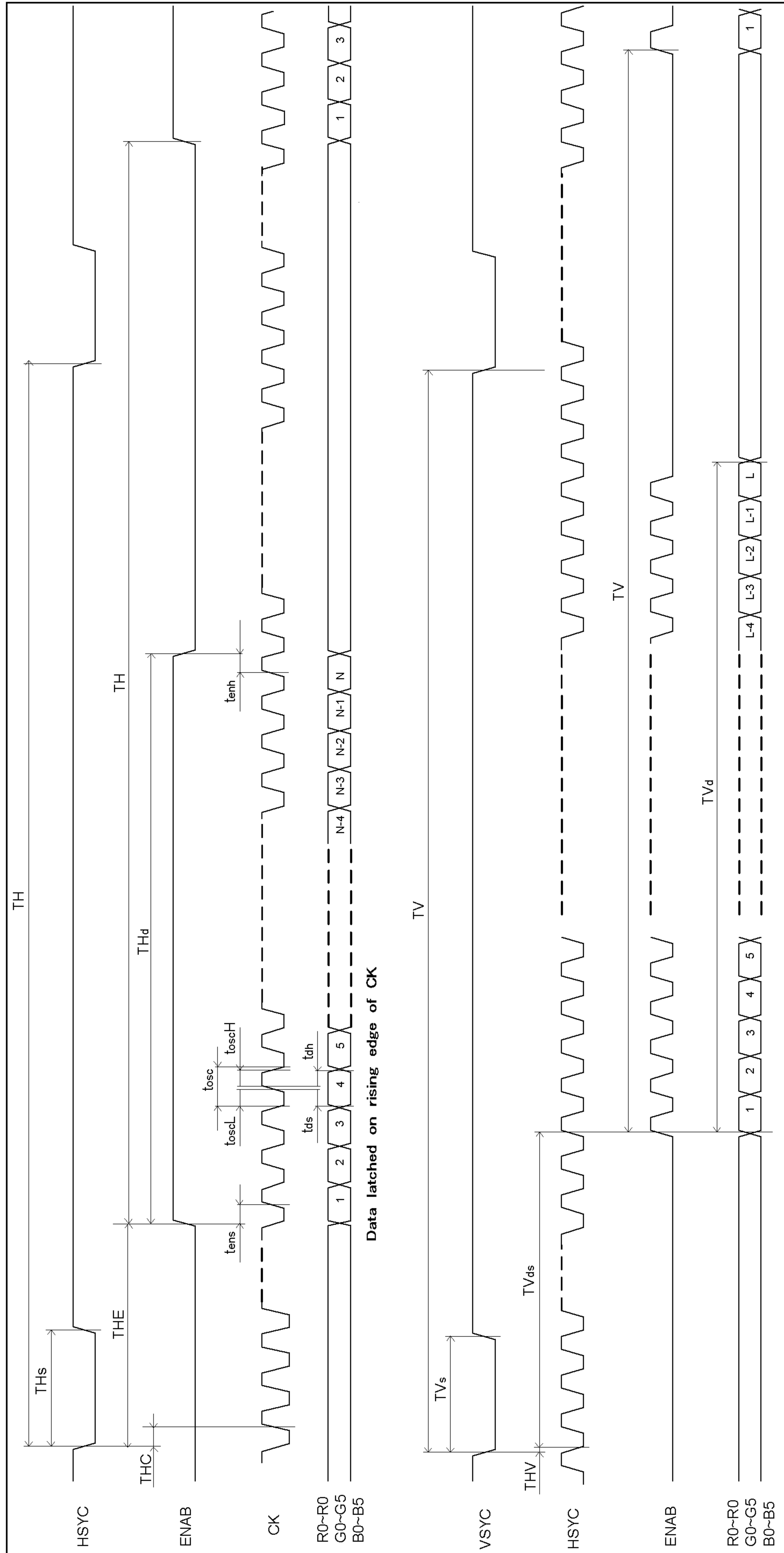
### 7.3.AC Characteristics

#### 7.3.1.Digital Parallel RGB Interface Timing

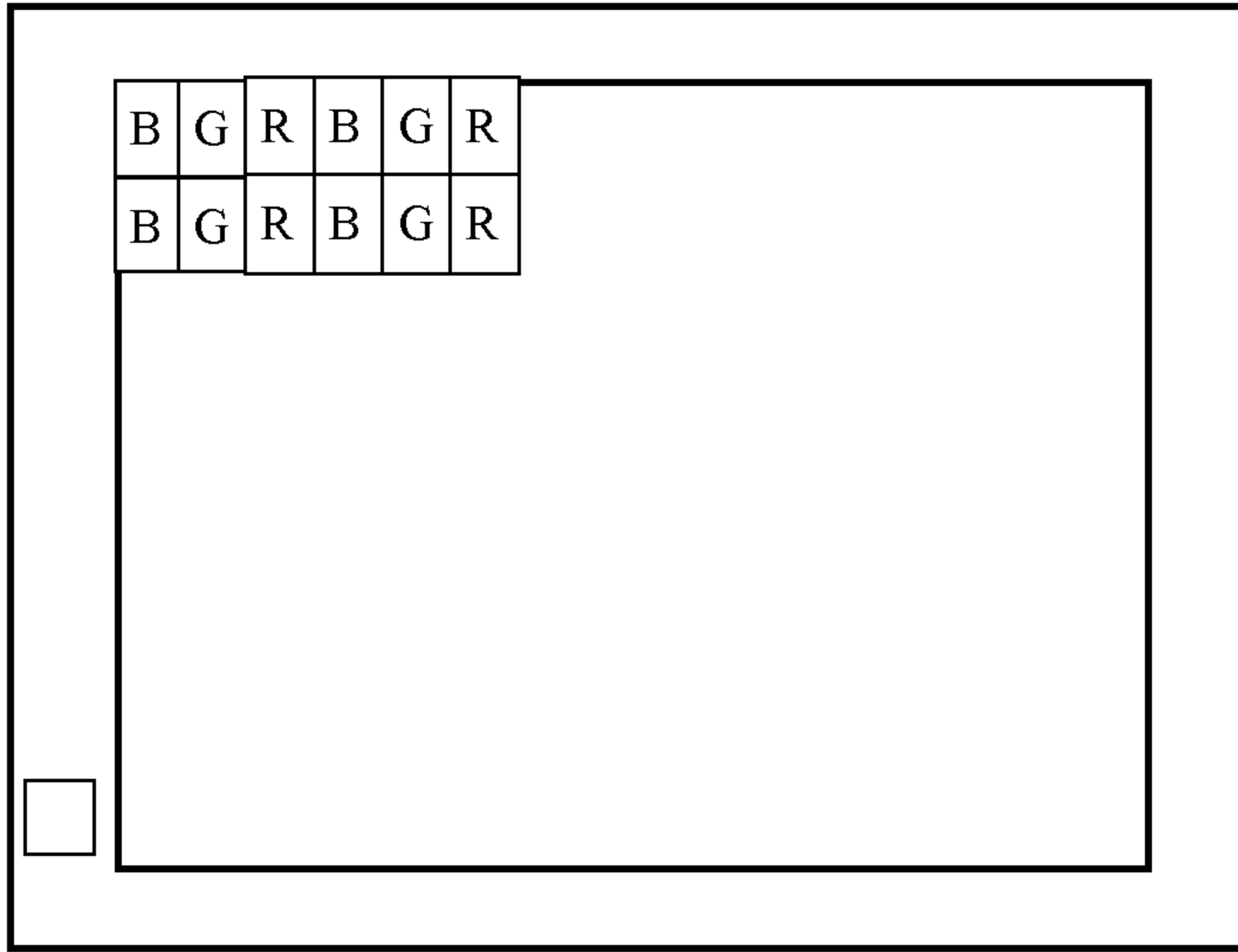
Ta=-20~70°C, VCC=3.0~3.6V

| Parameter                            | Symbol      | Min. | Typ. | Max. | Units |
|--------------------------------------|-------------|------|------|------|-------|
| CK Frequency                         | 1/tosc      | -    | 6.4  | -    | MHz   |
| CK Period                            | tosc        | -    | 156  | -    | ns    |
| CK High Pulse Width Time             | toscH       | 12   | -    | -    | ns    |
| CK Low Pulse Width Time              | toscL       | 12   | -    | -    | ns    |
| CK Pulse Duty ratio                  | toscH/ tosc | -    | 50   | -    | %     |
| Data Setup time                      | tds         | 12   | -    | -    | ns    |
| Data Hold time                       | tdh         | 12   | -    | -    | ns    |
| HSYC (Horizontal Sync.) Signal Cycle | TH          | -    | 62.8 | -    | μs    |
|                                      |             | -    | 408  | 450  | clk   |
| HSYC Pulse Width                     | THs         | 5    | 30   | -    | clk   |
| Horizontal Display Term              | THd         | -    | 320  | -    | clk   |
| ENAB Setup Time                      | tens        | 12   | -    | -    | ns    |
| ENAB Hold Time                       | tenh        | 12   | -    | -    | ns    |
| VSYC (Vertical Sync.) Signal Cycle   | TV          | -    | 262  | 350  | Line  |
| VSYC Pulse Width                     | TVs         | 1    | 3    | 5    | Line  |
| Vertical Display Term                | TVd         | -    | 240  | -    | Line  |
| Vertical Display Start               | TVds        | -    | 18   | -    | Line  |
| HSYC-ENAB Phase Difference           | THE         | -    | 68   | -    | clk   |
| HSYC-CK Phase Difference             | THC         | 12   | -    | -    | ns    |
| HSYC-VSYC Phase Difference           | THV         | 1    | -    | -    | clk   |

### 7.3.2. Input Signal Timing



#### 7.4.Pixel Alignment



### 7.5.Color Data Assignment

| COLOR       | INPUT DATA | R DATA |    |    |     |    |    | G DATA |    |    |     |    |    | B DATA |    |    |     |    |    |
|-------------|------------|--------|----|----|-----|----|----|--------|----|----|-----|----|----|--------|----|----|-----|----|----|
|             |            | MSB    |    |    | LSB |    |    | MSB    |    |    | LSB |    |    | MSB    |    |    | LSB |    |    |
|             |            | R5     | R4 | R3 | R2  | R1 | R0 | G5     | G4 | G3 | G2  | G1 | G0 | B5     | B4 | B3 | B2  | B1 | B0 |
| BASIC COLOR | BLACK      | 0      | 0  | 0  | 0   | 0  | 0  | 0      | 0  | 0  | 0   | 0  | 0  | 0      | 0  | 0  | 0   | 0  | 0  |
|             | RED (63)   | 1      | 1  | 1  | 1   | 1  | 1  | 0      | 0  | 0  | 0   | 0  | 0  | 0      | 0  | 0  | 0   | 0  | 0  |
|             | GREEN (63) | 0      | 0  | 0  | 0   | 0  | 0  | 1      | 1  | 1  | 1   | 1  | 1  | 0      | 0  | 0  | 0   | 0  | 0  |
|             | BLUE (63)  | 0      | 0  | 0  | 0   | 0  | 0  | 0      | 0  | 0  | 0   | 0  | 0  | 1      | 1  | 1  | 1   | 1  | 1  |
|             | CYAN       | 0      | 0  | 0  | 0   | 0  | 0  | 1      | 1  | 1  | 1   | 1  | 1  | 1      | 1  | 1  | 1   | 1  | 1  |
|             | MAGENTA    | 1      | 1  | 1  | 1   | 1  | 1  | 0      | 0  | 0  | 0   | 0  | 0  | 1      | 1  | 1  | 1   | 1  | 1  |
|             | YELLOW     | 1      | 1  | 1  | 1   | 1  | 1  | 1      | 1  | 1  | 1   | 1  | 1  | 0      | 0  | 0  | 0   | 0  | 0  |
|             | WHITE      | 1      | 1  | 1  | 1   | 1  | 1  | 1      | 1  | 1  | 1   | 1  | 1  | 1      | 1  | 1  | 1   | 1  | 1  |
| RED         | RED (0)    | 0      | 0  | 0  | 0   | 0  | 0  | 0      | 0  | 0  | 0   | 0  | 0  | 0      | 0  | 0  | 0   | 0  | 0  |
|             | RED (1)    | 0      | 0  | 0  | 0   | 0  | 1  | 0      | 0  | 0  | 0   | 0  | 0  | 0      | 0  | 0  | 0   | 0  | 0  |
|             | RED (2)    | 0      | 0  | 0  | 0   | 1  | 0  | 0      | 0  | 0  | 0   | 0  | 0  | 0      | 0  | 0  | 0   | 0  | 0  |
|             |            |        |    |    |     |    |    |        |    |    |     |    |    |        |    |    |     |    |    |
|             |            |        |    |    |     |    |    |        |    |    |     |    |    |        |    |    |     |    |    |
|             | RED (62)   | 1      | 1  | 1  | 1   | 1  | 0  | 0      | 0  | 0  | 0   | 0  | 0  | 0      | 0  | 0  | 0   | 0  | 0  |
|             | RED (63)   | 1      | 1  | 1  | 1   | 1  | 1  | 0      | 0  | 0  | 0   | 0  | 0  | 0      | 0  | 0  | 0   | 0  | 0  |
| GREEN       | GREEN (0)  | 0      | 0  | 0  | 0   | 0  | 0  | 0      | 0  | 0  | 0   | 0  | 0  | 0      | 0  | 0  | 0   | 0  | 0  |
|             | GREEN (1)  | 0      | 0  | 0  | 0   | 0  | 0  | 0      | 0  | 0  | 0   | 0  | 1  | 0      | 0  | 0  | 0   | 0  | 0  |
|             | GREEN (2)  | 0      | 0  | 0  | 0   | 0  | 0  | 0      | 0  | 0  | 0   | 1  | 0  | 0      | 0  | 0  | 0   | 0  | 0  |
|             |            |        |    |    |     |    |    |        |    |    |     |    |    |        |    |    |     |    |    |
|             |            |        |    |    |     |    |    |        |    |    |     |    |    |        |    |    |     |    |    |
|             | GREEN (62) | 0      | 0  | 0  | 0   | 0  | 0  | 1      | 1  | 1  | 1   | 1  | 0  | 0      | 0  | 0  | 0   | 0  | 0  |
|             | GREEN (63) | 0      | 0  | 0  | 0   | 0  | 0  | 1      | 1  | 1  | 1   | 1  | 1  | 0      | 0  | 0  | 0   | 0  | 0  |
| BLUE        | BLUE (0)   | 0      | 0  | 0  | 0   | 0  | 0  | 0      | 0  | 0  | 0   | 0  | 0  | 0      | 0  | 0  | 0   | 0  | 0  |
|             | BLUE (1)   | 0      | 0  | 0  | 0   | 0  | 0  | 0      | 0  | 0  | 0   | 0  | 0  | 0      | 0  | 0  | 0   | 0  | 1  |
|             | BLUE (2)   | 0      | 0  | 0  | 0   | 0  | 0  | 0      | 0  | 0  | 0   | 0  | 0  | 0      | 0  | 0  | 0   | 1  | 0  |
|             |            |        |    |    |     |    |    |        |    |    |     |    |    |        |    |    |     |    |    |
|             |            |        |    |    |     |    |    |        |    |    |     |    |    |        |    |    |     |    |    |
|             | BLUE (62)  | 0      | 0  | 0  | 0   | 0  | 0  | 0      | 0  | 0  | 0   | 0  | 0  | 1      | 1  | 1  | 1   | 1  | 0  |
|             | BLUE (63)  | 0      | 0  | 0  | 0   | 0  | 0  | 0      | 0  | 0  | 0   | 0  | 0  | 1      | 1  | 1  | 1   | 1  | 1  |

[Note]

1) Definition of gray scale

Color (n) --- n indicates gray scale level.

Higher n means brighter level.

2) Data 1:High, 0: Low

Relation of IC and LCD Module Data Bus

|            |      |      |      |      |      |      |      |      |
|------------|------|------|------|------|------|------|------|------|
| LCD Module | RGB5 | RGB4 | RGB3 | RGB2 | RGB1 | RGB0 | *    | *    |
| IC         | RGB7 | RGB6 | RGB5 | RGB4 | RGB3 | RGB2 | RGB1 | RGB0 |

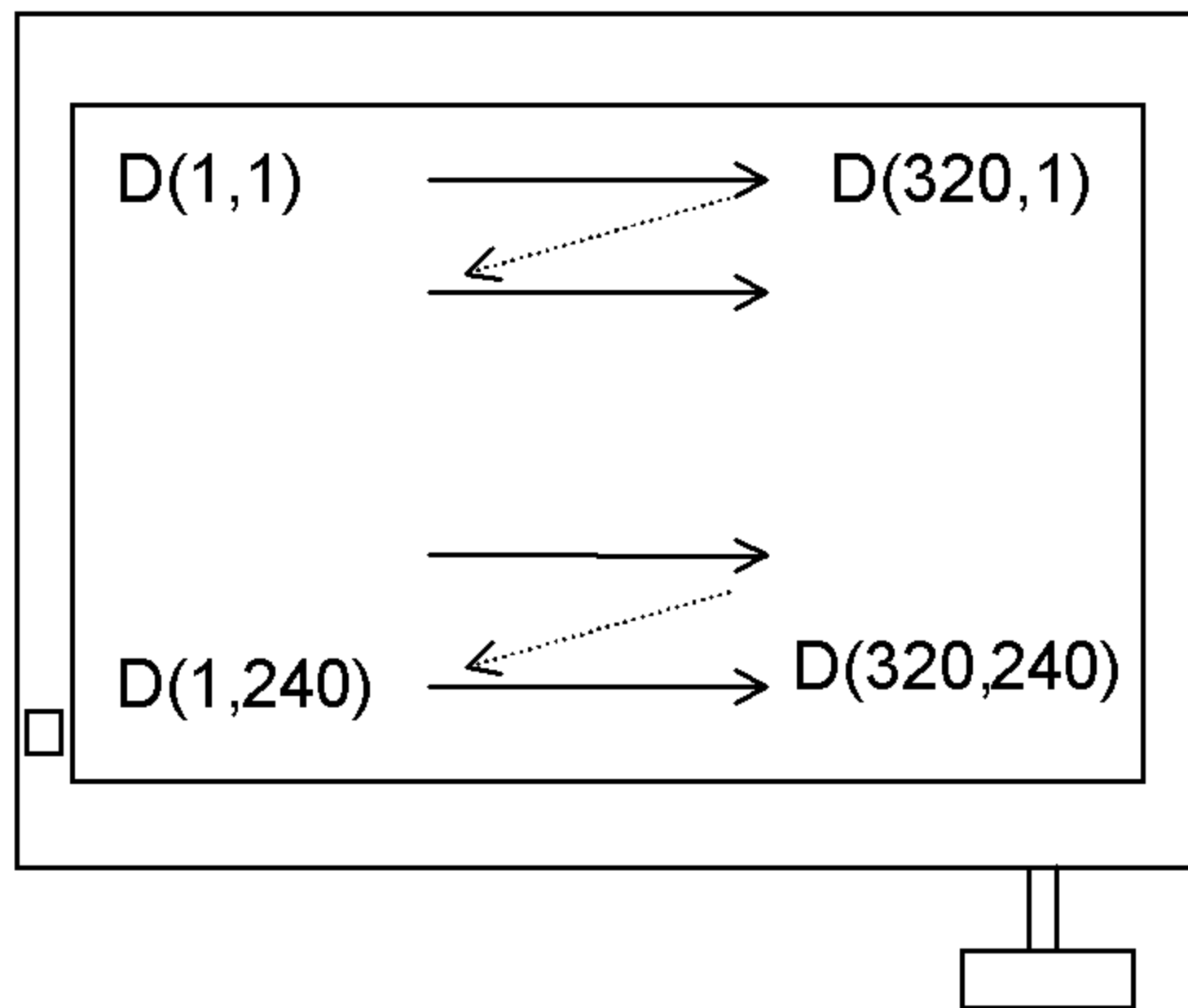
\*Connected to "L" in the LCD Module

## 7.6. Inverted Scan Capability

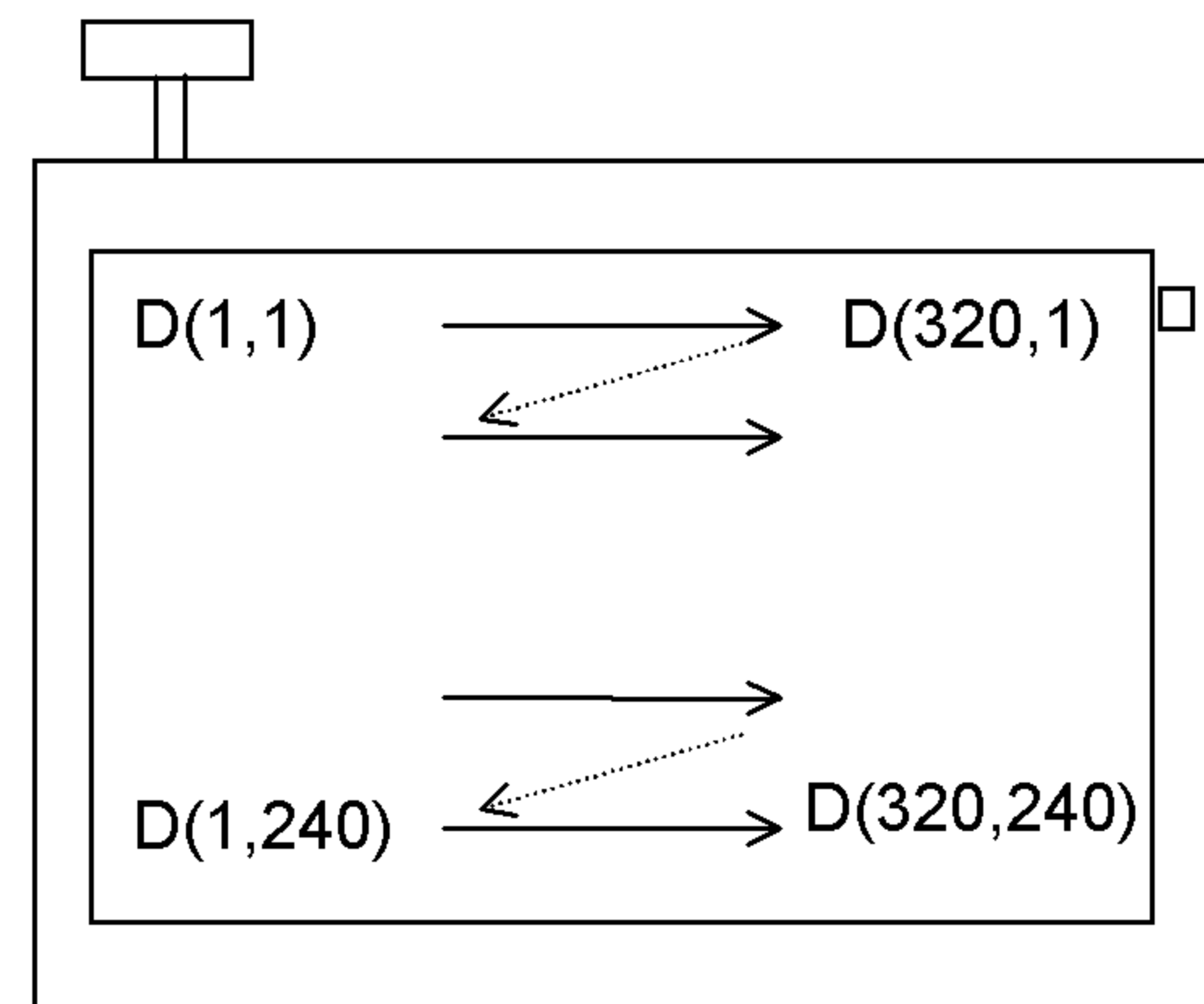
This module has the capability of inverting scan direction by signaling from controller.  
Note that scan direction cannot be changed during operation.

The following drawing shows the relationship between the viewing direction and the scan direction.

Normal scan(U/D:H R/L:L)



Reverse scan(U/D:L R/L:H)



## 7.7. Lighting Specifications

### 7.7.1. Absolute Maximum Ratings

Ta=25°C

| Parameter             | Symbol         | Conditions | Min.   | Typ.   | Max. | Units |
|-----------------------|----------------|------------|--------|--------|------|-------|
| Forward Current       | I <sub>F</sub> | Note 1,2   | -      | -      | 150  | mA    |
| Reverse Current       | I <sub>R</sub> | Note 1     | -      | -      | 85   | mA    |
| LED Power Dissipation | P <sub>D</sub> | Note 1     | -      | -      | 2.16 | W     |
| Backlight Life time   | —              | Note 3,4,5 | 50,000 | 70,000 | —    | Hrs   |

Note 1 : This value is for each 1 line.

Note 2 : Refer to the forward current derating curve.

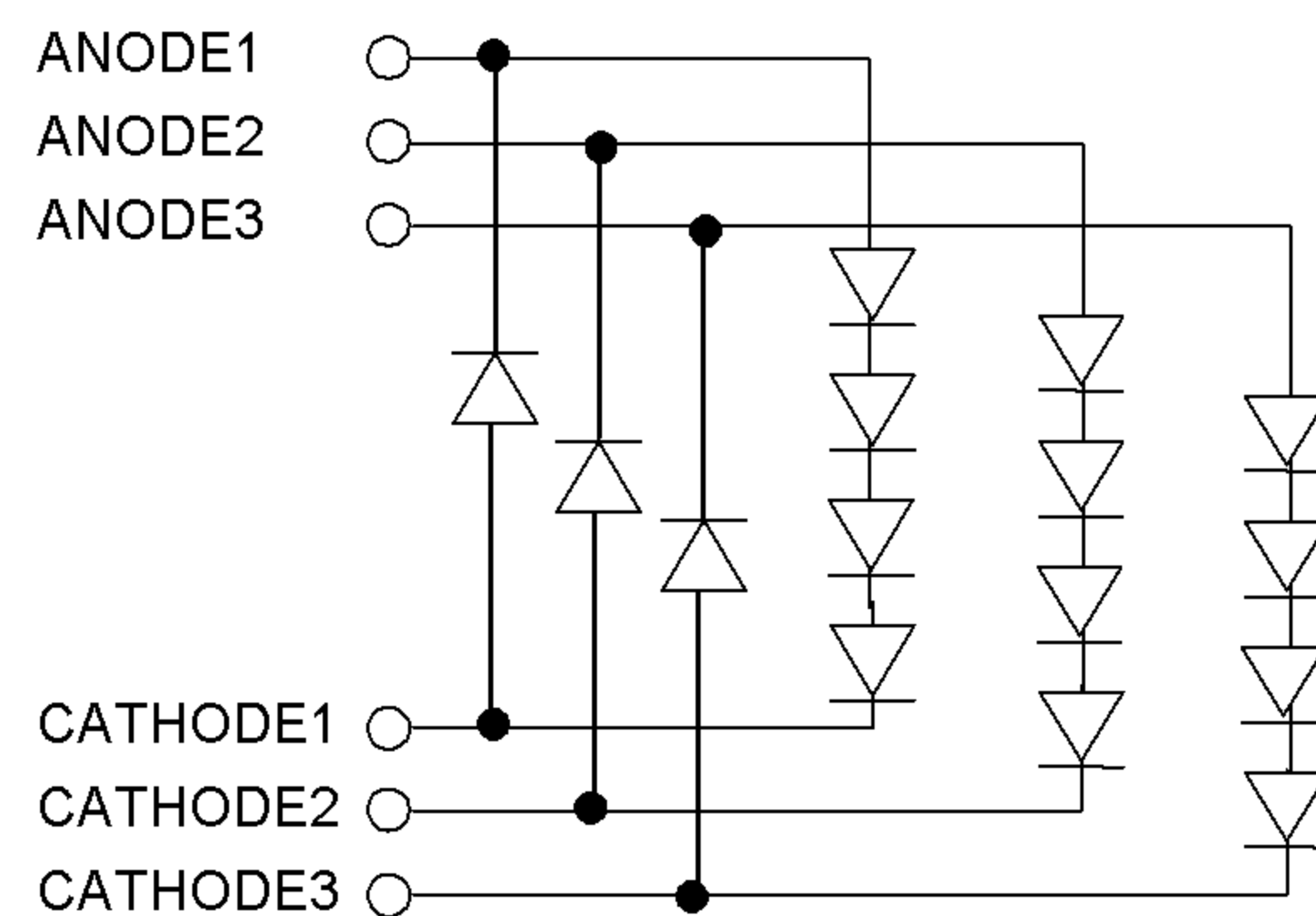
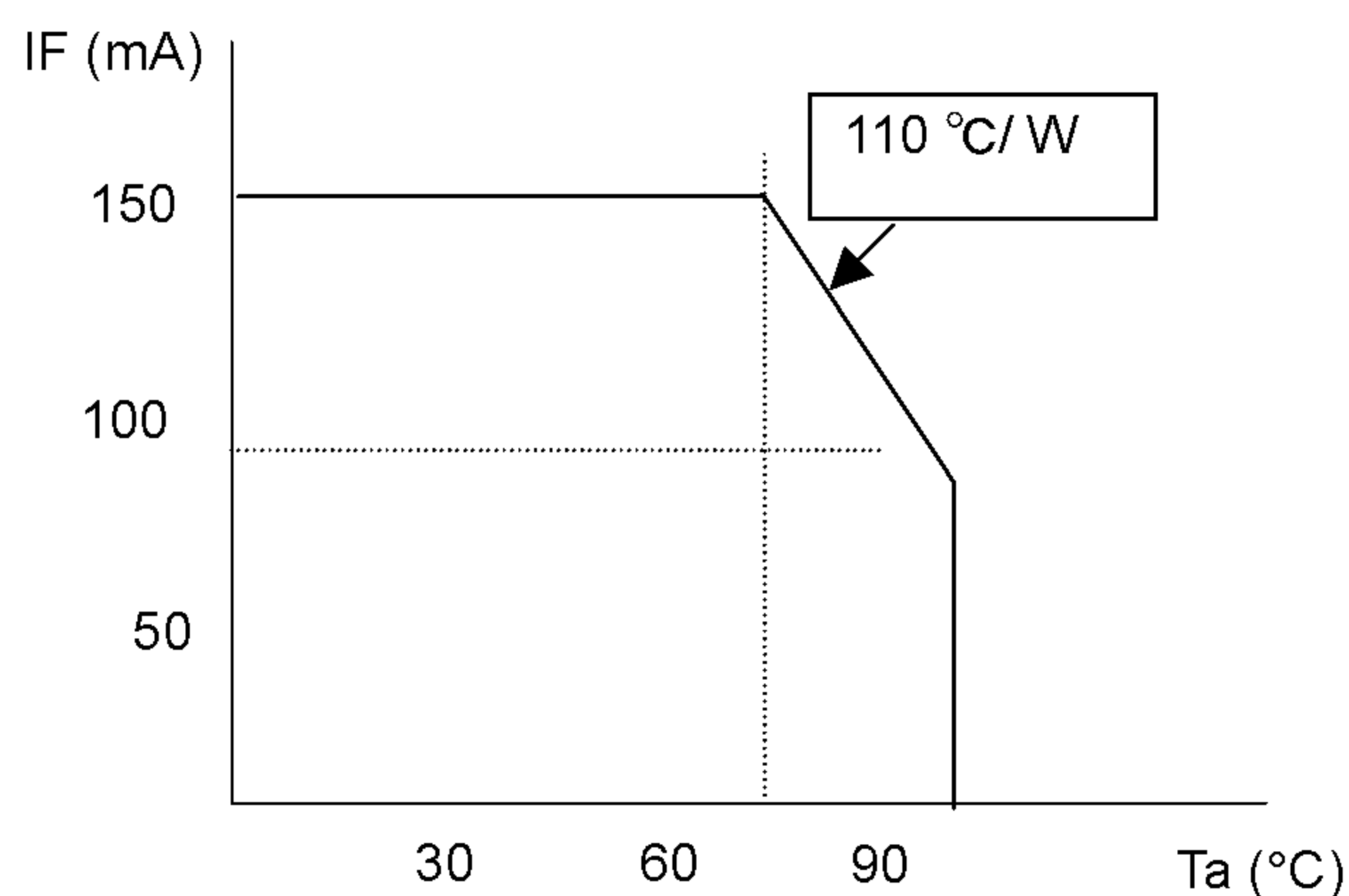
Note 3 : Backlight life is defined as time period that the actual luminance becomes 50% or lower of its initial value.

Note 4 : Backlight life time depends on the ambient temperature.

The term "Backlight Life Time" is defined as room temperature, or 25°C.

Note 5 : Backlight life time will decrease under high temperature.

#### 【Forward Current Derating Curve】



### 7.7.2. Operating Characteristics

Ta=25°C

| Parameter       | Symbol         | Conditions                    | Min. | Typ.   | Max. | Units |
|-----------------|----------------|-------------------------------|------|--------|------|-------|
| Forward Voltage | V <sub>F</sub> | I <sub>F</sub> =60mA / 1 line | -    | (12.4) | -    | V     |



## 8. Optical Specifications

### 8.1. Optical Characteristics

| Item                     | Symbol | Conditions   |        |    | Standard Value |       |       | Unit              | Method of Measure | Remark  |   |
|--------------------------|--------|--------------|--------|----|----------------|-------|-------|-------------------|-------------------|---------|---|
|                          |        | $\theta$     | $\phi$ | C  | Min.           | Typ.  | Max.  |                   |                   |         |   |
| Brightness               | B      | 0°           | 0°     | /  | 350            | 500   | -     | cd/m <sup>2</sup> | (Fig.1)           | Note1   |   |
| Contrast                 | CR     | Best Viewing |        |    | 210            | 350   | -     | -                 |                   |         |   |
| Color Coordinates        | Red    | Rx           | 0°     | 0° | /              | 0.580 | 0.630 | 0.680             |                   |         | - |
|                          |        | Ry           | 0°     | 0° | /              | 0.300 | 0.350 | 0.400             |                   |         | - |
|                          | Green  | Gx           | 0°     | 0° | /              | 0.260 | 0.310 | 0.360             |                   |         | - |
|                          |        | Gy           | 0°     | 0° | /              | 0.540 | 0.590 | 0.640             |                   |         | - |
|                          | Blue   | Bx           | 0°     | 0° | /              | 0.090 | 0.140 | 0.190             |                   |         | - |
|                          |        | By           | 0°     | 0° | /              | 0.070 | 0.120 | 0.170             |                   |         | - |
| White                    | Wx     | 0°           | 0°     | /  | 0.270          | 0.320 | 0.370 | -                 |                   |         |   |
|                          | Wy     | 0°           | 0°     | /  | 0.310          | 0.360 | 0.410 | -                 |                   |         |   |
| Brightness Uniformity    | -      | 0°           | 0°     | /  | 70             | 75    | -     | %                 | (Fig.2)           |         |   |
| Vertical Viewing Angle   | Up     | $\theta_U$   | -      | 0° | $\geq 5$       | -     | 70    | -                 | Degree            | (Fig.3) |   |
|                          | Down   | $\theta_D$   | -      | 0° | $\geq 5$       | -     | 70    | -                 | Degree            |         |   |
| Horizontal Viewing Angle | Left   | $\phi_L$     | 0°     | -  | $\geq 5$       | -     | 70    | -                 | Degree            |         |   |
|                          | Right  | $\phi_R$     | 0°     | -  | $\geq 5$       | -     | 70    | -                 | Degree            |         |   |
| Response Time            | Rise   | $\tau_r$     | 0°     | 0° | /              | -     | 21    | -                 | ms                | (Fig.4) |   |
|                          | Decay  | $\tau_d$     | 0°     | 0° | /              | -     | 10    | -                 | ms                |         |   |

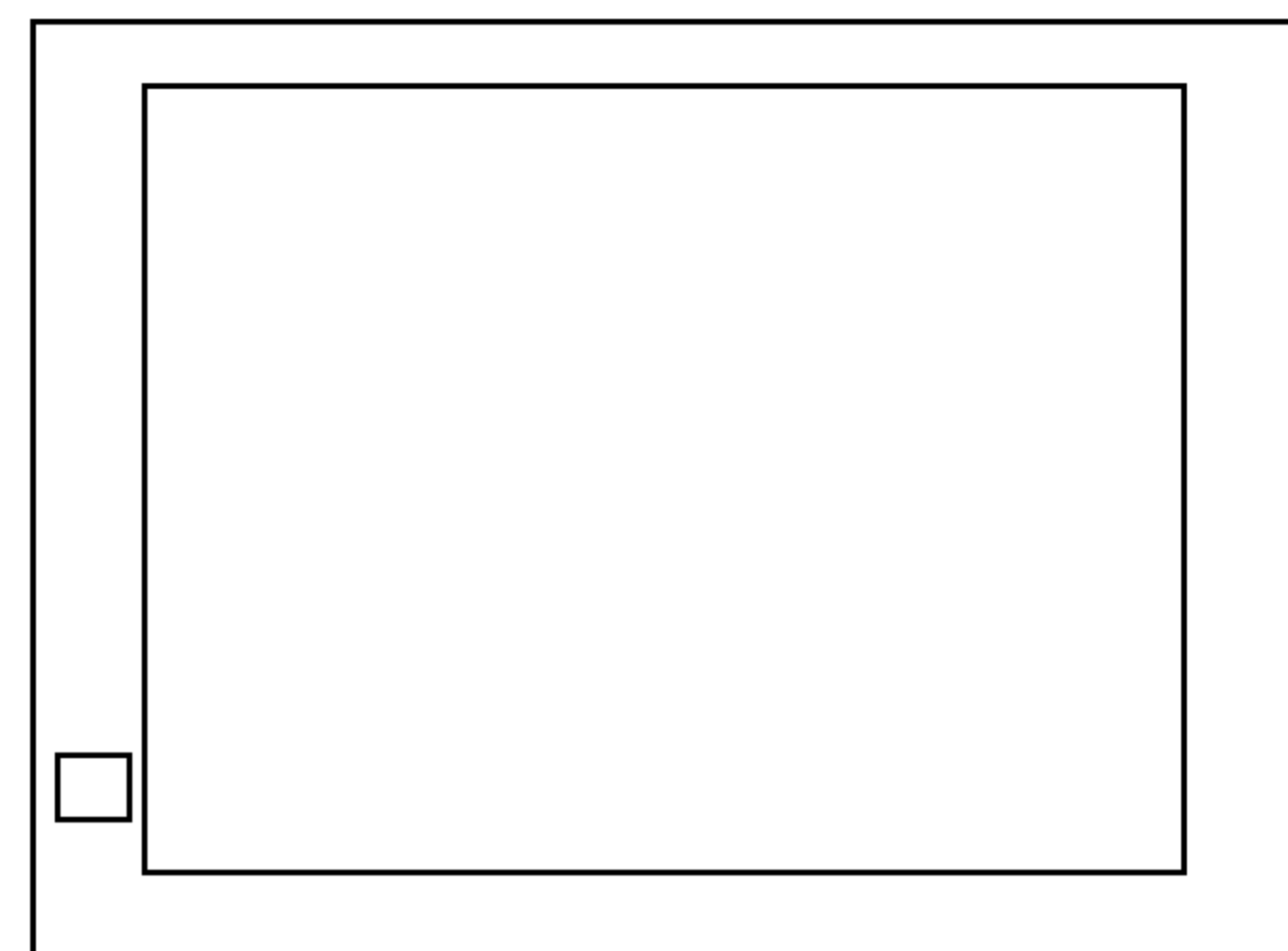
Note1: Under the condition of maximum brightness.

◆ Conditions for Measuring

- ◇ Environment: Dark room with no light or close to no light.
- ◇ Temperature: 25±5°C
- ◇ Humidity: 40~70%RH
- ◇ Driving voltage is set for optimal contrast to measure center of display.
- ◇ LED Backlight driving condition: IF=60mA/1Line

◆ Optimal viewing angle

(The angle of Least Color Inversion)

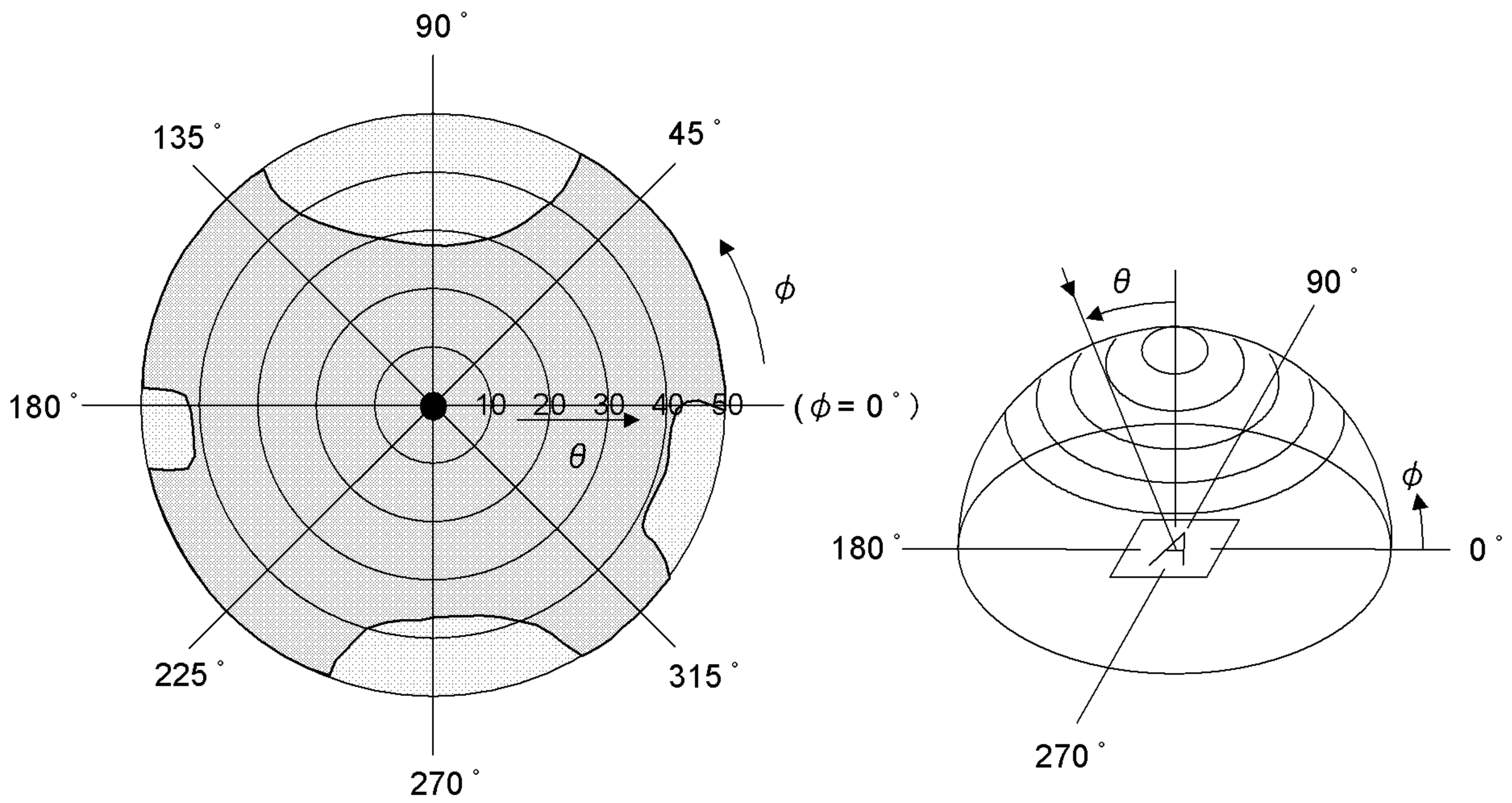



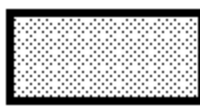
6 O'clock

## 8.2. Definition of Viewing Angle and Optimum Viewing Area

\*Point ● shows the point where contrast ratio is measured. :  $\theta = 0^\circ$ ,  $\phi = -^\circ$

\*Driving condition:  $F_r = 60\text{Hz}$



\*Area  shows typ.  $CR \geq 5$   
 \*Area  shows typ.  $CR \geq 20$

◆ Method of Brightness Measurement (Fig.1)

(1) Measuring Device

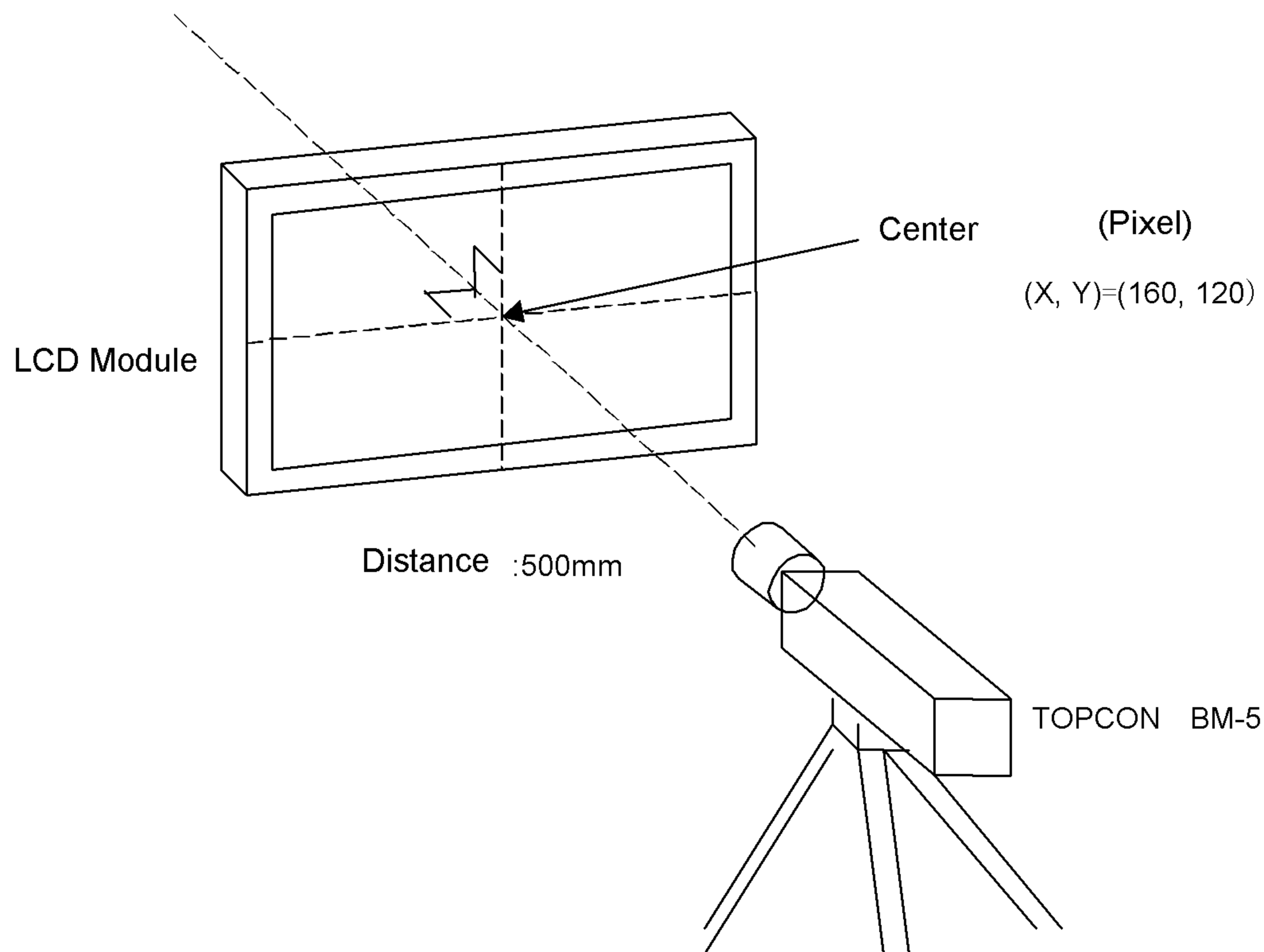
TOPCON: BM-5

(2) Measuring Point

Center of Display:  $\theta=0^\circ$ ,  $\phi=0^\circ$

On condition  $\theta$ : A vertical angle from measuring direction to perpendicular.

$\phi$ : A horizontal angle from measuring direction to perpendicular.



**Fig. 1**

(3) Method of Measuring

Apply signal voltage (displayed in white) to maximize brightness and measure brightness B ( $\text{cd}/\text{m}^2$ ).

The distance between BM-5's front lens to surface panel is 500mm.

Measured after backlight has been lit for more than 30 minutes.

◆ Method of Contrast Measurement (Fig.1)

(1) Measuring Device

TOPCON: BM-5, Measuring Field:  $1^\circ$

(2) Measuring Point

Center of display: same as Method of Brightness Measurement

(3) Method of Measuring

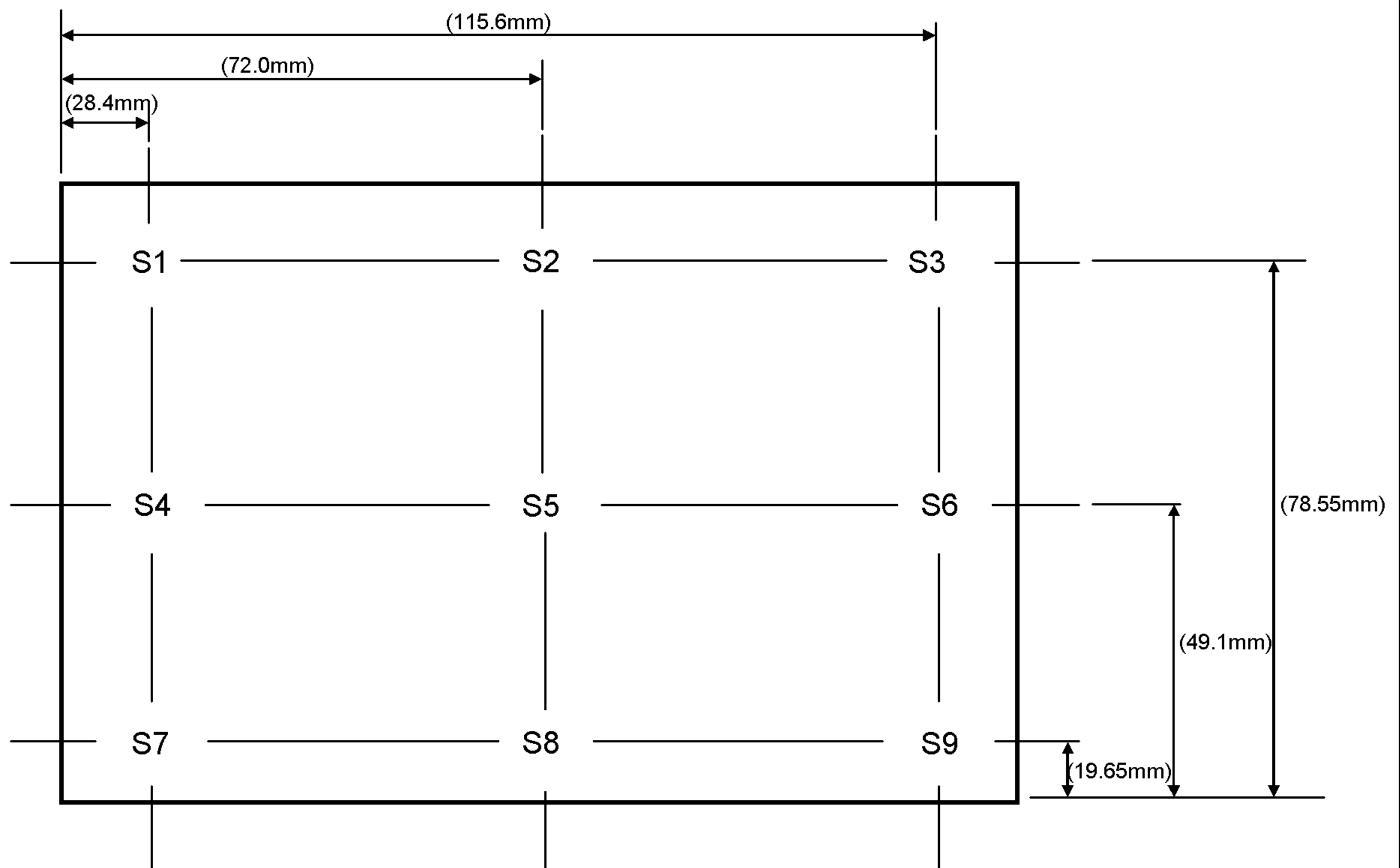
- Set LCD module to  $\theta=0^\circ$ ,  $\phi=0^\circ$ .

- Change signal voltage to measure maximum brightness Y1 and minimum brightness Y2.

- Contrast is derived from  $CR=Y1/Y2$ .

◆ Definition of Brightness Uniformity (Fig.2)

Definition is calculated from the 9 points (S1-S9) on the diagram below.



$$\text{Standard Value of Brightness Uniformity [\%]} = \frac{\text{Minimum Value of S1-S9}}{\text{Maximum Value of S1-S9}} \times 100$$

**Fig. 2**

◆ Method of Viewing Angle Measurement (Fig.3)

(1) Measuring Device

ELDIM: EZ CONTRAST

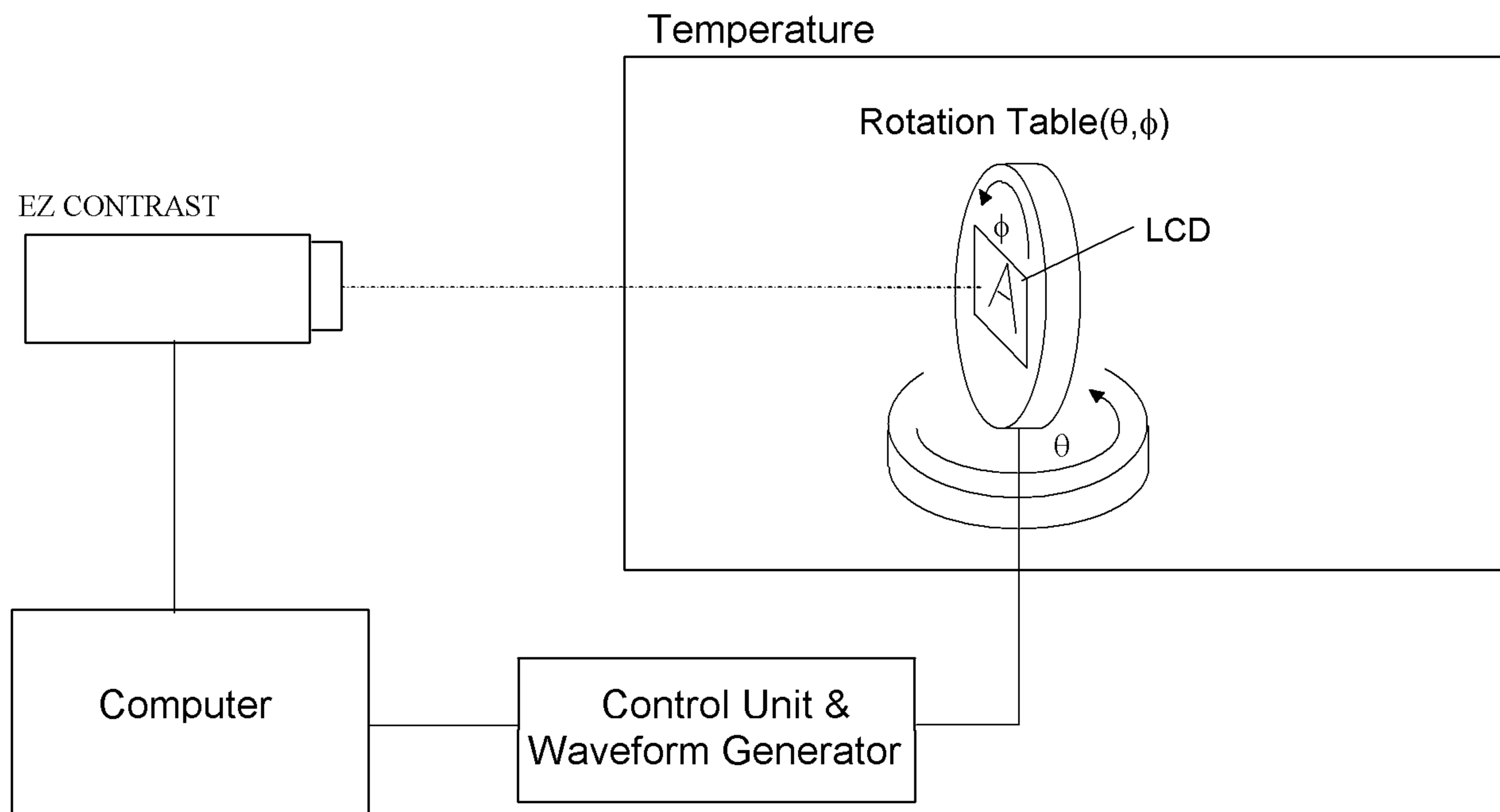
(2) Measuring Point

Center of display: Same as Method of Brightness Measurement

(3) Angle of Measuring

$\theta$ : An angle vertical to perpendicular line from the viewing direction.

$\phi$ : An angle horizontal to perpendicular from the viewing direction.



**Fig. 3**

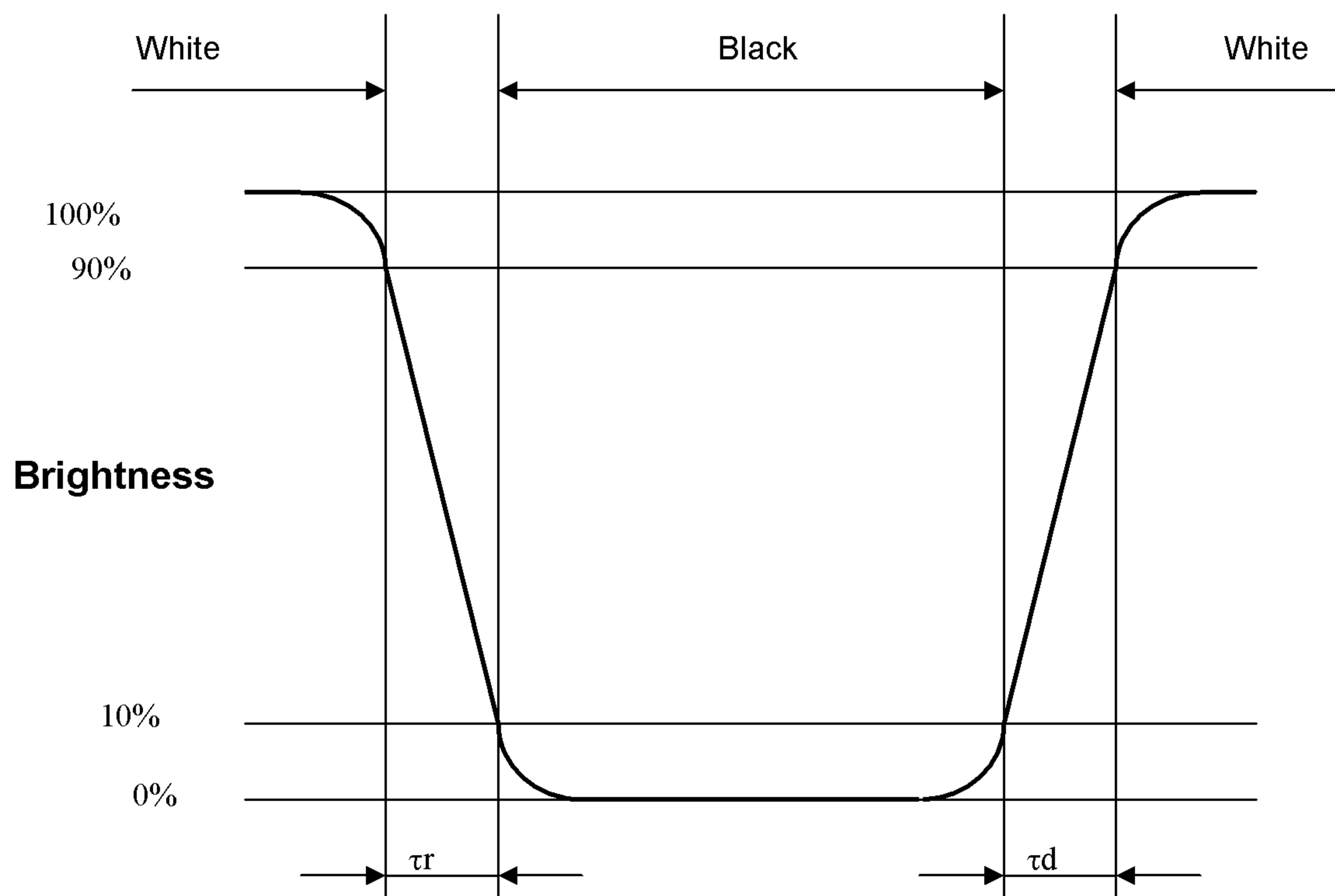
(4) Method of Measuring

Set the module on the rotation table and measure a vertical axis direction in the state that fixed  $\phi = 0$  degrees horizontal axis direction to  $\theta = 90$  degrees.

(Viewing angle is measured automatically by EZ CONTRAST)

◆ Measuring Response Time (Fig.4)

- (1) Measuring Device  
TOPCON BM-5, Measuring Field: 1°  
Tektronix Digital Oscilloscope
- (2) Measuring Point  
Center of display, same as Method of Brightness Measurement
- (3) Method of Measuring
  - Set LCD panel to  $\theta=0^\circ$ , and  $\phi=0^\circ$ .
  - Input white→black→white to display by switching signal voltage.
  - If the luminance is 0% and 100% immediately before the change of signal voltage, then  $\tau_r$  is optical response time during the change from 90% to 10% immediately after rise of signal voltage, and  $\tau_d$  is optical response time during the change from 10% to 90% immediately after decay of signal voltage.



**Fig. 4**

## 9. Test

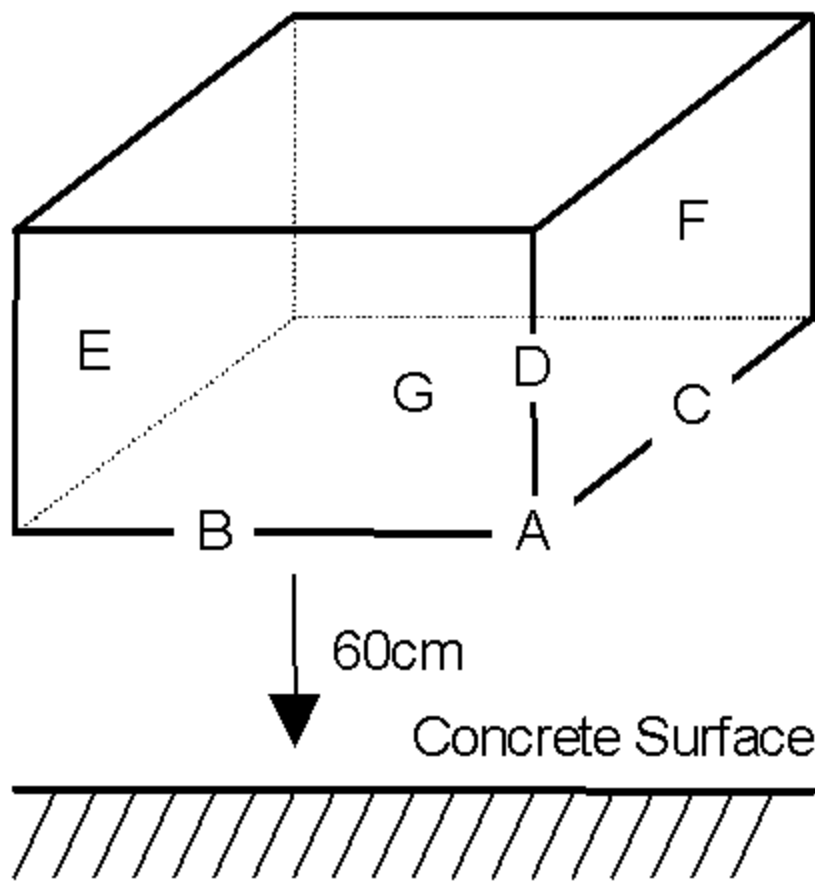
No abnormal function and appearance are found after the following tests.

Conditions: Unless otherwise specified, tests will be conducted under the following condition.

Temperature:  $20\pm 5^{\circ}\text{C}$

Humidity :  $65\pm 5\% \text{RH}$

tests will not be conducted under functioning state.

| No. | Parameter                  | Conditions   | Notes |
|-----|----------------------------|--|-------|
| 1   | High Temperature Operating | $70^{\circ}\text{C}\pm 2^{\circ}\text{C}$ , 96hrs (operation state)  |       |
| 2   | Low Temperature Operating  | $-20^{\circ}\text{C}\pm 2^{\circ}\text{C}$ , 96hrs (operation state)   | 1     |
| 3   | High Temperature Storage   | $80^{\circ}\text{C}\pm 2^{\circ}\text{C}$ , 96hrs  | 2     |
| 4   | Low Temperature Storage    | $-30^{\circ}\text{C}\pm 2^{\circ}\text{C}$ , 96hrs   | 1,2   |
| 5   | Damp Proof Test            | $40^{\circ}\text{C}\pm 2^{\circ}\text{C}$ , 90~95%RH, 96hrs  | 1,2   |
| 6   | Vibration Test             | Total fixed amplitude : 1.5mm<br>Vibration Frequency : 10~55Hz<br>One cycle 60 seconds to 3 directions of X, Y, Z<br>each 15 minutes   | 3     |
| 7   | Shock Test                 | To be measured after dropping from 60cm high<br>the concrete surface in packing state.<br><br> |       |

Note 1 :No dew condensation to be observed.

Note 2 :The function test shall be conducted after 4 hours storage at the normal Temperature and humidity after removed from the test chamber.

Note 3 :Vibration test will be conducted to the product itself without putting it in a container.

## 10. Appearance Standards

### 10.1. Inspection conditions

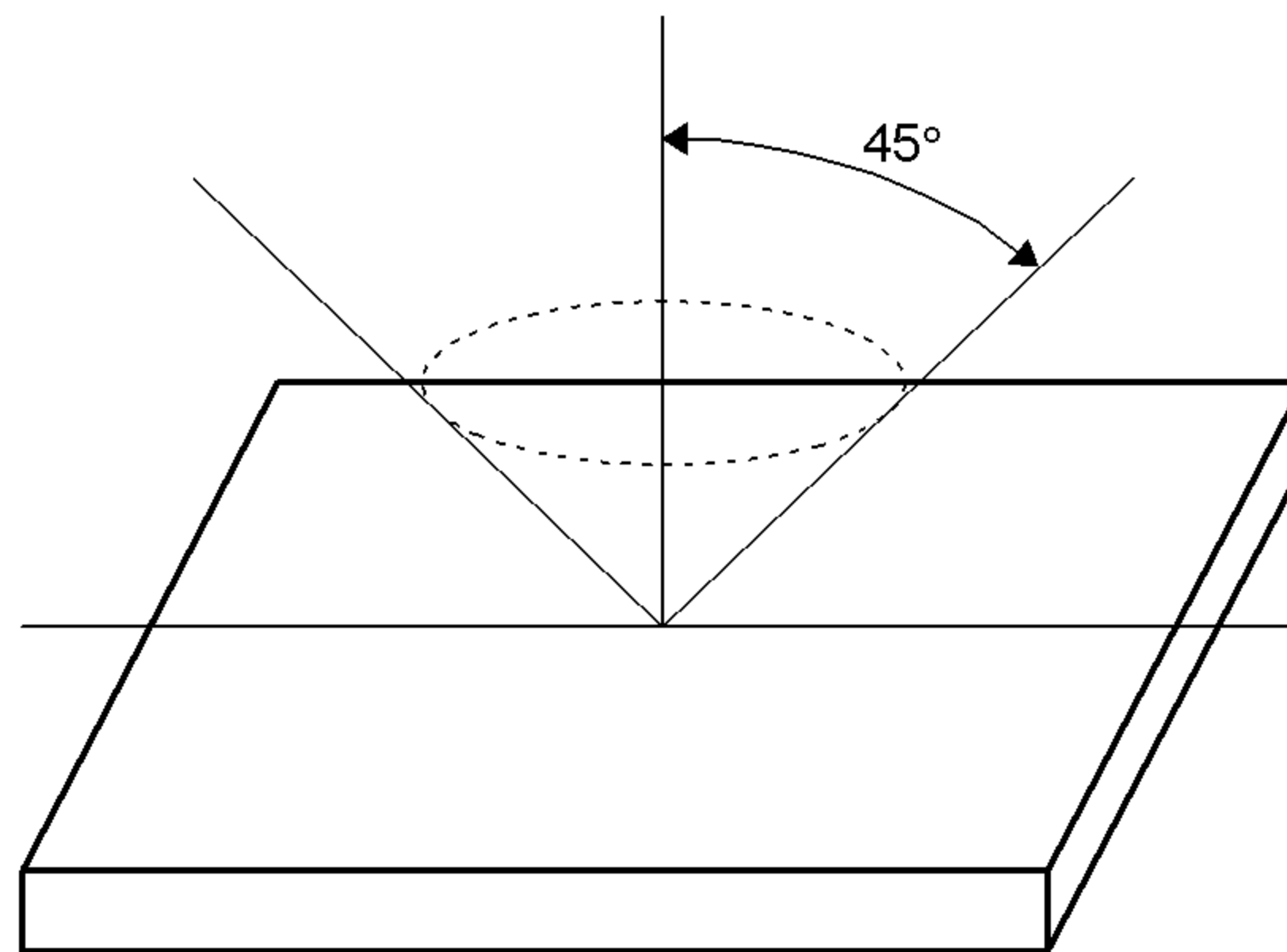
The LCD shall be inspected under the white fluorescent light.

Appearance Inspection: Illuminans > 500 [lx]

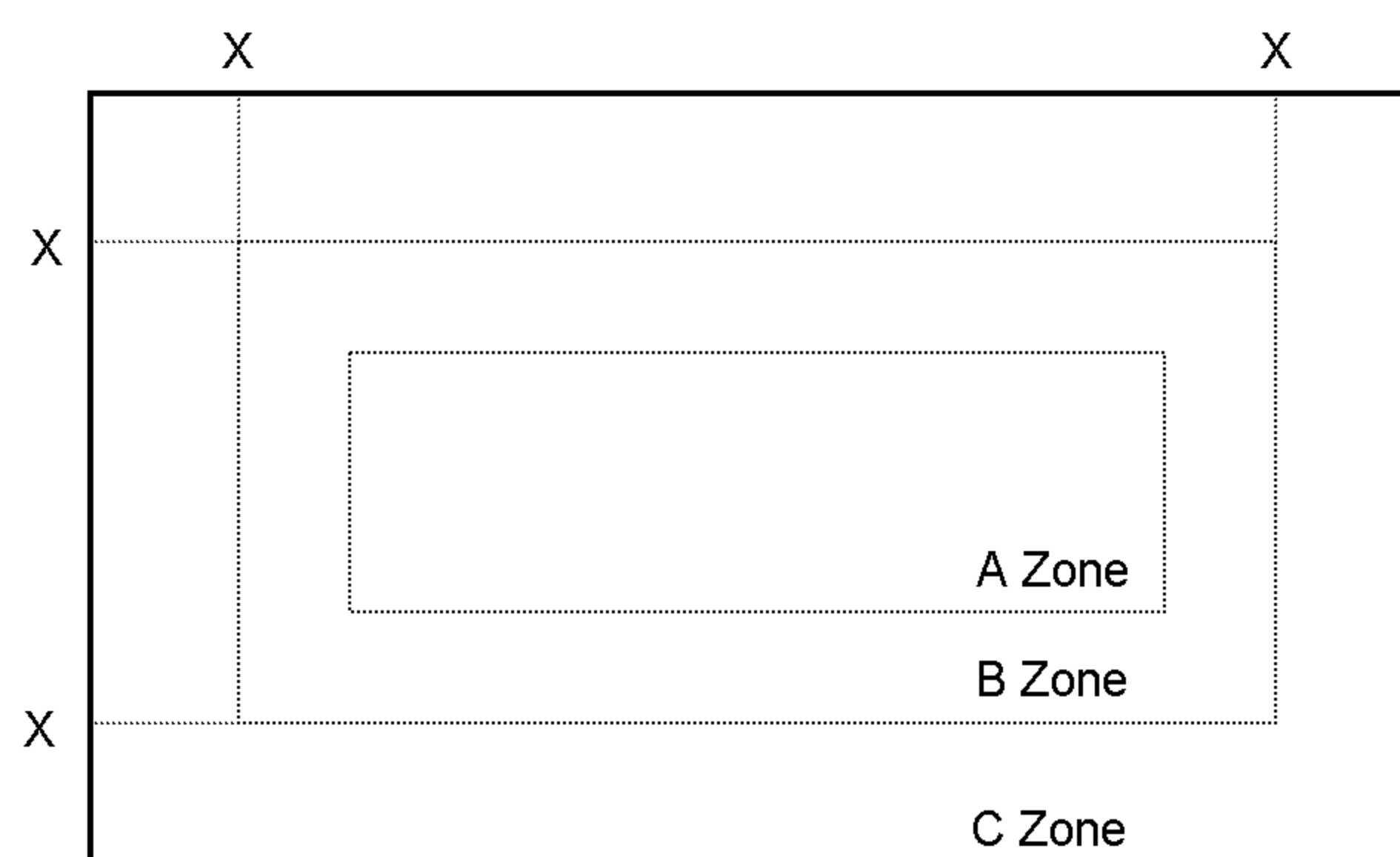
Operating Inspection: Illuminance < 250 [lx]

The distance between the eyes and the sample shall be more than 30cm.

All directions for inspecting the sample should be within 45° against perpendicular line.



### 10.2. Definition of applicable Zones



X : Metal Holder Opening

A Zone: Active display area

B Zone = (Viewing Area) – (Active Area)

C Zone: Rest parts



10.3.Standards

| No.                  | Parameter                          | Criteria   |      |                   |                   |  |                |       |       |   |                      |   |              |                      |            |   |   |           |               |   |  |   |   |            |                         |  |   |
|----------------------|------------------------------------|--|------|-------------------|-------------------|--|----------------|-------|-------|---|----------------------|---|--------------|----------------------|------------|---|---|-----------|---------------|---|--|---|---|------------|-------------------------|--|---|
| 1                    | Polarizer Scratches                | <table border="1"> <thead> <tr> <th colspan="2">Zone</th> <th colspan="3">Acceptable Number</th> </tr> <tr> <th>X(mm)</th> <th>Y(mm)</th> <th>A</th> <th>B</th> <th>C</th> </tr> </thead> <tbody> <tr> <td><math>L \leq 15</math></td> <td><math>0.01 &lt; W \leq 0.05</math></td> <td colspan="2">4</td> <td>*</td> </tr> <tr> <td><math>L &gt; 15</math></td> <td><math>W &gt; 0.01</math></td> <td colspan="2">0</td> <td>*</td> </tr> <tr> <td>-</td> <td><math>W &gt; 0.05</math></td> <td colspan="2">0</td> <td>*</td> </tr> </tbody> </table> <p>X : Length, Y : Width * : Disregard</p>               | Zone |                   | Acceptable Number |  |                | X(mm) | Y(mm) | A | B                    | C | $L \leq 15$  | $0.01 < W \leq 0.05$ | 4          |   | * | $L > 15$  | $W > 0.01$    | 0 |  | * | - | $W > 0.05$ | 0                       |  | * |
| Zone                 |                                    | Acceptable Number  |      |                   |                   |  |                |       |       |   |                      |   |              |                      |            |   |   |           |               |   |  |   |   |            |                         |  |   |
| X(mm)                | Y(mm)                              | A  | B    | C                 |                   |  |                |       |       |   |                      |   |              |                      |            |   |   |           |               |   |  |   |   |            |                         |  |   |
| $L \leq 15$          | $0.01 < W \leq 0.05$               | 4  |      | *                 |                   |  |                |       |       |   |                      |   |              |                      |            |   |   |           |               |   |  |   |   |            |                         |  |   |
| $L > 15$             | $W > 0.01$                         | 0  |      | *                 |                   |  |                |       |       |   |                      |   |              |                      |            |   |   |           |               |   |  |   |   |            |                         |  |   |
| -                    | $W > 0.05$                         | 0  |      | *                 |                   |  |                |       |       |   |                      |   |              |                      |            |   |   |           |               |   |  |   |   |            |                         |  |   |
| 2                    | DENT                               | <table border="1"> <thead> <tr> <th>Zone</th> <th colspan="3">Acceptable Number</th> </tr> <tr> <th>Dimension (mm)</th> <th>A</th> <th>B</th> <th>C</th> </tr> </thead> <tbody> <tr> <td><math>0.30 &lt; D \leq 0.50</math></td> <td colspan="2">4</td> <td>*</td> </tr> <tr> <td><math>0.50 &lt; D</math></td> <td colspan="2">0</td> <td>*</td> </tr> </tbody> </table> <p>D : Average Diameter = (long+short)/2 * : Disregard</p>   | Zone | Acceptable Number |                   |  | Dimension (mm) | A     | B     | C | $0.30 < D \leq 0.50$ | 4 |              | *                    | $0.50 < D$ | 0 |   | *         |               |   |  |   |   |            |                         |  |   |
| Zone                 | Acceptable Number                  |  |      |                   |                   |  |                |       |       |   |                      |   |              |                      |            |   |   |           |               |   |  |   |   |            |                         |  |   |
| Dimension (mm)       | A                                  | B  | C    |                   |                   |  |                |       |       |   |                      |   |              |                      |            |   |   |           |               |   |  |   |   |            |                         |  |   |
| $0.30 < D \leq 0.50$ | 4                                  |  | *    |                   |                   |  |                |       |       |   |                      |   |              |                      |            |   |   |           |               |   |  |   |   |            |                         |  |   |
| $0.50 < D$           | 0                                  |  | *    |                   |                   |  |                |       |       |   |                      |   |              |                      |            |   |   |           |               |   |  |   |   |            |                         |  |   |
| 3                    | BLACK SPOT<br>WHITE SPOT<br>BUBBLE | <table border="1"> <thead> <tr> <th>Zone</th> <th colspan="3">Acceptable Number</th> </tr> <tr> <th>Dimension (mm)</th> <th>A</th> <th>B</th> <th>C</th> </tr> </thead> <tbody> <tr> <td><math>0.30 &lt; D \leq 0.50</math></td> <td colspan="2">5</td> <td>*</td> </tr> <tr> <td><math>0.50 &lt; D</math></td> <td colspan="2">0</td> <td>*</td> </tr> </tbody> </table>  | Zone | Acceptable Number |                   |  | Dimension (mm) | A     | B     | C | $0.30 < D \leq 0.50$ | 5 |              | *                    | $0.50 < D$ | 0 |   | *         |               |   |  |   |   |            |                         |  |   |
| Zone                 | Acceptable Number                  |  |      |                   |                   |  |                |       |       |   |                      |   |              |                      |            |   |   |           |               |   |  |   |   |            |                         |  |   |
| Dimension (mm)       | A                                  | B  | C    |                   |                   |  |                |       |       |   |                      |   |              |                      |            |   |   |           |               |   |  |   |   |            |                         |  |   |
| $0.30 < D \leq 0.50$ | 5                                  |  | *    |                   |                   |  |                |       |       |   |                      |   |              |                      |            |   |   |           |               |   |  |   |   |            |                         |  |   |
| $0.50 < D$           | 0                                  |  | *    |                   |                   |  |                |       |       |   |                      |   |              |                      |            |   |   |           |               |   |  |   |   |            |                         |  |   |
| 4                    | LINT                               | <table border="1"> <thead> <tr> <th colspan="2">Zone</th> <th colspan="3">Acceptable Number</th> </tr> <tr> <th>X(mm)</th> <th>Y(mm)</th> <th>A</th> <th>B</th> <th>C</th> </tr> </thead> <tbody> <tr> <td><math>L \leq 3.0</math></td> <td><math>W \leq 0.15</math></td> <td colspan="2">4</td> <td>*</td> </tr> <tr> <td><math>L &gt; 3.0</math></td> <td><math>W \leq 0.15</math></td> <td colspan="2">0</td> <td>*</td> </tr> <tr> <td>-</td> <td><math>W &gt; 0.15</math></td> <td colspan="2">According to BLACK SPOT</td> <td>*</td> </tr> </tbody> </table> <p>X : Length, Y : Width * : Disregard</p> | Zone |                   | Acceptable Number |  |                | X(mm) | Y(mm) | A | B                    | C | $L \leq 3.0$ | $W \leq 0.15$        | 4          |   | * | $L > 3.0$ | $W \leq 0.15$ | 0 |  | * | - | $W > 0.15$ | According to BLACK SPOT |  | * |
| Zone                 |                                    | Acceptable Number  |      |                   |                   |  |                |       |       |   |                      |   |              |                      |            |   |   |           |               |   |  |   |   |            |                         |  |   |
| X(mm)                | Y(mm)                              | A  | B    | C                 |                   |  |                |       |       |   |                      |   |              |                      |            |   |   |           |               |   |  |   |   |            |                         |  |   |
| $L \leq 3.0$         | $W \leq 0.15$                      | 4  |      | *                 |                   |  |                |       |       |   |                      |   |              |                      |            |   |   |           |               |   |  |   |   |            |                         |  |   |
| $L > 3.0$            | $W \leq 0.15$                      | 0  |      | *                 |                   |  |                |       |       |   |                      |   |              |                      |            |   |   |           |               |   |  |   |   |            |                         |  |   |
| -                    | $W > 0.15$                         | According to BLACK SPOT  |      | *                 |                   |  |                |       |       |   |                      |   |              |                      |            |   |   |           |               |   |  |   |   |            |                         |  |   |

| No.                               | Parameter  |                        | Criteria  |                        |                   |                        |                   |   |   |   |                    |         |                  |   |                  |         |                |   |  |   |       |   |  |  |
|-----------------------------------|--|------------------------|---|------------------------|-------------------|------------------------|-------------------|---|---|---|--------------------|---------|------------------|---|------------------|---------|----------------|---|--|---|-------|---|--|--|
| 5                                 | Dot Defect   | (a)<br>Bright Dot      | <table border="1"> <thead> <tr> <th rowspan="2">Zone<br/>Dimension (mm)</th> <th colspan="3">Acceptable Number</th> </tr> <tr> <th>A</th> <th>B</th> <th>C</th> </tr> </thead> <tbody> <tr> <td>Bright Dot Note1</td> <td colspan="2">4</td> <td>*</td> </tr> <tr> <td>Dark Dot Note2</td> <td colspan="2">5</td> <td>*</td> </tr> <tr> <td>TOTAL</td> <td colspan="3">5</td> </tr> </tbody> </table> |                        |                   | Zone<br>Dimension (mm) | Acceptable Number |   |   | A | B                  | C       | Bright Dot Note1 | 4 |                  | *       | Dark Dot Note2 | 5 |  | * | TOTAL | 5 |  |  |
|                                   |  | Zone<br>Dimension (mm) | Acceptable Number   |                        |                   |                        |                   |   |   |   |                    |         |                  |   |                  |         |                |   |  |   |       |   |  |  |
|                                   |  |                        | A   | B                      | C                 |                        |                   |   |   |   |                    |         |                  |   |                  |         |                |   |  |   |       |   |  |  |
|                                   |  | Bright Dot Note1       | 4   |                        | *                 |                        |                   |   |   |   |                    |         |                  |   |                  |         |                |   |  |   |       |   |  |  |
| Dark Dot Note2                    | 5  |                        | *   |                        |                   |                        |                   |   |   |   |                    |         |                  |   |                  |         |                |   |  |   |       |   |  |  |
| TOTAL                             | 5  |                        |   |                        |                   |                        |                   |   |   |   |                    |         |                  |   |                  |         |                |   |  |   |       |   |  |  |
| (c)<br>TWO Adjacent Dot           | <table border="1"> <thead> <tr> <th rowspan="2">Zone<br/>Dimension (mm)</th> <th colspan="3">Acceptable Number</th> </tr> <tr> <th>A</th> <th>B</th> <th>C</th> </tr> </thead> <tbody> <tr> <td>Bright Dot Note1,3</td> <td colspan="2">2 PAIRS</td> <td>*</td> </tr> <tr> <td>Dark Dot Note2,3</td> <td colspan="2">3 PAIRS</td> <td>*</td> </tr> </tbody> </table> |                        |   | Zone<br>Dimension (mm) | Acceptable Number |                        |                   | A | B | C | Bright Dot Note1,3 | 2 PAIRS |                  | * | Dark Dot Note2,3 | 3 PAIRS |                | * |  |   |       |   |  |  |
| Zone<br>Dimension (mm)            | Acceptable Number  |                        |   |                        |                   |                        |                   |   |   |   |                    |         |                  |   |                  |         |                |   |  |   |       |   |  |  |
|                                   | A  | B                      | C   |                        |                   |                        |                   |   |   |   |                    |         |                  |   |                  |         |                |   |  |   |       |   |  |  |
| Bright Dot Note1,3                | 2 PAIRS  |                        | *   |                        |                   |                        |                   |   |   |   |                    |         |                  |   |                  |         |                |   |  |   |       |   |  |  |
| Dark Dot Note2,3                  | 3 PAIRS  |                        | *   |                        |                   |                        |                   |   |   |   |                    |         |                  |   |                  |         |                |   |  |   |       |   |  |  |
| (d)<br>Three or More Adjacent Dot | NOT ALLOWED  |                        |   |                        |                   |                        |                   |   |   |   |                    |         |                  |   |                  |         |                |   |  |   |       |   |  |  |
| (e)<br>Distance                   | <table border="1"> <thead> <tr> <th rowspan="2">Zone<br/>Dimension (mm)</th> <th colspan="3">Acceptable Level</th> </tr> <tr> <th>A</th> <th>B</th> <th>C</th> </tr> </thead> <tbody> <tr> <td>Bright Dot</td> <td colspan="2">5 mm ≤</td> <td>*</td> </tr> <tr> <td>Dark Dot</td> <td colspan="2">5 mm ≤</td> <td>*</td> </tr> </tbody> </table>                    |                        |   | Zone<br>Dimension (mm) | Acceptable Level  |                        |                   | A | B | C | Bright Dot         | 5 mm ≤  |                  | * | Dark Dot         | 5 mm ≤  |                | * |  |   |       |   |  |  |
| Zone<br>Dimension (mm)            | Acceptable Level   |                        |   |                        |                   |                        |                   |   |   |   |                    |         |                  |   |                  |         |                |   |  |   |       |   |  |  |
|                                   | A  | B                      | C   |                        |                   |                        |                   |   |   |   |                    |         |                  |   |                  |         |                |   |  |   |       |   |  |  |
| Bright Dot                        | 5 mm ≤   |                        | *   |                        |                   |                        |                   |   |   |   |                    |         |                  |   |                  |         |                |   |  |   |       |   |  |  |
| Dark Dot                          | 5 mm ≤   |                        | *   |                        |                   |                        |                   |   |   |   |                    |         |                  |   |                  |         |                |   |  |   |       |   |  |  |
| 6                                 | Line Defect  | NOT ALLOWED            |   |                        |                   |                        |                   |   |   |   |                    |         |                  |   |                  |         |                |   |  |   |       |   |  |  |

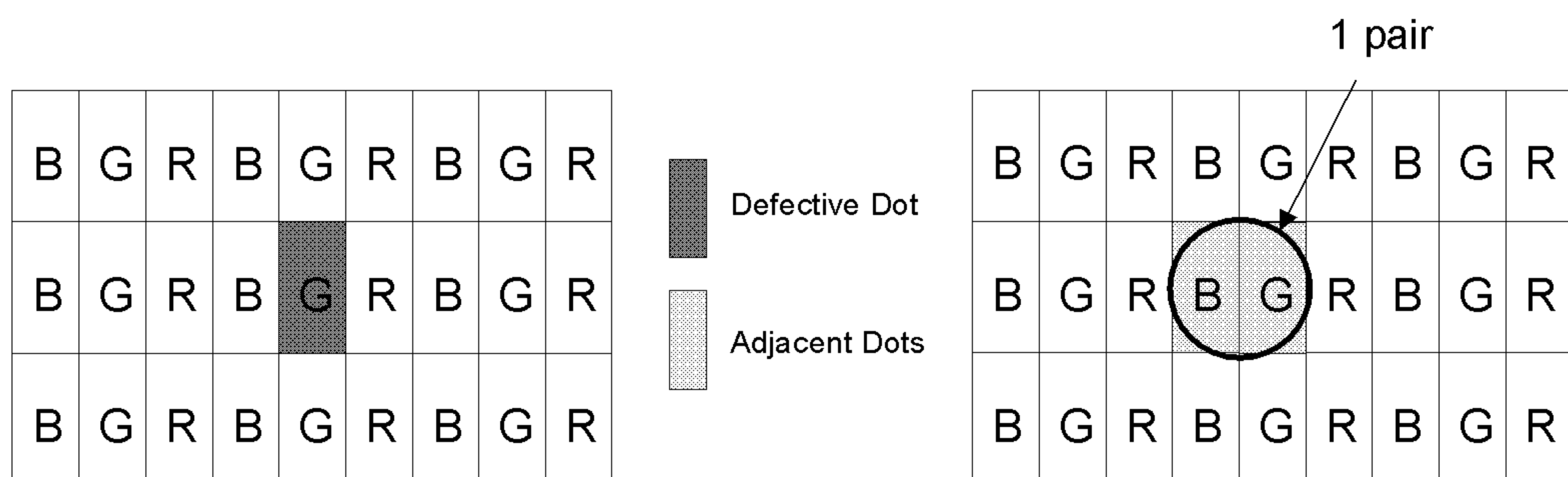
Note 1: Bright Dot is defined as follows:

Visible through 5% transmission ND filter under the condition that black image (color 0) is on the display.

Note 2: Dark Dot is defined as follows:

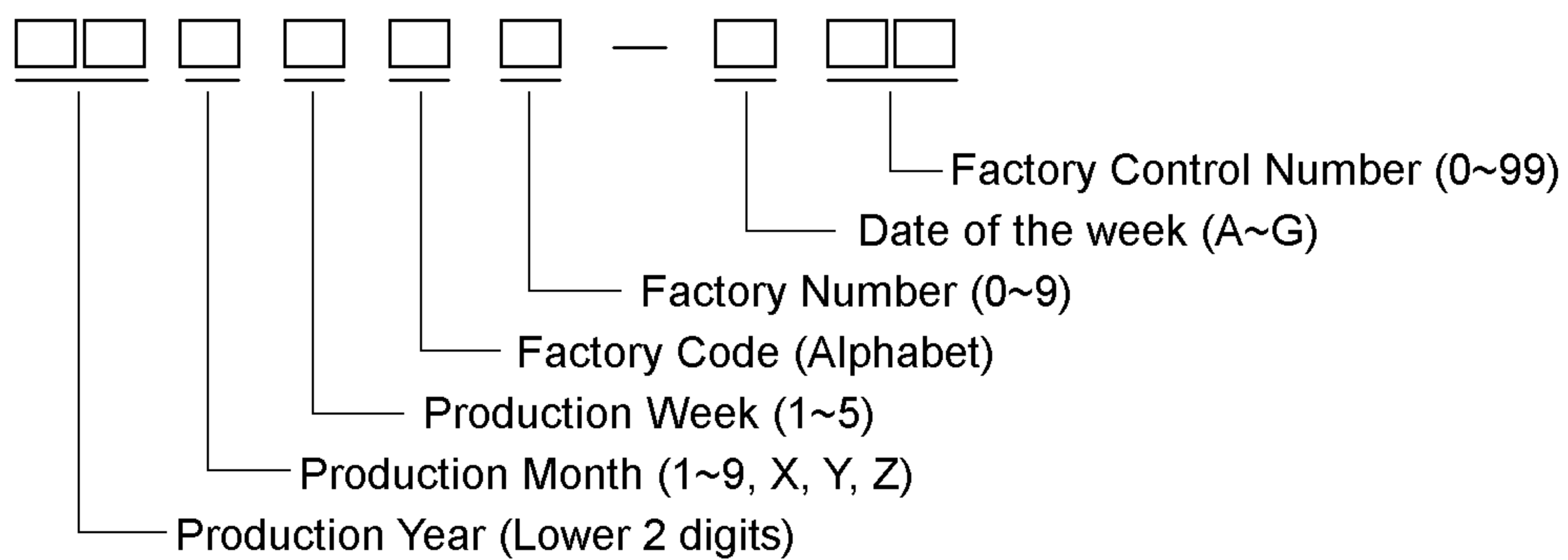
Recognizable darker than around under the condition that each R(63), G(63), B(63) image is on the display.

Note 3: Definition of adjacent



## 11. Code System of Production Lot

The production lot of module is specified as follows.



## 12. Type Number

The type number of module is specified as follows.

T-55265GD057J-LW-AFN

## 13. Applying Precautions

Please contact us when questions and/or new problems not specified in this Specifications arise.

## 14. Precautions Relating Product Handling

The Following precautions will guide you in handling our product correctly.

- 1) Liquid crystal display devices
  1. The liquid crystal display panel used in the liquid crystal display module is made of plate glass. Avoid any strong mechanical shock. Should the glass break handle it with care. The polarizer adhering to the surface of the LCD is made of a soft material. Guard against scratching it.
- 2) Care of the liquid crystal display module against static electricity discharge.
  1. When working with the module, be sure to ground your body and any electrical equipment you may be using. We strongly recommend the use of anti static mats (made of rubber), to protect worktables against the hazards of electrical shock.
  2. Avoid the use of work clothing made of synthetic fibers. We recommend cotton clothing or other conductivity-treated fibers.
  3. Slowly and carefully remove the protective film from the LCD module, since this operation can generate static electricity.
- 3) When the LCD module must be stored for long periods of time:
  1. Protect the modules from high temperature and humidity.  
Conditions:           Temperature: 0°C~40°C  
                          Humidity : Less than 60%RH  
                          No dew condensation to be observed.
  2. Keep the modules out of direct sunlight or direct exposure to ultraviolet rays.
  3. Protect the modules from excessive external forces.
- 4) Use the module with a power supply that is equipped with an overcurrent protector circuit, since the module is not provided with this protective feature.
- 5) Do not ingest the LCD fluid itself should it leak out of a damaged LCD module. Should hands or clothing come in contact with LCD fluid, wash immediately with soap.
- 6) Conductivity is not guaranteed for models that use metal holders where solder connections between the metal holder and the PCB are not used. Please contact us to discuss appropriate ways to assure conductivity.
- 7) For models which use CFL:
  1. High voltage of 1000V or greater is applied to the CFL cable connector area.  
Care should be taken not to touch connection areas to avoid burns.
  2. Protect CFL cables from rubbing against the unit and thus causing the wire jacket to become worn.
  3. The use of CFLs for extended periods of time at low temperatures will significantly shorten their service life.
  4. After storing the product (or LCD) under low temperature and/or in dark atmosphere for a long period of time, CCFL may take longer time to reach its specified brightness.
- 8) For models which use touch panels:
  1. Do not stack up modules since they can be damaged by components on neighboring modules.
  2. Do not place heavy objects on top of the product. This could cause glass breakage.

9) For models which use COG, TCP, or COF:

1. The mechanical strength of the product is low since the IC chip faces out unprotected from the rear. Be sure to protect the rear of the IC chip from external forces.
2. Given the fact that the rear of the IC chip is left exposed, in order to protect the unit from electrical damage, avoid installation configurations in which the rear of the IC chip runs the risk of making any electrical contact.

10) Models which use flexible cable, heat seal, or TCP:

1. In order to maintain reliability, do not touch or hold by the connector area.
2. Avoid any bending, pulling, or other excessive force, which can result in broken connections.

11) In case of buffer material such as cushion / gasket is assembled into LCD module, it may have an adverse effect on connecting parts (LCD panel-TCP / HEAT SEAL / FPC / etc., PCB-TCP / HEAT SEAL / FPC etc., TCP-HEAT SEAL, TCP-FPC, HEAT SEAL-FPC, etc.) depending on its materials. Please check and evaluate these materials carefully before use.

12) In case of acrylic plate is attached to front side of LCD panel, cloudiness (very small cracks) can occur on acrylic plate, being influenced by some components generated from polarizer film. Please check and evaluate those acrylic materials carefully before use.

13) Flickering due to optical interference may occur by combination of a) LCD driving frame frequency decided by either internal oscillator in driver IC or external clock input by the customer and b) lighting frequency of either backlight or other light sources. Please evaluate enough at the environment of actual use, and decide the driving condition that does not cause flickering.

14) Please be advised that do not apply Direct Current (DC) voltage to the LCD. If DC voltage is applied to the LCD, then it may cause poor display quality.

## 15. Warranty

This product has been manufactured to your company's specifications as a part for use in your company's general electronic products. It is guaranteed to perform according to delivery specifications. For any other use apart from general electronic equipment, we cannot take responsibility if the product is used in medical devices, nuclear power control equipment, aerospace equipment, fire and security systems, or any other applications in which there is a direct risk to human life and where extremely high levels of reliability are required. If the product is to be used in any of the above applications, we will need to enter into a separate product liability agreement.

- 1) We cannot accept responsibility for any defect, which may arise from additional manufacturing of the product (including disassembly and reassembly), after product delivery.
- 2) We cannot accept responsibility for any defect, which may arise after the application of strong external force to the product.
- 3) We cannot accept responsibility for any defect, which may arise due to the application of static electricity after the product has passed your company's acceptance inspection procedures.
- 4) When the product is in CFL models, CFL service life and brightness will vary according to the performance of the inverter used, leaks, etc. We cannot accept responsibility for product performance, reliability, or defect, which may arise.
- 5) We cannot accept responsibility for intellectual property of a third party, which may arise through the application of our product to your assembly with exception to those issues relating directly to the structure or method of manufacturing of our product.
- 6) We will not be held responsible for any quality issue(s) after two years and beyond from its production date indicated on the lot number (please refer to "Code System of Production Lot" indicated earlier in this specification).

Our company network supports you worldwide with offices in Germany, Austria, Switzerland, the UK and the USA. For more information please contact:

## Headquarters

Germany



**FORTEC Elektronik AG**

Lechwiesenstr. 9  
86899 Landsberg am Lech

Phone: +49 8191 91172-0  
E-Mail: [sales@forteca.de](mailto:sales@forteca.de)  
Internet: [www.forteca.de](http://www.forteca.de)

## Fortec Group Members

Austria



**FORTEC Elektronik AG**

**Office Vienna**

Nuschinggasse 12  
1230 Wien

Phone: +43 1 8673492-0  
E-Mail: [office@fortec.at](mailto:office@fortec.at)  
Internet: [www.fortec.at](http://www.fortec.at)

Germany



**Distec GmbH**

Augsburger Str. 2b  
82110 Germering

Phone: +49 89 894363-0  
E-Mail: [info@distec.de](mailto:info@distec.de)  
Internet: [www.distec.de](http://www.distec.de)

Switzerland



**ALTRAC AG**

Bahnhofstraße 3  
5436 Würenlos

Phone: +41 44 7446111  
E-Mail: [info@altrac.ch](mailto:info@altrac.ch)  
Internet: [www.altrac.ch](http://www.altrac.ch)

United Kingdom



**Display Technology Ltd.**

Osprey House, 1 Osprey Court  
Hichingbrooke Business Park  
Huntingdon, Cambridgeshire, PE29 6FN

Phone: +44 1480 411600  
E-Mail: [info@displaytechnology.co.uk](mailto:info@displaytechnology.co.uk)  
Internet: [www.displaytechnology.co.uk](http://www.displaytechnology.co.uk)

USA



**Apollo Display Technologies, Corp.**

87 Raynor Avenue,  
Unit 1 Ronkonkoma,  
NY 11779

Phone: +1 631 5804360  
E-Mail: [info@apolloDisplays.com](mailto:info@apolloDisplays.com)  
Internet: [www.apolloDisplays.com](http://www.apolloDisplays.com)