

OUR GLOBAL  
COMPETENCE  
CENTRES

 APOLLO DISPLAY  
TECHNOLOGIES



 DISTEC



 DISPLAY  
TECHNOLOGY



# Datasheet

## Optrex

### T-55265GD057J-LW-ACN

OP-01-098

Version 1.0

**24.09.2010**

The information contained in this document has been carefully researched and is, to the best of our knowledge, accurate. However, we assume no liability for any product failures or damages, immediate or consequential, resulting from the use of the information provided herein. Our products are not intended for use in systems in which failures of product could result in personal injury. All trademarks mentioned herein are property of their respective owners. All specifications are subject to change without notice.

---

# LCD Module Technical Specification

First Edition  
Oct. 27, 2008

Final Revision  
Feb.16, 2010

Type No. **T-55265GD057J-LW-ACN**

Customer : **OPTREX STANDARD**

Customer's Product No : -----

## OPTREX CORPORATION

Approved: *Yasuo Kawasaki*  
*QUALITY ASSURANCE DIVISION*

Checked: *Noboru Wada*  
*Design G.*

Prepared: *Satoshi Sano*  
*Design G.*

**APPROVED**

By

Signature :

Date :

Please return this specification within two month with your signature.  
If not returned within two month, specification will be considered  
as having been accepted.

## Table of Contents

1. Application.....	3
2. General Specifications.....	3
3. Operating Conditions.....	3
4. Dimensinal Outline.....	4
5. Block Diagram.....	5
6. I/O Terminal.....	6
7. Electrical Specifications.....	8
8. Optical Specifications.....	16
9. Test.....	22
10. Appearance Standards.....	23
11. Code System of Production Lot.....	28
12. Type Number.....	28
13. Applying Precautions.....	28
14. Precautions Relating Product Handling.....	29
15. Warranty.....	31

## Revision History

Rev.	Date	Page	Comment
1	Nov.28, 2008	4	4. Dimensinal Outline Revise of Dimensinal Outline Rev.A → Rev.B
		6	6. I/O Terminal Changed the code of Connector 08-6210-033(ELCO) → 08-6260-033-340-829+
2	Jan.21, 2010	4	4. Dimensinal Outline Revise of Dimensinal Outline Rev.B → Rev.C
		15	7.8. Touch Panel Specifications Operation Force Min.20→10, Max.120→100
		30	14. Precautions Relating Product Handling 14) is added.
3	Feb.16, 2010	15	7.8. Touch Panel Specifications Operation life is added.

## 1. Application

This specification applies to 5.7" color TFT-LCD module 「With touch panel」  
(T-55265GD057J-LW-ACN).

## 2. General Specifications

Dot Pixels	:	320×3 [R.G.B] (W) × 240 (H) dots
Dot Size	:	0.12×3 [R.G.B] (W) × 0.36 (H) mm
Pixel Arrangement	:	RGB-Stripe
Color Depth	:	262,144 colors
Viewing Area	:	117.88 (W) × 88.24 (H) mm
Outline Dimensions	:	144.0 (W) × 104.6* (H) × 15.1max. (D) mm * Without LED Cable
Weight	:	306g max.
LCD Type	:	ATS-25837 (TFT / Normally white-mode / Transmissive)
Viewing Angle	:	6:00 (Angle of Least Color Inversion)
Interface	:	18-bit RGB interface(6-bit / color)
Backlight	:	LED Backlight / White
Touch Panel	:	Resistive Type (4-wire)
RoHS regulation	:	To our best knowledge, this product satisfies material requirement of RoHS regulation. Our company is doing the best efforts to obtain the equivalent certificate from our suppliers.

## 3. Operating Conditions

Item	Conditions	Temperature Range	Remark
Operating Temperature Range	Display Surface	-20~70°C	Note1
Storage Temperature Range	Display Surface	-30~80°C	

Note1: Operating temperature range defines the operation only and the contrast, response time and other display optical characteristics are set at Ta=+25°C.

# 4. Dimensional Outline

REVISE	REVISIONS	DATE
A	CORRECTED FOR LENGTH OF FINAL APPROVAL DURING INSPECTION OF THE MODEL FOR DIMENSIONS AND DIMENSIONAL ACCURACY.	12/10/2018
B	ADDED A NEW VIEW TO SHOW THE INTERNAL STRUCTURE AND AIR FLOW DIRECTION.	01/05/2019

**NOTE:**  
 1. ALL DIMENSIONS WITH THE MARKING '●' ARE CONTROLLED AS A PARTICULAR CHARACTERISTIC.  
 2. TOLERANCE WITHIN INDICATED GRADES.

QTY.	PART SYMBOL	MATERIAL	DESCRIPTION
1	1-PCD	21-24	WHITE SHEET
2	2-PO	8-55	BLUETRAY
3	3-06-03	RED	RED
4	4-06-03	WH-1	WH-1
5	5-06-03	BLACK	BLACK
6	6-06-03	RED	RED
7	7-06-03	WHITE	WHITE

QTY.	PART SYMBOL	MATERIAL	DESCRIPTION
1	1-RP	21-24	WHITE SHEET
2	2-PO	8-55	BLUETRAY
3	3-06-03	RED	RED
4	4-06-03	WH-1	WH-1
5	5-06-03	BLACK	BLACK
6	6-06-03	RED	RED
7	7-06-03	WHITE	WHITE

**PART ASSIGNMENT:**

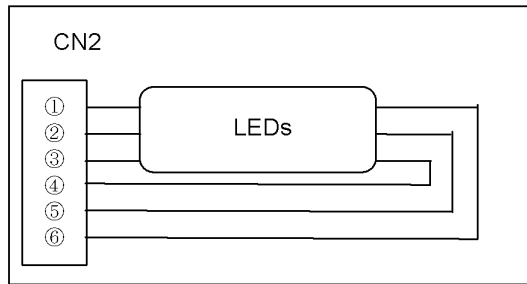
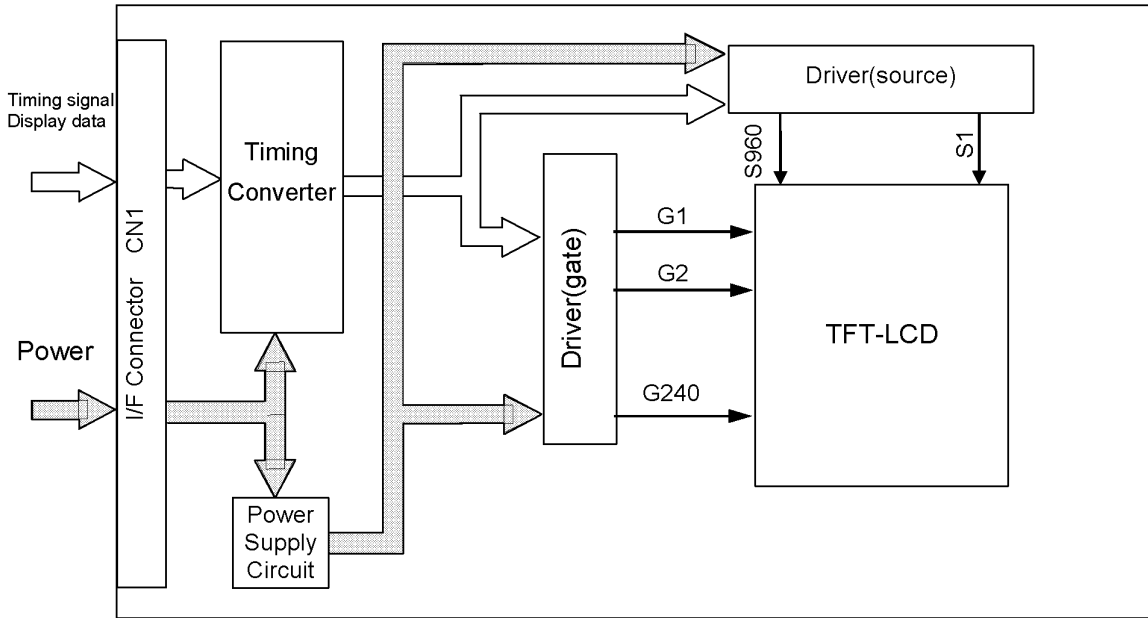
QTY.	PART SYMBOL	MATERIAL	DESCRIPTION
1	1-PCD	21-24	WHITE SHEET
2	2-PO	8-55	BLUETRAY
3	3-06-03	RED	RED
4	4-06-03	WH-1	WH-1
5	5-06-03	BLACK	BLACK
6	6-06-03	RED	RED
7	7-06-03	WHITE	WHITE

**DIMENSIONAL OUTLINE**

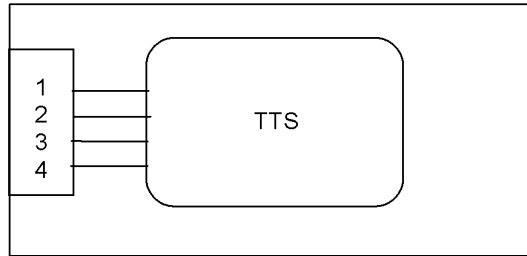
DATE: 2008/12/08	DRAWN BY: Y. YAMAMOTO	DATE: 2008/12/08
DESIGNED BY: Y. YAMAMOTO	CHECKED BY: Y. YAMAMOTO	DATE: 2008/12/08
APP. BY: Y. YAMAMOTO	DATE: 2008/12/08	

Y. YAMAMOTO  
 T-55265GD base  
 T-55265GD base

## 5. Block Diagram



BACKLIGHT



Touch Panel

## 6. I/O Terminal

### 6.1. CN1 Pin Assignment (INTERFACE SIGNAL)

Used connector 08-6260-033-340-829+

Corresponding FPC: P0.5, 33pin, t=0.3mm

No.	Symbol	Functional Discription
1	GND	Power Supply (0V, GND)
2	CK	Clock Signal
3	HSYC	Horizontal Sync Input
4	VSYC	Vertical Sync Input
5	GND	Power Supply (0V, GND)
6	R0	Red Data Signal
7	R1	Red Data Signal
8	R2	Red Data Signal
9	R3	Red Data Signal
10	R4	Red Data Signal
11	R5	Red Data Signal
12	GND	Power Supply (0V, GND)
13	G0	Green Data Signal
14	G1	Green Data Signal
15	G2	Green Data Signal
16	G3	Green Data Signal
17	G4	Green Data Signal
18	G5	Green Data Signal
19	GND	Power Supply (0V, GND)
20	B0	Blue Data Signal
21	B1	Blue Data Signal
22	B2	Blue Data Signal
23	B3	Blue Data Signal
24	B4	Blue Data Signal
25	B5	Blue Data Signal
26	GND	Power Supply (0V, GND)
27	ENAB	Input Data Enable Control
28	VCC(3.3V)	Power Supply for Logic
29	VCC(3.3V)	Power Supply for Logic
30	R/L	Control the shift direction of device internal shift resister
31	U/D	Set the Up/Down scan direction
32	NC	Non Connection
33	GND	Power Supply (0V, GND)



### 6.2.CN2 Pin Assignment (Backlight)

Used connector : SHLP-06V-S-B(JST)

Corresponding connector : SM06B-SHLS-TF(JST)

No.	Symbol	Functional Discription
1	Anode 1	LED Anode Terminal
2	Anode 2	LED Anode Terminal
3	Anode 3	LED Anode Terminal
4	Cathode 1	LED Cathode Terminal
5	Cathode 2	LED Cathode Terminal
6	Cathode 3	LED Cathode Terminal

### 6.3.CN3 Pin Assignment (Touch Panel)

Used FPC: P1.0mm, 4Pin, T=0.3mm

Corresponding connector: 6227 Series(ELCO)

No.	Symbol	Functional Description
1	XR	X right side
2	YU	Y 12o'clock side
3	XL	X left side
4	YD	Y 6o'clock side

## 7. Electrical Specifications

### 7.1. Absolute Maximum Ratings

Ta=-20~70°C, VSS=0V

Parameter	Symbol	Conditions	Min.	Max.	Units
Supply Voltage for LCD	VCC	-	-0.3	+7.0	V

### 7.2. DC Characteristics

Ta=-20~70°C, VSS=0V

Parameter	Symbol	Min.	Typ.	Max.	Units
Supply Voltage for LCD	VCC	3.0	3.3	3.6	V
High Level Input Voltage	V <sub>IH</sub>	0.7VCC	-	VCC	V
Low Level Input Voltage	V <sub>IL</sub>	0	-	0.3VCC	V
Power Supply Current for LCD	ICC	-	100	150	mA

#### A) Typical current condition

All black pattern with frame 240 line mode.

VCC=+3.3V, f<sub>H</sub>=15.7kHz, f<sub>V</sub>=60Hz, f<sub>CLK</sub>=6.4MHz

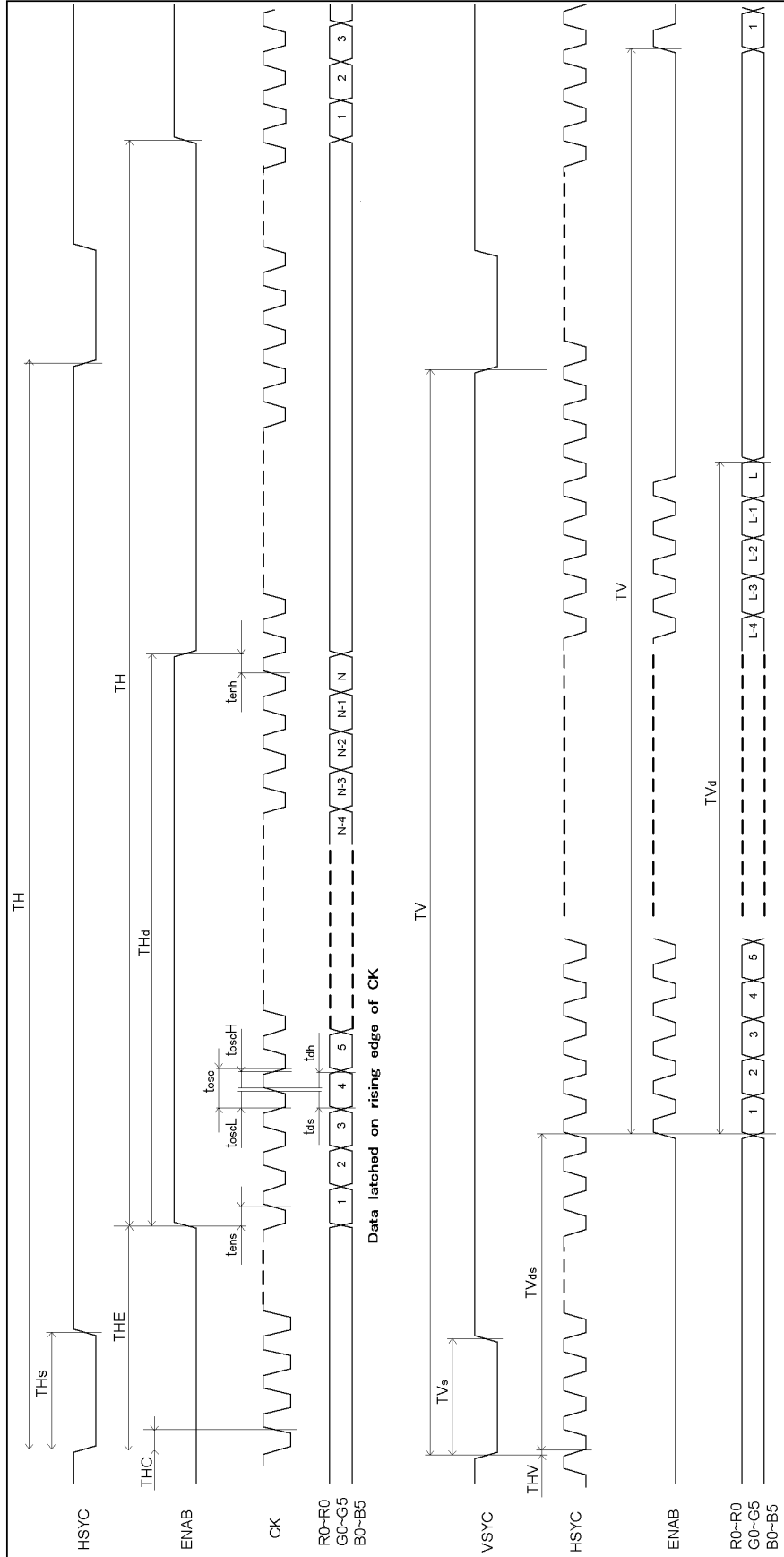
### 7.3.AC Characteristics

#### 7.3.1.Digital Parallel RGB Interface Timing

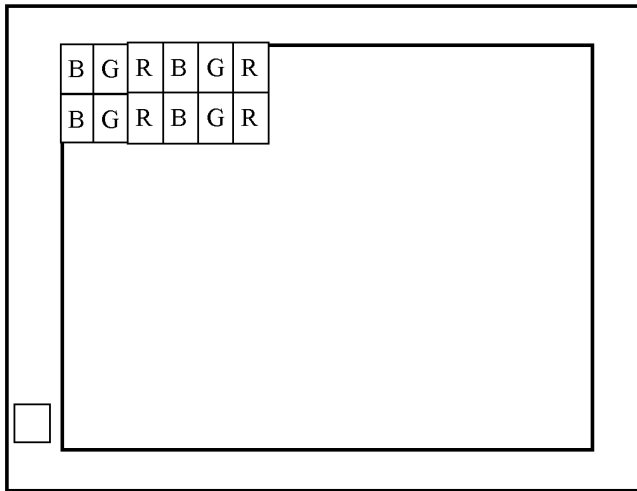
Ta=-20~70°C, VCC=3.0~3.6V

Parameter	Symbol	Min.	Typ.	Max.	Units
CK Frequency	1/tosc	-	6.4	-	MHz
CK Period	tosc	-	156	-	ns
CK High Pulse Width Time	tosch	12	-	-	ns
CK Low Pulse Width Time	toscl	12	-	-	ns
CK Pulse Duty ratio	tosch/ tosc	-	50	-	%
Data Setup time	tds	12	-	-	ns
Data Hold time	tdh	12	-	-	ns
HSYC (Horizontal Sync.) Signal Cycle	TH	-	62.8	-	μs
		-	408	450	clk
HSYC Pulse Width	THs	5	30	-	clk
Horizontal Display Term	THd	-	320	-	clk
ENAB Setup Time	tens	12	-	-	ns
ENAB Hold Time	tenh	12	-	-	ns
VSYC (Vertical Sync.) Signal Cycle	TV	-	262	350	Line
VSYC Pulse Width	TVs	1	3	5	Line
Vertical Display Term	TVd	-	240	-	Line
Vertical Display Start	TVds	-	18	-	Line
HSYC-ENAB Phase Difference	THE	-	68	-	clk
HSYC-CK Phase Difference	THC	12	-	-	ns
HSYC-VSYC Phase Difference	THV	1	-	-	clk

### 7.3.2. Input Signal Timing



#### 7.4.Pixel Alignment



7.5.Color Data Assignment

COLOR	INPUT DATA	R DATA						G DATA						B DATA					
		MSB			LSB			MSB			LSB			MSB			LSB		
		R5	R4	R3	R2	R1	R0	G5	G4	G3	G2	G1	G0	B5	B4	B3	B2	B1	B0
BASIC COLOR	BLACK	0	0	0	0	0	0	0	0	0	0	0	0	0	0	0	0	0	0
	RED (63)	1	1	1	1	1	1	0	0	0	0	0	0	0	0	0	0	0	0
	GREEN (63)	0	0	0	0	0	0	1	1	1	1	1	1	0	0	0	0	0	0
	BLUE (63)	0	0	0	0	0	0	0	0	0	0	0	0	1	1	1	1	1	1
	CYAN	0	0	0	0	0	0	1	1	1	1	1	1	1	1	1	1	1	1
	MAGENTA	1	1	1	1	1	1	0	0	0	0	0	0	0	1	1	1	1	1
	YELLOW	1	1	1	1	1	1	1	1	1	1	1	1	0	0	0	0	0	0
	WHITE	1	1	1	1	1	1	1	1	1	1	1	1	1	1	1	1	1	1
RED	RED (0)	0	0	0	0	0	0	0	0	0	0	0	0	0	0	0	0	0	
	RED (1)	0	0	0	0	0	1	0	0	0	0	0	0	0	0	0	0	0	
	RED (2)	0	0	0	0	1	0	0	0	0	0	0	0	0	0	0	0	0	
	RED (62)	1	1	1	1	1	0	0	0	0	0	0	0	0	0	0	0	0	0
	RED (63)	1	1	1	1	1	1	0	0	0	0	0	0	0	0	0	0	0	0
GREEN	GREEN (0)	0	0	0	0	0	0	0	0	0	0	0	0	0	0	0	0	0	
	GREEN (1)	0	0	0	0	0	0	0	0	0	0	0	1	0	0	0	0	0	
	GREEN (2)	0	0	0	0	0	0	0	0	0	0	1	0	0	0	0	0	0	
	GREEN (62)	0	0	0	0	0	0	1	1	1	1	1	0	0	0	0	0	0	0
	GREEN (63)	0	0	0	0	0	0	1	1	1	1	1	1	0	0	0	0	0	0
BLUE	BLUE (0)	0	0	0	0	0	0	0	0	0	0	0	0	0	0	0	0	0	
	BLUE (1)	0	0	0	0	0	0	0	0	0	0	0	0	0	0	0	0	1	
	BLUE (2)	0	0	0	0	0	0	0	0	0	0	0	0	0	0	0	1	0	
	BLUE (62)	0	0	0	0	0	0	0	0	0	0	0	0	1	1	1	1	1	0
	BLUE (63)	0	0	0	0	0	0	0	0	0	0	0	0	1	1	1	1	1	1

[Note]

1) Definition of gray scale

Color (n) --- n indicates gray scale level.

Higher n means brighter level.

2) Data 1:High, 0: Low

Relation of IC and LCD Module Data Bus

LCD Module	RGB5	RGB4	RGB3	RGB2	RGB1	RGB0	*	*
IC	RGB7	RGB6	RGB5	RGB4	RGB3	RGB2	RGB1	RGB0

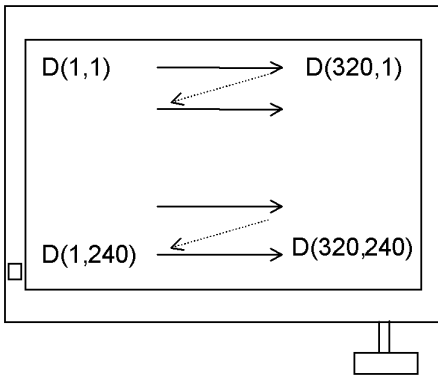
\*Connected to "L" in the LCD Module

### 7.6. Inverted Scan Capability

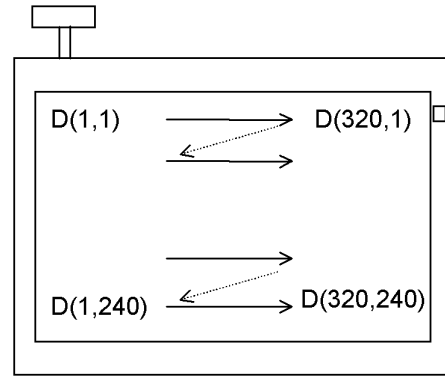
This module has the capability of inverting scan direction by signaling from controller.  
Note that scan direction cannot be changed during operation.

The following drawing shows the relationship between the viewing direction and the scan direction.

Normal scan(U/D:H R/L:L)



Reverse scan(U/D:L R/L:H)



## 7.7. Lighting Specifications

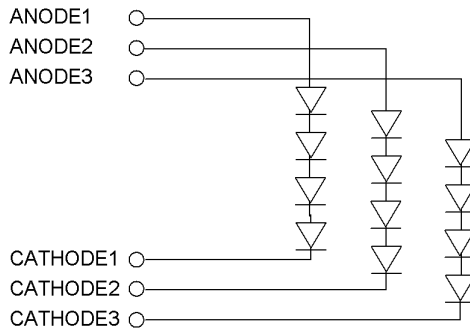
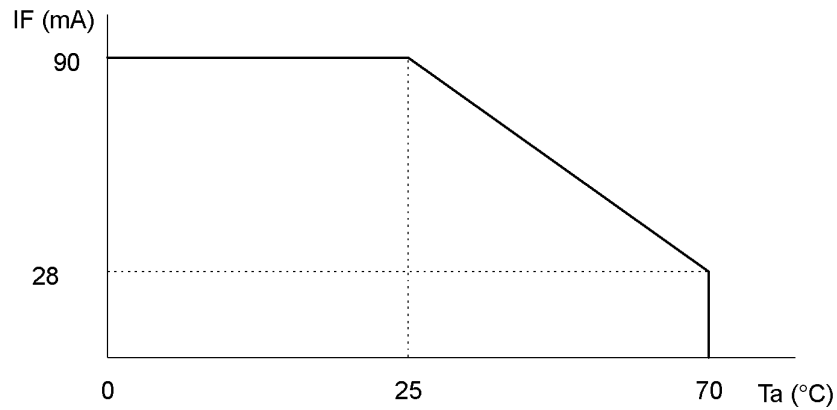
### 7.7.1. Absolute Maximum Ratings

Ta=25°C

Parameter	Symbol	Conditions	Min.	Typ.	Max.	Units
Foward Current	I <sub>F</sub>	Note 1, 2	-	-	90	mA
Reverse Voltage	V <sub>R</sub>	Note 1	-	-	20	V
LED Power Dissipation	P <sub>D</sub>	Note 1	-	-	1.6	W

Note 1 : This value is for each 1 line.

Note 2 : Refer to the foward current derating curve.



### 7.7.2. Operating Characteristics

Ta=25°C

Parameter	Symbol	Conditions	Min.	Typ.	Max.	Units
Foward Voltage	V <sub>F</sub>	I <sub>F</sub> =60mA / 1 line	-	(13.2)	-	V



## 7.8. Touch Panel Specifications

### 7.8.1. Touch Panel Characteristics

Ta=-20~70°C

Parameter		Min.	Typ.	Max.	Units	Conditions
Max Voltage		-	-	5	V	
Resistor between Terminals	XL-XR	350	-	950	Ω	
	YU-YD	200		550	Ω	
Line Linearity		-	-	±1.5	%	Initial Value
Insulation Resistance		10	-	-	MΩ	At DC25V
Operation Force		10	-	100	g	Initial Value
Operation life		> 1,000,000 times				Tapping durability
		> 100,000 times				Pen sliding durability

## 8. Optical Specifications

### 8.1. Optical Characteristics

Item	Symbol	Conditions			Standard Value			Unit	Method of Measure	Remark
		$\theta$	$\phi$	C	Min.	Typ.	Max.			
Brightness	B	0°	0°	/	280	400	-	cd/m <sup>2</sup>	Note1	
Contrast	CR	Best Viewing			210	350	-	-		
Color Coordinates	Red	Rx	0°	0°	/	-	0.6209	-		-
		Ry	0°	0°	/	-	0.3652	-		-
	Green	Gx	0°	0°	/	-	0.3319	-		-
		Gy	0°	0°	/	-	0.5657	-		-
	Blue	Bx	0°	0°	/	-	0.1401	-		-
		By	0°	0°	/	-	0.0863	-		-
	White	Wx	0°	0°	/	-	0.2919	-		-
Wy		0°	0°	/	-	0.3040	-	-		
Brightness Uniformity	-	0°	0°	/	70	75	-	%		
Vertical Viewing Angle	Up	$\theta_U$	-	0°	$\geq 5$	-	70	-		Degree
	Down	$\theta_D$	-	0°	$\geq 5$	-	70	-		Degree
Horizontal Viewing Angle	Left	$\phi_L$	0°	-	$\geq 5$	-	70	-		Degree
	Right	$\phi_R$	0°	-	$\geq 5$	-	70	-	Degree	
Response Time	Rise	$\tau_r$	0°	0°	/	-	21	-	ms	
	Decay	$\tau_d$	0°	0°	/	-	10	-	ms	

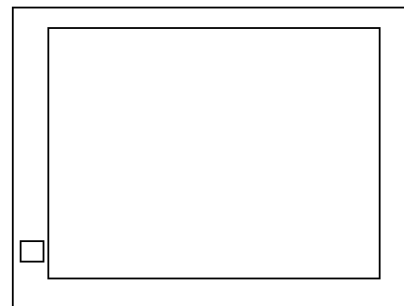
Note1: Under the condition of maximum brightness.

◆ Conditions for Measuring

- ◇ Environment: Dark room with no light or close to no light.
- ◇ Temperature: 25±5°C
- ◇ Humidity: 40~70%RH
- ◇ Driving voltage is set for optimal contrast to measure center of display.
- ◇ LED Backlight driving condition: IF=60mA/1Line

◆ Optimal viewing angle

(The angle of Least Color Inversion)

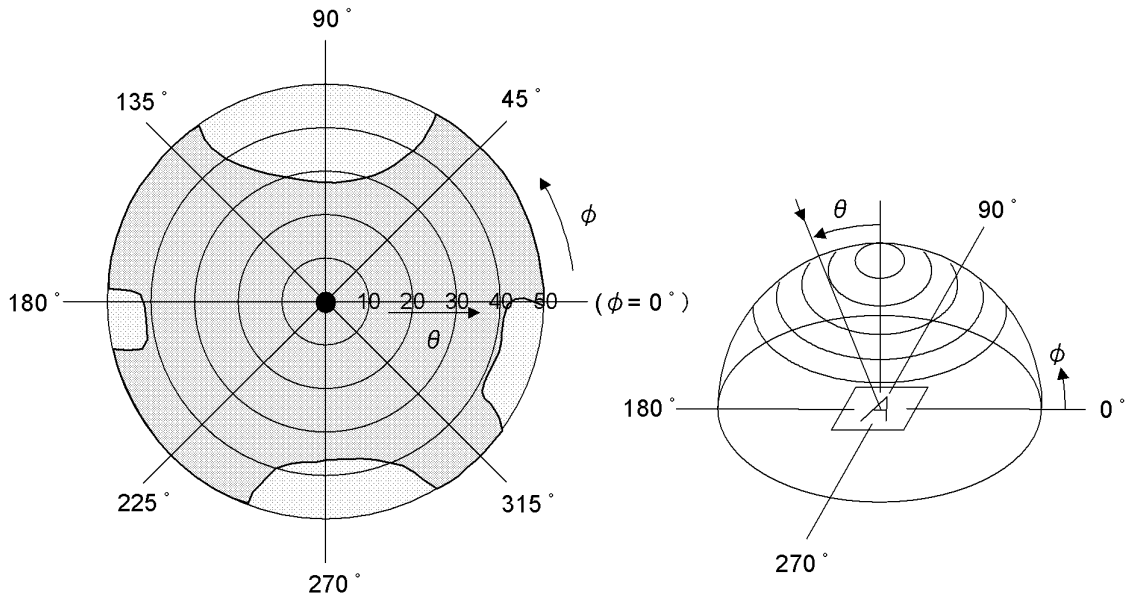


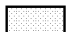

↑  
6 O'clock

## 8.2. Definition of Viewing Angle and Optimum Viewing Area

\*Point ● shows the point where contrast ratio is measured. :  $\theta = 0^\circ$ ,  $\phi = -^\circ$

\*Driving condition:  $F_r = 60\text{Hz}$



\*Area  shows typ.  $CR \geq 5$   
 \*Area  shows typ.  $CR \geq 20$

◆ Method of Brightness Measurement (Fig.1)

(1) Measuring Device

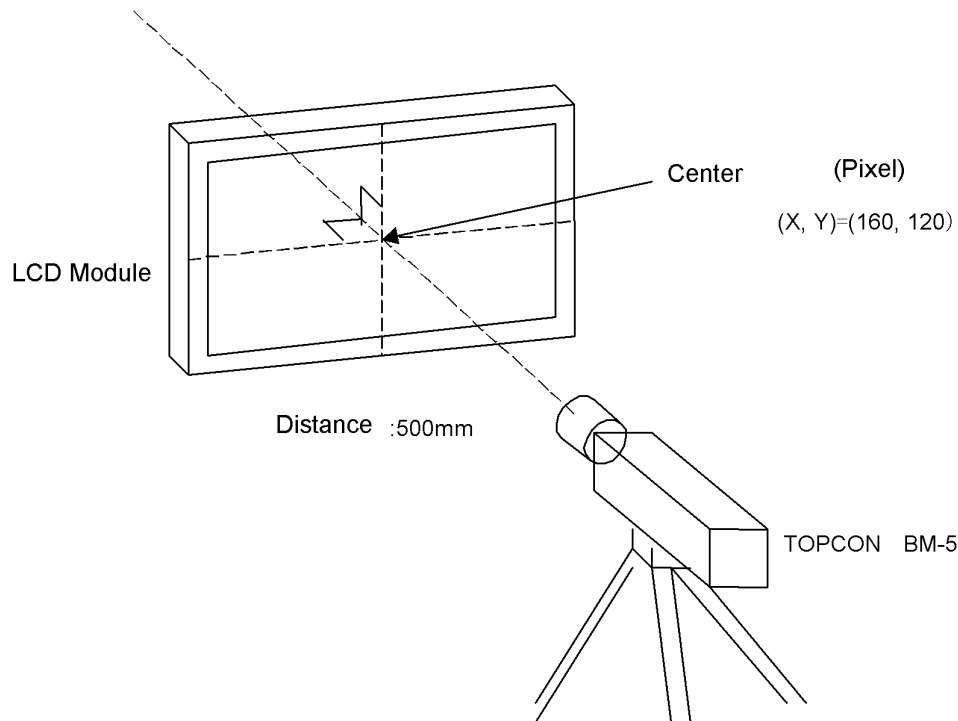
TOPCON: BM-5

(2) Measuring Point

Center of Display:  $\theta=0^\circ$ ,  $\phi=0^\circ$

On condition  $\theta$ : A vertical angle from measuring direction to perpendicular.

$\phi$ : A horizontal angle from measuring direction to perpendicular.



**Fig. 1**

(3) Method of Measuring

Apply signal voltage (displayed in white) to maximize brightness and measure brightness B ( $\text{cd}/\text{m}^2$ ).

The distance between BM-5's front lens to surface panel is 500mm.

Measured after backlight has been lit for more than 30 minutes.

◆ Method of Contrast Measurement (Fig.1)

(1) Measuring Device

TOPCON: BM-5, Measuring Field:  $1^\circ$

(2) Measuring Point

Center of display: same as Method of Brightness Measurement

(3) Method of Measuring

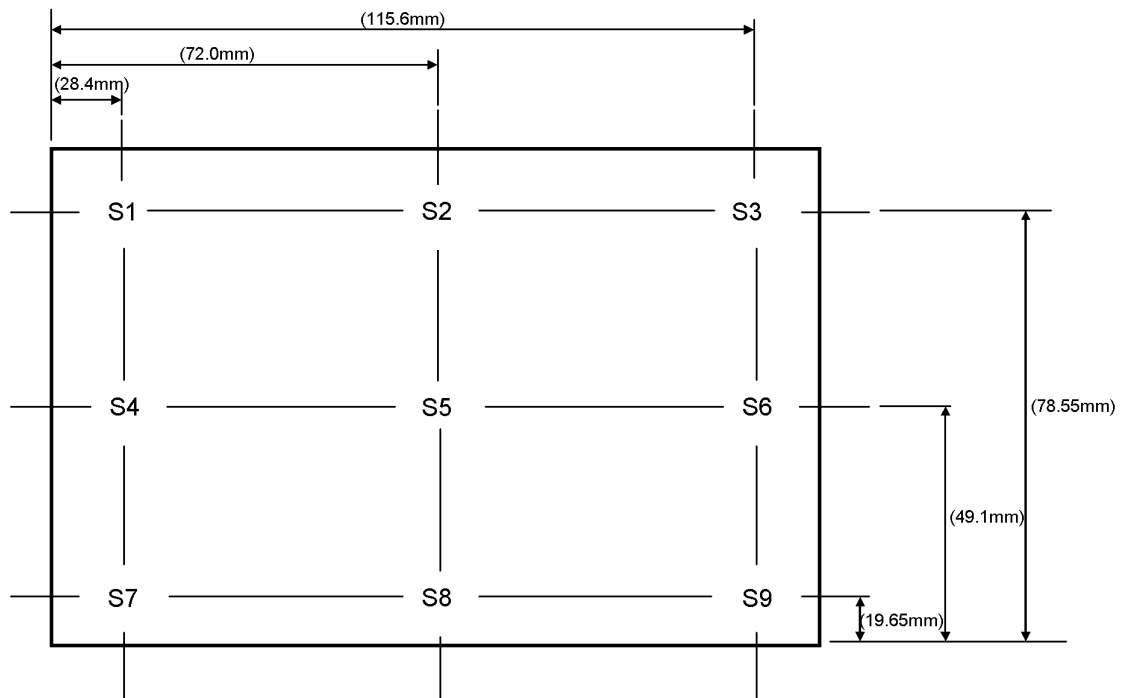
• Set LCD module to  $\theta=0^\circ$ ,  $\phi=0^\circ$ .

• Change signal voltage to measure maximum brightness Y1 and minimum brightness Y2.

• Contrast is derived from  $CR=Y1/Y2$ .

◆ Definition of Brightness Uniformity (Fig.2)

Definition is calculated from the four points (S1-S9) on the diagram below.



$$\text{Standard Value of Brightness Uniformity [\%]} = \frac{\text{Minimum Value of S1-S9}}{\text{Maximum Value of S1-S9}} \times 100$$

**Fig. 2**

◆ Method of Viewing Angle Measurement (Fig.3)

(1) Measuring Device

ELDIM: EZ CONTRAST

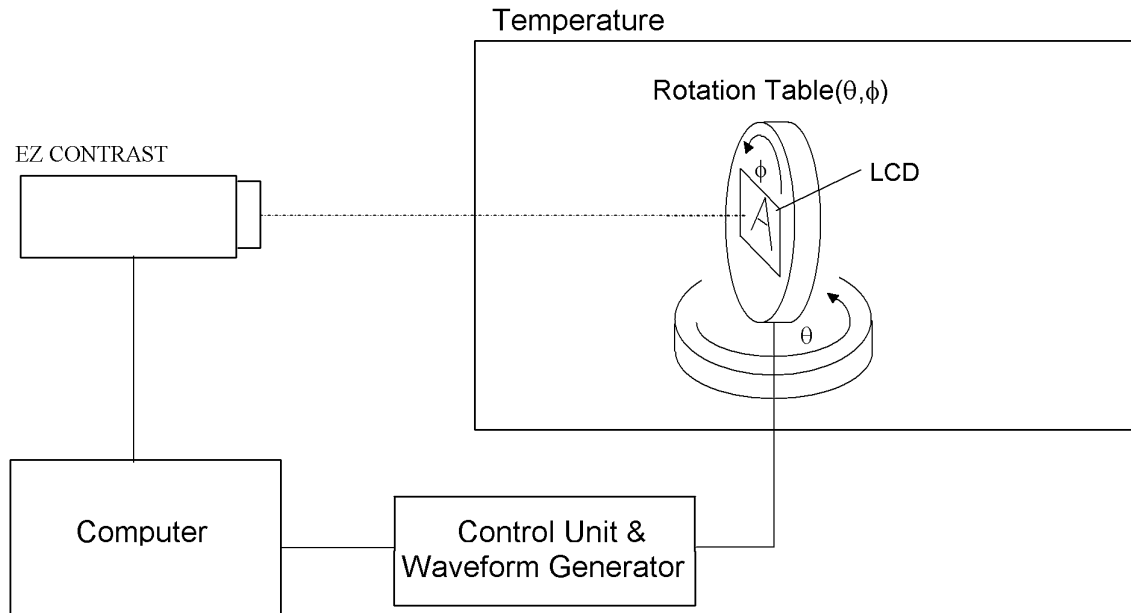
(2) Measuring Point

Center of display: Same as Method of Brightness Measurement

(3) Angle of Measuring

$\theta$ : An angle vertical to perpendicular line from the viewing direction.

$\phi$ : An angle horizontal to perpendicular from the viewing direction.



**Fig. 3**

(4) Method of Measuring

Set the module on the rotation table and measure a vertical axis direction in the state that fixed  $\phi = 0$  degrees horizontal axis direction to  $\theta = 90$  degrees.

(Viewing angle is measured automatically by EZ CONTRAST)

◆ Measuring Response Time (Fig.4)

(1) Measuring Device

TOPCON BM-5, Measuring Field: 1°

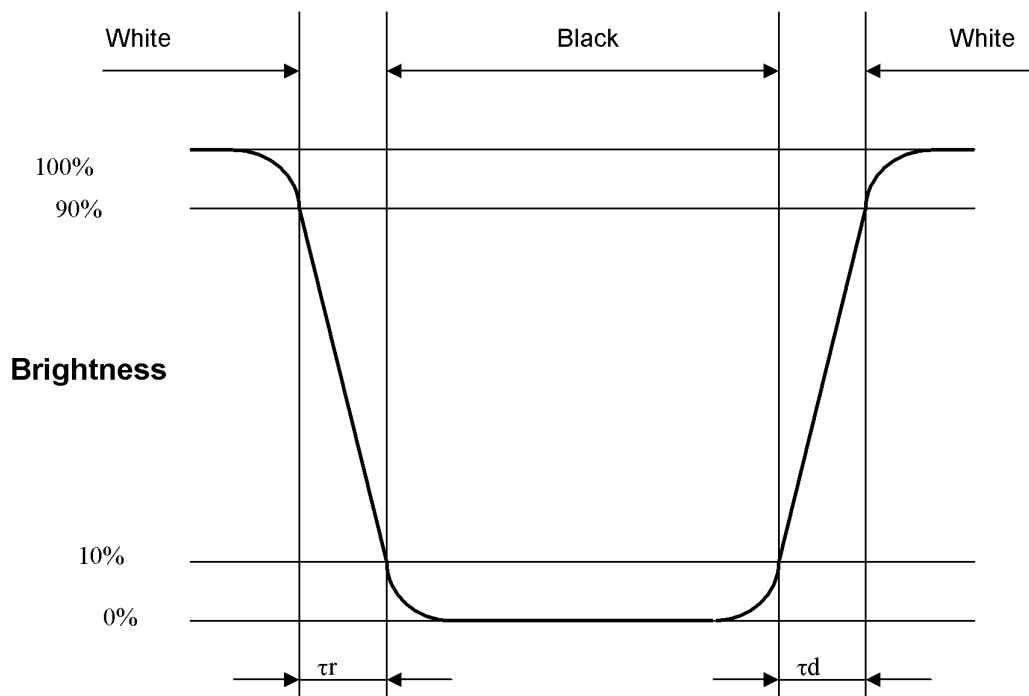
Tektronix Digital Oscilloscope

(2) Measuring Point

Center of display, same as Method of Brightness Measurement

(3) Method of Measuring

- Set LCD panel to  $\theta=0^\circ$ , and  $\phi=0^\circ$ .
- Input white→black→white to display by switching signal voltage.
- If the luminance is 0% and 100% immediately before the change of signal voltage, then  $\tau_r$  is optical response time during the change from 90% to 10% immediately after rise of signal voltage, and  $\tau_d$  is optical response time during the change from 10% to 90% immediately after decay of signal voltage.



**Fig. 4**

## 9. Test

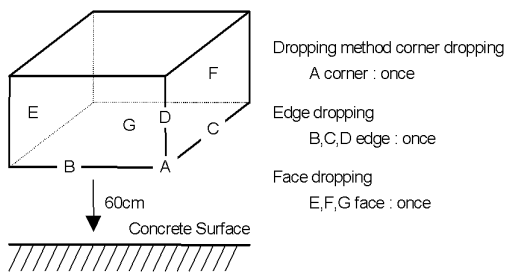
No abnormal function and appearance are found after the following tests.

Conditions: Unless otherwise specified, tests will be conducted under the following condition.

Temperature:  $20 \pm 5^\circ\text{C}$

Humidity :  $65 \pm 5\% \text{RH}$

tests will not be conducted under functioning state.

No.	Parameter	Conditions	Notes
1	High Temperature Operating	$70^\circ\text{C} \pm 2^\circ\text{C}$ , 96hrs (operation state)	
2	Low Temperature Operating	$-20^\circ\text{C} \pm 2^\circ\text{C}$ , 96hrs (operation state)	1
3	High Temperature Storage	$80^\circ\text{C} \pm 2^\circ\text{C}$ , 96hrs	2
4	Low Temperature Storage	$-30^\circ\text{C} \pm 2^\circ\text{C}$ , 96hrs	1,2
5	Damp Proof Test	$40^\circ\text{C} \pm 2^\circ\text{C}$ , 90%RH, 96hrs	1,2
6	Vibration Test	Total fixed amplitude : 1.5mm Vibration Frequency : 10~55Hz One cycle 60 seconds to 3 directions of X, Y, Z each 15 minutes	3
7	Shock Test	To be measured after dropping from 60cm high the concrete surface in packing state. 	

Note 1 :No dew condensation to be observed.

Note 2 :The function test shall be conducted after 4 hours storage at the normal Temperature and humidity after removed from the test chamber.

Note 3 :Vibration test will be conducted to the product itself without putting it in a container.



## 10. Appearance Standards

### 10.1. Inspection conditions

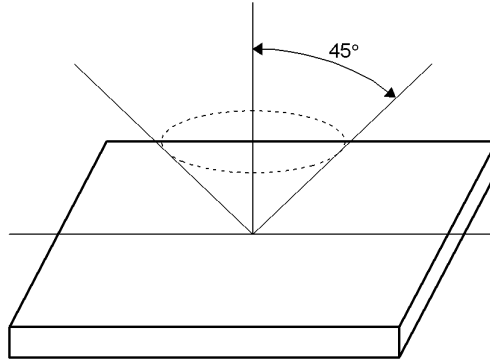
The LCD shall be inspected under the white fluorescent light.

Appearance Inspection: Illuminans > 500 [lx]

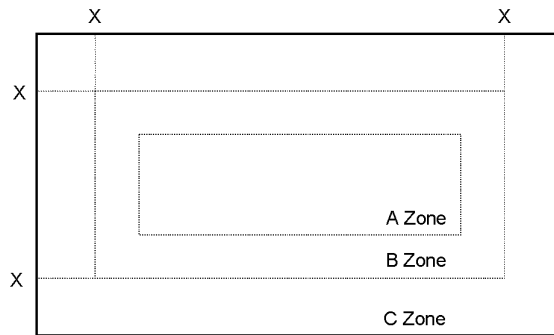
Operating Inspection: Illuminance < 250 [lx]

The distance between the eyes and the sample shall be more than 30cm.

All directions for inspecting the sample should be within 45° against perpendicular line.



### 10.2. Definition of applicable Zones



X : Metal Holder Opening

A Zone: Active display area

B Zone = (Viewing Area) – (Active Area)

C Zone: Rest parts

10.3.Standards (Only the display part)

No.	Parameter	Criteria																									
1	Polarizer Scratches	<table border="1"> <thead> <tr> <th colspan="2">Zone</th> <th colspan="3">Acceptable Number</th> </tr> <tr> <th>X(mm)</th> <th>Y(mm)</th> <th>A</th> <th>B</th> <th>C</th> </tr> </thead> <tbody> <tr> <td><math>L \leq 15</math></td> <td><math>0.01 &lt; W \leq 0.05</math></td> <td colspan="2">4</td> <td>*</td> </tr> <tr> <td><math>L &gt; 15</math></td> <td><math>W &gt; 0.01</math></td> <td colspan="2">0</td> <td>*</td> </tr> <tr> <td>-</td> <td><math>W &gt; 0.05</math></td> <td colspan="2">0</td> <td>*</td> </tr> </tbody> </table> <p>X : Length, Y : Width * : Disregard</p>	Zone		Acceptable Number			X(mm)	Y(mm)	A	B	C	$L \leq 15$	$0.01 < W \leq 0.05$	4		*	$L > 15$	$W > 0.01$	0		*	-	$W > 0.05$	0		*
Zone		Acceptable Number																									
X(mm)	Y(mm)	A	B	C																							
$L \leq 15$	$0.01 < W \leq 0.05$	4		*																							
$L > 15$	$W > 0.01$	0		*																							
-	$W > 0.05$	0		*																							
2	DENT	<table border="1"> <thead> <tr> <th>Zone</th> <th colspan="3">Acceptable Number</th> </tr> <tr> <th>Dimension (mm)</th> <th>A</th> <th>B</th> <th>C</th> </tr> </thead> <tbody> <tr> <td><math>0.30 &lt; D \leq 0.50</math></td> <td colspan="2">4</td> <td>*</td> </tr> <tr> <td><math>0.50 &lt; D</math></td> <td colspan="2">0</td> <td>*</td> </tr> </tbody> </table> <p>D : Average Diameter = (long+short)/2 * : Disregard</p>	Zone	Acceptable Number			Dimension (mm)	A	B	C	$0.30 < D \leq 0.50$	4		*	$0.50 < D$	0		*									
Zone	Acceptable Number																										
Dimension (mm)	A	B	C																								
$0.30 < D \leq 0.50$	4		*																								
$0.50 < D$	0		*																								
3	BLACK SPOT WHITE SPOT BUBBLE	<table border="1"> <thead> <tr> <th>Zone</th> <th colspan="3">Acceptable Number</th> </tr> <tr> <th>Dimension (mm)</th> <th>A</th> <th>B</th> <th>C</th> </tr> </thead> <tbody> <tr> <td><math>0.30 &lt; D \leq 0.50</math></td> <td colspan="2">5</td> <td>*</td> </tr> <tr> <td><math>0.50 &lt; D</math></td> <td colspan="2">0</td> <td>*</td> </tr> </tbody> </table>	Zone	Acceptable Number			Dimension (mm)	A	B	C	$0.30 < D \leq 0.50$	5		*	$0.50 < D$	0		*									
Zone	Acceptable Number																										
Dimension (mm)	A	B	C																								
$0.30 < D \leq 0.50$	5		*																								
$0.50 < D$	0		*																								
4	LINT	<table border="1"> <thead> <tr> <th colspan="2">Zone</th> <th colspan="3">Acceptable Number</th> </tr> <tr> <th>X(mm)</th> <th>Y(mm)</th> <th>A</th> <th>B</th> <th>C</th> </tr> </thead> <tbody> <tr> <td><math>L \leq 3.0</math></td> <td><math>W \leq 0.15</math></td> <td colspan="2">4</td> <td>*</td> </tr> <tr> <td><math>L &gt; 3.0</math></td> <td><math>W \leq 0.15</math></td> <td colspan="2">0</td> <td>*</td> </tr> <tr> <td>-</td> <td><math>W &gt; 0.15</math></td> <td colspan="2">According to BLACK SPOT</td> <td>*</td> </tr> </tbody> </table> <p>X : Length, Y : Width * : Disregard</p>	Zone		Acceptable Number			X(mm)	Y(mm)	A	B	C	$L \leq 3.0$	$W \leq 0.15$	4		*	$L > 3.0$	$W \leq 0.15$	0		*	-	$W > 0.15$	According to BLACK SPOT		*
Zone		Acceptable Number																									
X(mm)	Y(mm)	A	B	C																							
$L \leq 3.0$	$W \leq 0.15$	4		*																							
$L > 3.0$	$W \leq 0.15$	0		*																							
-	$W > 0.15$	According to BLACK SPOT		*																							

No.	Parameter	Criteria																							
5	(a) Bright Dot (b) Dark Dot	<table border="1"> <thead> <tr> <th colspan="2" rowspan="2">Zone Dimension (mm)</th> <th colspan="3">Acceptable Number</th> </tr> <tr> <th>A</th> <th>B</th> <th>C</th> </tr> </thead> <tbody> <tr> <td>Bright Dot</td> <td>Note1</td> <td colspan="2">4</td> <td>*</td> </tr> <tr> <td>Dark Dot</td> <td>Note2</td> <td colspan="2">5</td> <td>*</td> </tr> <tr> <td colspan="2">TOTAL</td> <td colspan="3">5</td> </tr> </tbody> </table>	Zone Dimension (mm)		Acceptable Number			A	B	C	Bright Dot	Note1	4		*	Dark Dot	Note2	5		*	TOTAL		5		
	Zone Dimension (mm)				Acceptable Number																				
			A	B	C																				
	Bright Dot	Note1	4		*																				
	Dark Dot	Note2	5		*																				
TOTAL		5																							
(c) TWO Adjacent Dot	<table border="1"> <thead> <tr> <th colspan="2" rowspan="2">Zone Dimension (mm)</th> <th colspan="3">Acceptable Number</th> </tr> <tr> <th>A</th> <th>B</th> <th>C</th> </tr> </thead> <tbody> <tr> <td>Bright Dot</td> <td>Note1,3</td> <td colspan="2">2 PAIRS</td> <td>*</td> </tr> <tr> <td>Dark Dot</td> <td>Note2,3</td> <td colspan="2">3 PAIRS</td> <td>*</td> </tr> </tbody> </table>	Zone Dimension (mm)		Acceptable Number			A	B	C	Bright Dot	Note1,3	2 PAIRS		*	Dark Dot	Note2,3	3 PAIRS		*						
Zone Dimension (mm)				Acceptable Number																					
		A	B	C																					
Bright Dot	Note1,3	2 PAIRS		*																					
Dark Dot	Note2,3	3 PAIRS		*																					
(d) Three or More Adjacent Dot	NOT ALLOWED																								
(e) Distance	<table border="1"> <thead> <tr> <th colspan="2" rowspan="2">Zone Dimension (mm)</th> <th colspan="3">Acceptable Level</th> </tr> <tr> <th>A</th> <th>B</th> <th>C</th> </tr> </thead> <tbody> <tr> <td>Bright Dot</td> <td></td> <td colspan="2">5 mm <math>\leq</math></td> <td>*</td> </tr> <tr> <td>Dark Dot</td> <td></td> <td colspan="2">5 mm <math>\leq</math></td> <td>*</td> </tr> </tbody> </table>	Zone Dimension (mm)		Acceptable Level			A	B	C	Bright Dot		5 mm $\leq$		*	Dark Dot		5 mm $\leq$		*						
Zone Dimension (mm)				Acceptable Level																					
		A	B	C																					
Bright Dot		5 mm $\leq$		*																					
Dark Dot		5 mm $\leq$		*																					
6	Line Defect	NOT ALLOWED																							

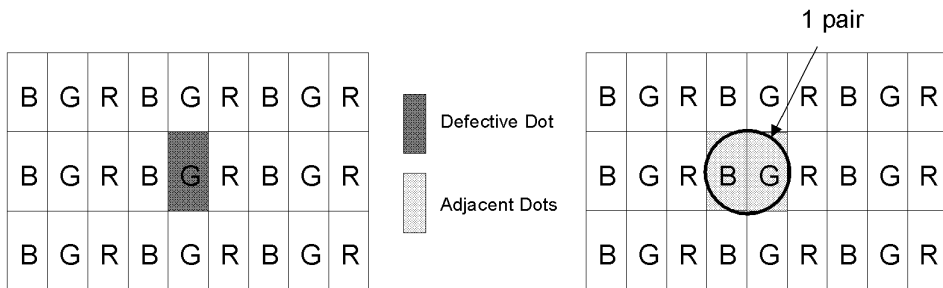
Note 1: Bright Dot is defined as follows:

Visible through 5% transmission ND filter under the condition that black image (color 0) is on the display.

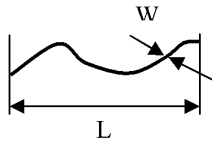
Note 2: Dark Dot is defined as follows:

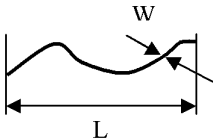
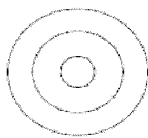

Recognizable darker than around under the condition that each R(63), G(63), B(63) image is on the display.

Note 3: Definition of adjacent



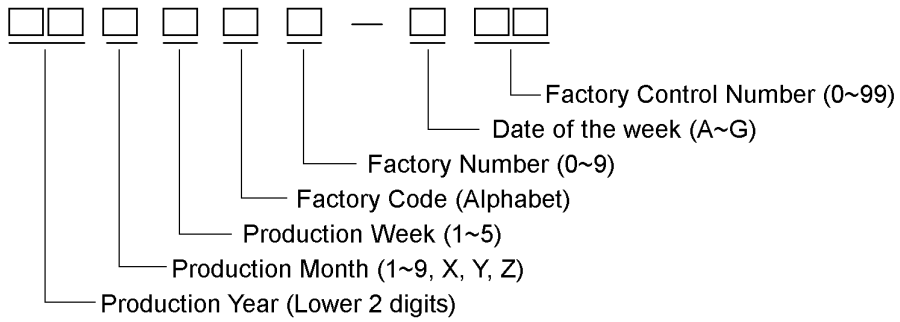
10.4 Standards on Touch panel

No.	Item	Criteria		Note
		Dimension (mm)	Judgment	
1	Dot type foreign material, Dent	$D \leq 0.15$	Disregard	D(mm): average diameter=(Long dia.+ short dia.)/2
		$0.15 < D < 0.25$	Distance from any other foreign object >20mm : Ignore <20mm : are allowed 2pcs	
		$D > 0.25$	Nothing	
		Dimension (mm)	Judgment	
2	Linear material, scratch foreign Linear	$W < 0.025$	Disregard	
		$0.025 < W < 0.035$ $L \leq 2.5$	Distance from any other foreign object >20mm : Ignore <20mm : are allowed 2pcs	
		$0.035 < W < 0.05$ $L \leq 1.5$	Are allowed 2pcs	
		$W > 0.05$ $L < 5$	Nothing	
		Dimension (mm)	Judgment	
3	Glass chipping	<b>Corner</b> 1) $X \leq 3.0$ mm、 $Y \leq 3.0$ mm、 $Z \leq$ Glass thickness : Ignore 2) the chipping on the terminal : Not allowable 3) the chipping on the Circuit : Not allowable <b>Without corner</b> 1) $X < 4.0$ mm、 $Y < 2.0$ mm、 $Z <$ Glass thickness : Ignore 2) the chipping on the terminal : Not allowable 3) the chipping on the Circuit : Not allowable		

4	Scratch	Dimension (mm)	Judgment	
		$W < 0.03, L \leq 10$	Ignore	
		$0.03 < W < 0.05, L \leq 10$	Distance from any other scratch object >20mm : Ignore <20mm : 1pcs is allowed	
		$0.03 < W < 0.05, L > 10$	Nothing	
		$W > 0.05$	Nothing	
5	Fish eye on film, Dent on film and Air bubble	Dimension (mm)	Judgment	D(mm): average diameter=(Long dia.+ short dia.)/2
		$D \leq 0.2$	Disregard	
		$0.2 < D \leq 0.4$	Are allowed 5pcs	
		$0.4 < D \leq 0.5$	Are allowed 2pcs	
		$D > 0.5$	Nothing	
6	Newton's ring	<p>Visual inspection shall be done at a distance of 0.3 m between eyes and a product with an angles of <math>60^\circ \pm 10^\circ</math> to the surface of the product under a ceiling fluorescent light (40W, natural color).</p> <p><b>1. Regular</b>  A) When Newton ring dimension is more than 1/3 of sample dimension; it is regarded as a defect.  B) When Newton ring dimension that is less than 1/3 of sample dimension and is not affect font effect and line distortion under a ceiling fluorescent light, it is acceptable.</p> <p><b>2. Irregular</b>  A) Newton ring dimension is more than 1/2 without lighting; it is regarded as a defect.  B) As long as Newton ring affects font effect and line distortion under a ceiling fluorescent light, it is regarded as a defect.  C) When Newton ring dimension is less than 1/2 of sample dimension and is not affect font effect and line distortion under a ceiling fluorescent light, it is acceptable.</p>	 <p>Regular</p>  <p>Irregular</p>	
7	Miss matching of film and plastic board.	All round of film is inside of plastic board.		

## 11. Code System of Production Lot

The production lot of module is specified as follows.



## 12. Type Number

The type number of module is specified as follows.

355265AC

## 13. Applying Precautions

Please contact us when questions and/or new problems not specified in this Specifications arise.

## 14. Precautions Relating Product Handling

The Following precautions will guide you in handling our product correctly.

- 1) Liquid crystal display devices
  1. The liquid crystal display panel used in the liquid crystal display module is made of plate glass. Avoid any strong mechanical shock. Should the glass break handle it with care. The polarizer adhering to the surface of the LCD is made of a soft material. Guard against scratching it.



### **2) Care of the liquid crystal display module against static electricity discharge.**

1. **When working with the module, be sure to ground your body and any electrical equipment you may be using. We strongly recommend the use of anti static mats (made of rubber), to protect worktables against the hazards of electrical shock.**
2. **Avoid the use of work clothing made of synthetic fibers. We recommend cotton clothing or other conductivity-treated fibers.**
3. **Slowly and carefully remove the protective film from the LCD module, since this operation can generate static electricity.**

### 3) When the LCD module must be stored for long periods of time:

1. Protect the modules from high temperature and humidity.  
Conditions:           Temperature: 0°C~40°C  
                                  Humidity : Less than 60%RH  
                                  No dew condensation to be observed.
  2. Keep the modules out of direct sunlight or direct exposure to ultraviolet rays.
  3. Protect the modules from excessive external forces.
- 4) Use the module with a power supply that is equipped with an overcurrent protector circuit, since the module is not provided with this protective feature.
  - 5) Do not ingest the LCD fluid itself should it leak out of a damaged LCD module. Should hands or clothing come in contact with LCD fluid, wash immediately with soap.
  - 6) Conductivity is not guaranteed for models that use metal holders where solder connections between the metal holder and the PCB are not used. Please contact us to discuss appropriate ways to assure conductivity.
  - 7) For models which use CFL:
    1. High voltage of 1000V or greater is applied to the CFL cable connector area.  
Care should be taken not to touch connection areas to avoid burns.
    2. Protect CFL cables from rubbing against the unit and thus causing the wire jacket to become worn.
    3. The use of CFLs for extended periods of time at low temperatures will significantly shorten their service life.
    4. After storing the product (or LCD) under low temperature and/or in dark atmosphere for a long period of time, CCFL may take longer time to reach its specified brightness.
  - 8) For models which use touch panels:
    1. Do not stack up modules since they can be damaged by components on neighboring modules.
    2. Do not place heavy objects on top of the product. This could cause glass breakage.

9) For models which use COG, TAB, or COF:

1. The mechanical strength of the product is low since the IC chip faces out unprotected from the rear. Be sure to protect the rear of the IC chip from external forces.
2. Given the fact that the rear of the IC chip is left exposed, in order to protect the unit from electrical damage, avoid installation configurations in which the rear of the IC chip runs the risk of making any electrical contact.

10) Models which use flexible cable, heat seal, or TAB:

1. In order to maintain reliability, do not touch or hold by the connector area.
2. Avoid any bending, pulling, or other excessive force, which can result in broken connections.

11) In case of buffer material such as cushion / gasket is assembled into LCD module, it may have an adverse effect on connecting parts (LCD panel-TCP / HEAT SEAL / FPC / etc., PCB-TCP / HEAT SEAL / FPC etc., TCP-HEAT SEAL, TCP-FPC, HEAT SEAL-FPC, etc.) depending on its materials. Please check and evaluate these materials carefully before use.

12) In case of acrylic plate is attached to front side of LCD panel, cloudiness (very small cracks) can occur on acrylic plate, being influenced by some components generated from polarizer film. Please check and evaluate those acrylic materials carefully before use.

13) Flickering due to optical interference may occur by combination of a) LCD driving frame frequency decided by either internal oscillator in driver IC or external clock input by the customer and b) lighting frequency of either backlight or other light sources. Please evaluate enough at the environment of actual use, and decide the driving condition that does not cause flickering.

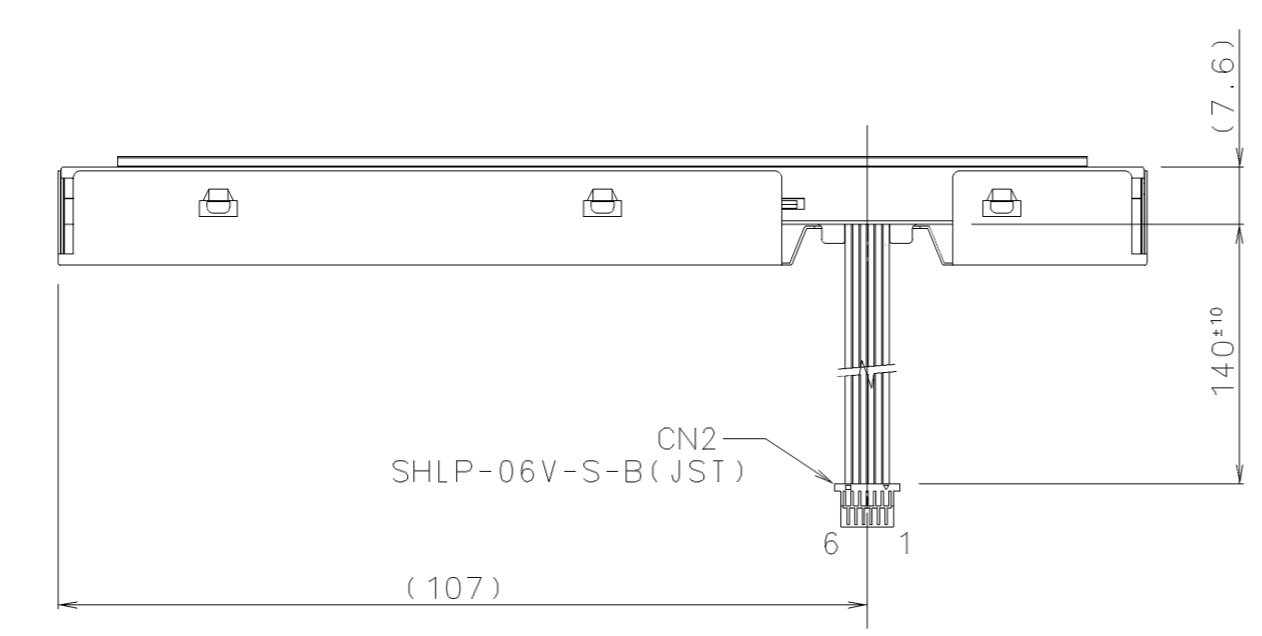
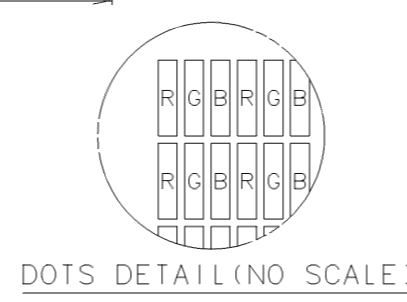
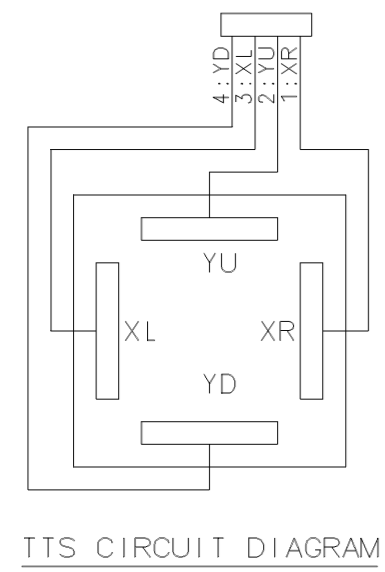
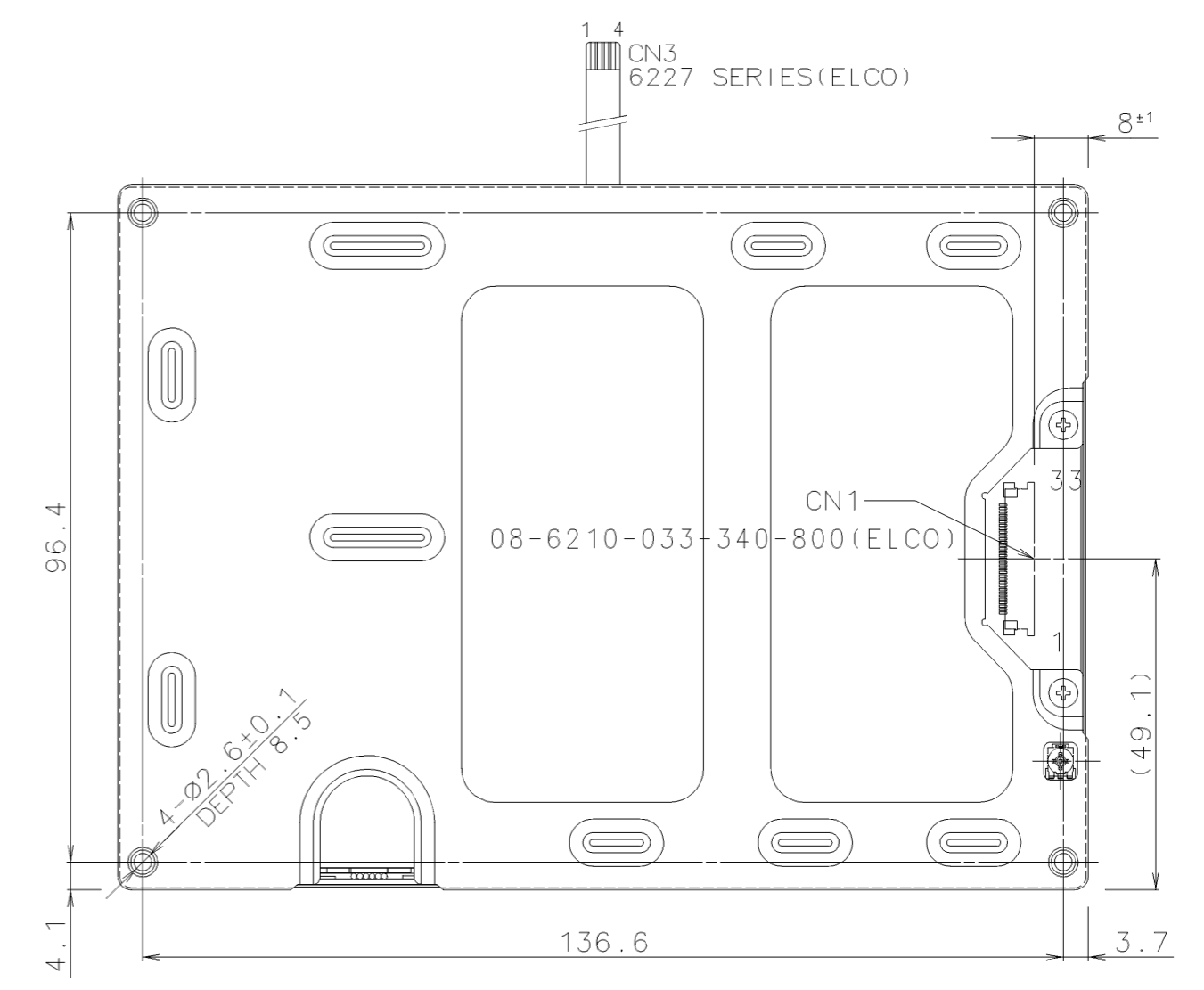
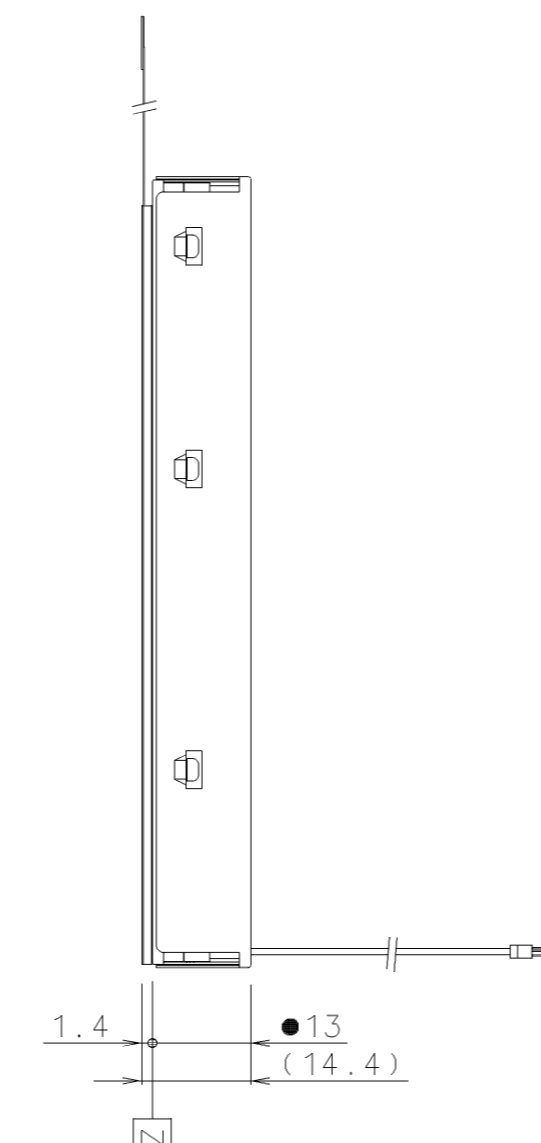
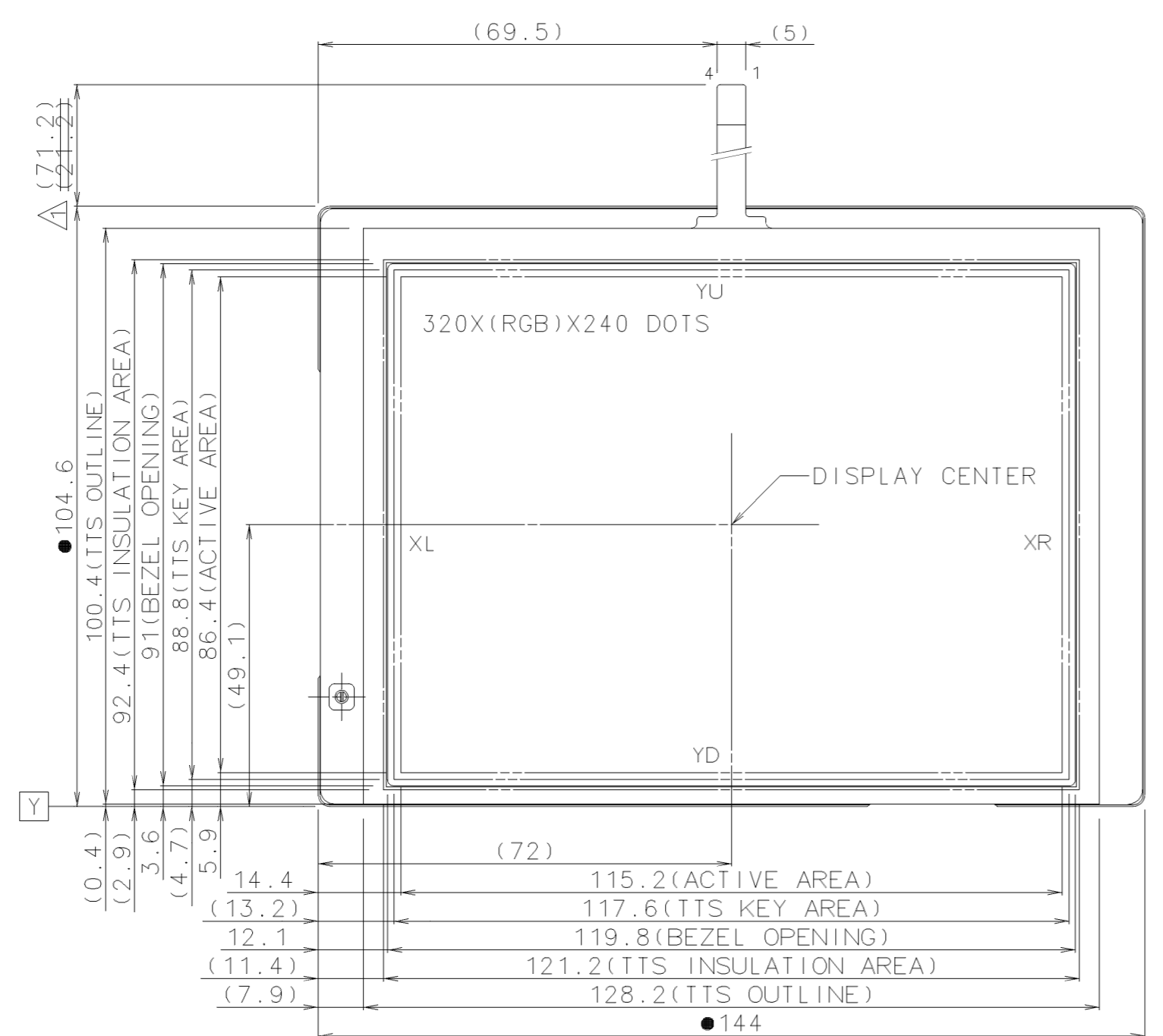
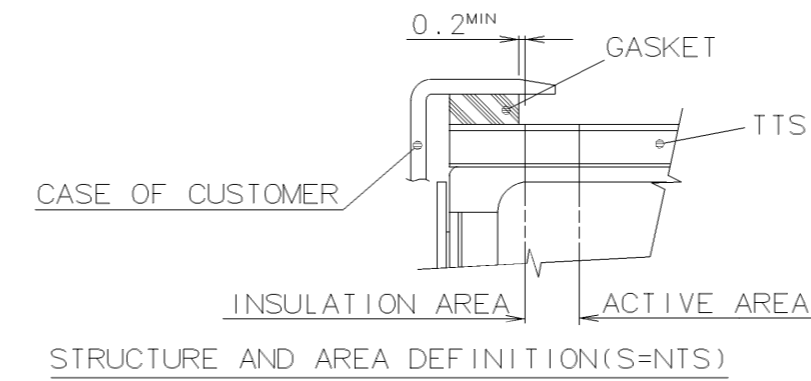
14) Please be advised that do not apply DC voltage to the LCD.  
If DC voltage is applied to the LCD, then it may cause poor display quality.



## 15. Warranty

This product has been manufactured to your company's specifications as a part for use in your company's general electronic products. It is guaranteed to perform according to delivery specifications. For any other use apart from general electronic equipment, we cannot take responsibility if the product is used in medical devices, nuclear power control equipment, aerospace equipment, fire and security systems, or any other applications in which there is a direct risk to human life and where extremely high levels of reliability are required. If the product is to be used in any of the above applications, we will need to enter into a separate product liability agreement.

1. We cannot accept responsibility for any defect, which may arise from additional manufacturing of the product (including disassembly and reassembly), after product delivery.
2. We cannot accept responsibility for any defect, which may arise after the application of strong external force to the product.
3. We cannot accept responsibility for any defect, which may arise due to the application of static electricity after the product has passed your company's acceptance inspection procedures.
4. When the product is in CFL models, CFL service life and brightness will vary according to the performance of the inverter used, leaks, etc. We cannot accept responsibility for product performance, reliability, or defect, which may arise.
5. We cannot accept responsibility for intellectual property of a third party, which may arise through the application of our product to your assembly with exception to those issues relating directly to the structure or method of manufacturing of our product.
6. Optrex will not be held responsible for any quality issue(s) after two years and beyond from its production date indicated on the lot number (please refer to "Code System of Production Lot" indicated earlier in this specification).

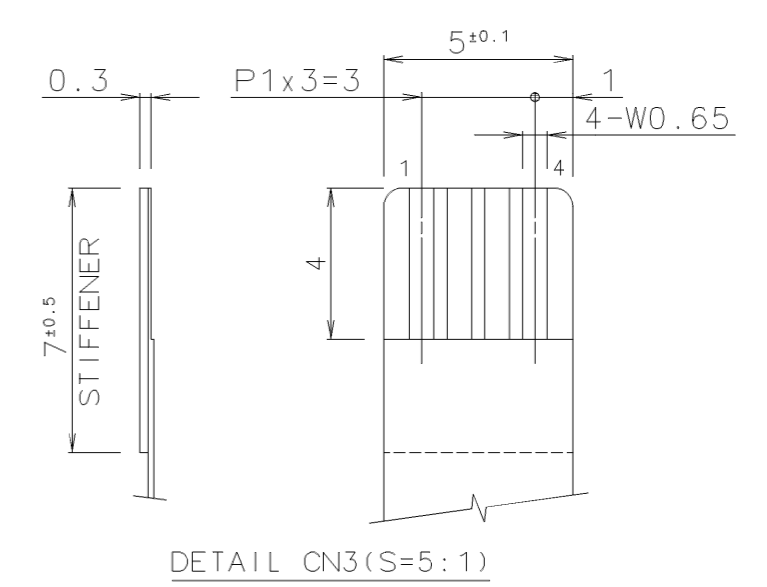


PIN ASSIGNMENT

CN1		CN2	
No.	SYMBOL	No.	SYMBOL
1	GND	17	G4
2	CK	18	G5
3	HSYC	19	GND
4	VSYC	20	B0
5	GND	21	B1
6	R0	22	B2
7	R1	23	B3
8	R2	24	B4
9	R3	25	B5
10	R4	26	GND
11	R5	27	ENAB
12	GND	28	VCC(3.3V)
13	G0	29	VCC(3.3V)
14	G1	30	R/L
15	G2	31	U/D
16	G3	32	NC
		33	GND

No.	SYMBOL	CABLE COLOR
1	Anode1	BLACK
2	Anode2	RED
3	Anode3	WHITE
4	Cathode1	BLACK
5	Cathode2	RED
6	Cathode3	WHITE

No.	SYMBOL
1	XR
2	YU
3	XL
4	YD



NOTES  
 1. THE DIMENSIONS WITH THE MARK (●) ARE CONTROLLED AS A PARTICULAR CHARACTERISTIC.  
 2. TOLERANCE WITHOUT INDICATION: ±0.5

TOLERANCE			
MEASURE	A	B	C
L≤16	±0.1	±0.3	±1
16<L≤63	±0.2	±0.5	±1.5
63<L≤250	±0.3	±0.8	±2
250<L≤500	±0.5	±1.2	±3
500<L	±0.8	±2	±4
ANGLE	±1°	±5°	±10°

DATE 2008/08/09		THIRD ANGLE PROJECTION		FINISH:	
APPROVED Noboru Wada		SCALE UNIT 1:1 mm		OPTREX CORPORATION	
CHECKED Yasuo Yamaguchi		DATE JUN.10'08		TITLE DIMENSIONAL OUTLINE	
DRAWN Satoshi Sano		DSGN S. Sano		DWG NO(CODE) T-55265AC base	
		DWG SIZE A2		DWG REV A	

Our company network supports you worldwide with offices in Germany, Austria, Switzerland, the UK and the USA. For more information please contact:

## Headquarters

Germany



**FORTEC Elektronik AG**

Lechwiesenstr. 9  
86899 Landsberg am Lech

Phone: +49 8191 91172-0  
E-Mail: [sales@forteca.de](mailto:sales@forteca.de)  
Internet: [www.forteca.de](http://www.forteca.de)

## Fortec Group Members

Austria



**FORTEC Elektronik AG**

**Office Vienna**

Nuschinggasse 12  
1230 Wien

Phone: +43 1 8673492-0  
E-Mail: [office@fortec.at](mailto:office@fortec.at)  
Internet: [www.fortec.at](http://www.fortec.at)

Germany



**Distec GmbH**

Augsburger Str. 2b  
82110 Germering

Phone: +49 89 894363-0  
E-Mail: [info@distec.de](mailto:info@distec.de)  
Internet: [www.distec.de](http://www.distec.de)

Switzerland



**ALTRAC AG**

Bahnhofstraße 3  
5436 Würenlos

Phone: +41 44 7446111  
E-Mail: [info@altrac.ch](mailto:info@altrac.ch)  
Internet: [www.altrac.ch](http://www.altrac.ch)

United Kingdom



**Display Technology Ltd.**

Osprey House, 1 Osprey Court  
Hichingbrooke Business Park  
Huntingdon, Cambridgeshire, PE29 6FN

Phone: +44 1480 411600  
E-Mail: [info@displaytechnology.co.uk](mailto:info@displaytechnology.co.uk)  
Internet: [www.displaytechnology.co.uk](http://www.displaytechnology.co.uk)

USA



**Apollo Display Technologies, Corp.**

87 Raynor Avenue,  
Unit 1 Ronkonkoma,  
NY 11779

Phone: +1 631 5804360  
E-Mail: [info@apolloDisplays.com](mailto:info@apolloDisplays.com)  
Internet: [www.apolloDisplays.com](http://www.apolloDisplays.com)