



OUR GLOBAL  
COMPETENCE  
CENTRES

 APOLLO DISPLAY  
TECHNOLOGIES



 DISTEC



 DISPLAY  
TECHNOLOGY



# Datasheet

## Ortustech

COM( \$H( B( \$I LC

OR-20-0F1

**Specifications for**  
**Blanview TFT-LCD Monitor**  
**(4.0" WVGA 480 x RGB x 800 Portrait)**

Version 4.0

(Please be sure to check the specifications latest version. )

**MODEL : COM40H4N40ULC**

Customer's Approval

Signature:

Name:

Section:

Title:

Date:

# ORTUSTECH

ORTUS TECHNOLOGY CO., LTD.

Approved by

\_\_\_\_\_ *Y. Nakajima*


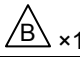
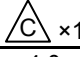

Checked by

\_\_\_\_\_ *R. Kurokuma*

Prepared by

\_\_\_\_\_ *M. Shibamoto*

 Version History

Ver.	Date	Page	Description
0.0	Aug. 24, 2017	-	Tentative issue
1.0 	Oct. 26, 2017	- P26 P28 P30	First issue add Optical Characteristics add Signal condition add number of failures
2.0 	Nov.15,2017	P7	correct Outward Form
3.0 	Dec.1,2017	P16	correct Input Timing Characteristics
4.0 	Sep.14,2018	P2 P3 P31	correct Version History P40→P2 correct Pagnation change add Lightfastness

## Contents



1. Application	.....	4
2. Outline Specifications		
2.1 Features of the Product	.....	5
2.2 Display Method	.....	5
3. Dimensions and Shape		
3.1 Dimensions	.....	7
3.2 Outward Form	.....	8
3.3 Serial No. print (S-print)	.....	9
4. Pin Assignment	.....	10
5. Absolute Maximum Rating	.....	11
6. Recommended Operating Conditions	.....	11
7. Characteristics		
7.1 DC Characteristics		
7.1.1 Display Module	.....	12
7.1.2 MIPI DSI Interface	.....	12
7.1.3 Backlight	.....	13
7.2 AC Characteristics		
7.2.1 HS-RX Specifications	.....	14
7.2.2 LP-TX Specifications	.....	14
7.2.3 RX/TX Specifications	.....	15
7.2.4 Reset input timing	.....	17
7.3 Input Timing Characteristics	.....	17
7.4 Input Signal Timing Chart	.....	18
8. About MIPI Interface		
8.1 Version	.....	19
8.2 DSI protocol	.....	19
8.3 Packet data types	.....	20
8.4 Packet Footer on the long packet	.....	20
9. Sequence		
9.1 Power-ON Sequence	.....	21
9.2 Power-OFF Sequence	.....	24
9.3 Sleep Sequence	.....	24
9.4 Sleep Release Sequence	.....	24
9.5 Power ON/OFF timing	.....	25
10. LED Circuit	.....	26
11. Characteristics		
11.1 Optical Characteristics	.....	27
11.2 Temperature Characteristics	.....	28
12. Criteria of Judgment		
12.1 Defective Display and Screen Quality	.....	29
12.2 Screen and Other Appearance	.....	30
13. Reliability Test	.....	31
14. Packing Specifications	.....	33
15. Handling Instruction		
15.1 Cautions for Handling LCD panels	.....	34
15.2 Precautions for Handling	.....	35
15.3 Precautions for Operation	.....	35
15.4 Storage Condition for Shipping Cartons	.....	36
15.5 Precautions for Peeling off the Protective film	.....	37
15.6 Warranty	.....	37
APPENDIX	.....	38

## 1. Application

This Specification is applicable to 100.8mm (4.0 inch) Blanview TFT-LCD monitor for non-military use.

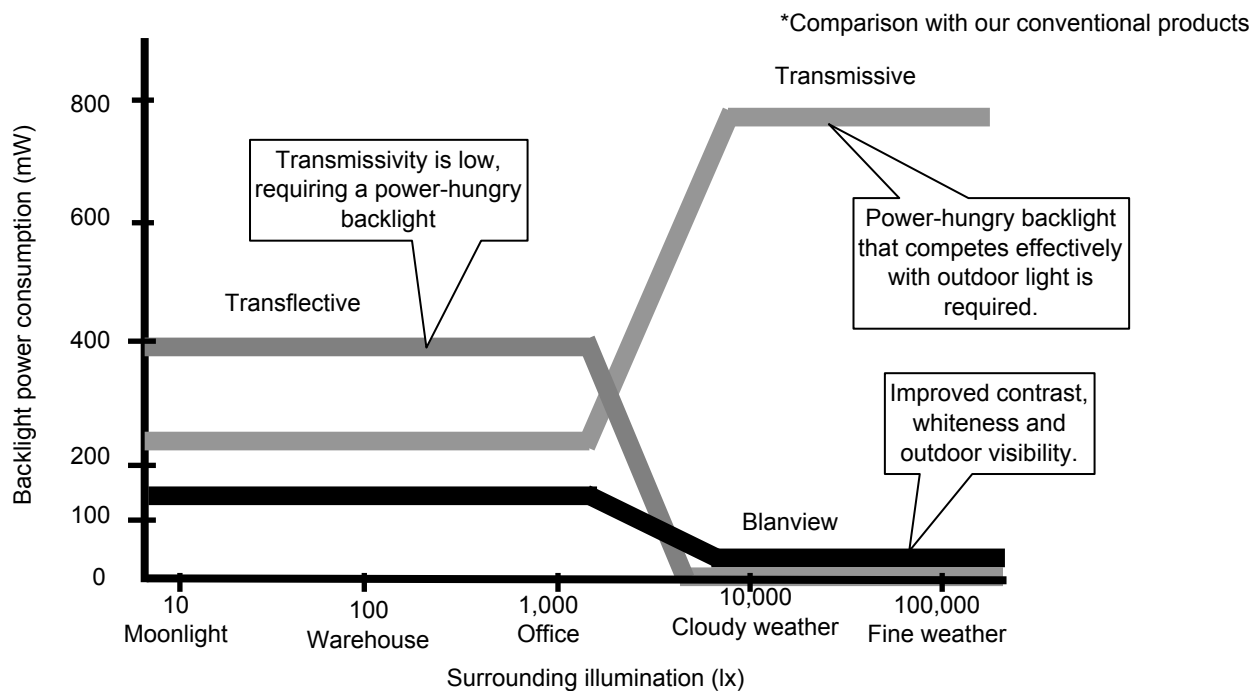
- ◎ ORTUS TECHNOLOGY makes no warranty or assume no liability that use of this Product and/or any information including drawings in this Specification by Purchaser is not infringing any patent or other intellectual property rights owned by third parties, and ORTUS TECHNOLOGY shall not grant to Purchaser any right to use any patent or other intellectual property rights owned by third parties. Since this Specification contains ORTUS TECHNOLOGY's confidential information and copy right, Purchaser shall use them with high degree of care to prevent any unauthorized use, disclosure, duplication, publication or dissemination of ORTUS TECHNOLOGY'S confidential information and copy right.
- ◎ If Purchaser intends to use this Products for an application which requires higher level of reliability and/or safety in functionality and/or accuracy such as transport equipment (aircraft, train, automobile, etc.), disaster-prevention/security equipment or various safety equipment, Purchaser shall consult ORTUS TECHNOLOGY on such use in advance.
- ◎ This Product shall not be used for application which requires extremely higher level of reliability and/or safety such as aerospace equipment, telecommunication equipment for trunk lines, control equipment for nuclear facilities or life-support medical equipment.
- ◎ It must be noted as an mechanical design manner, especial attention in housing design to prevent arcuation/flexureor caused by stress to the LCD module shall be considered.
- ◎ ORTUS TECHNOLOGY assumes no liability for any damage resulting from misuse, abuse, and/or miss-operation of the Product deviating from the operating conditions and precautions described in the Specification.
- ◎ It shall be mutually conferred if nonconforming defect which result from unspecified cause in this specification arises.
- ◎ If any issue arises as to information provided in this Specification or any other information, ORTUS TECHNOLOGY and Purchaser shall discuss them in good faith and seek solution.
- ◎ ORTUS TECHNOLOGY assumes no liability for defects such as electrostatic discharge failure occurred during peeling off the protective film or Purchaser's assembly process.
- ◎ This Product is compatible for RoHS directive.

Object substance	Maximum content [ppm]
Cadmium and its compound	100
Hexavalent Chromium Compound	1000
Lead & Lead compound	1000
Mercury & Mercury compound	1000
Polybrominated biphenyl series (PBB series)	1000
Polybrominated biphenyl ether series (PBDE series)	1000



<Features of Blanview>

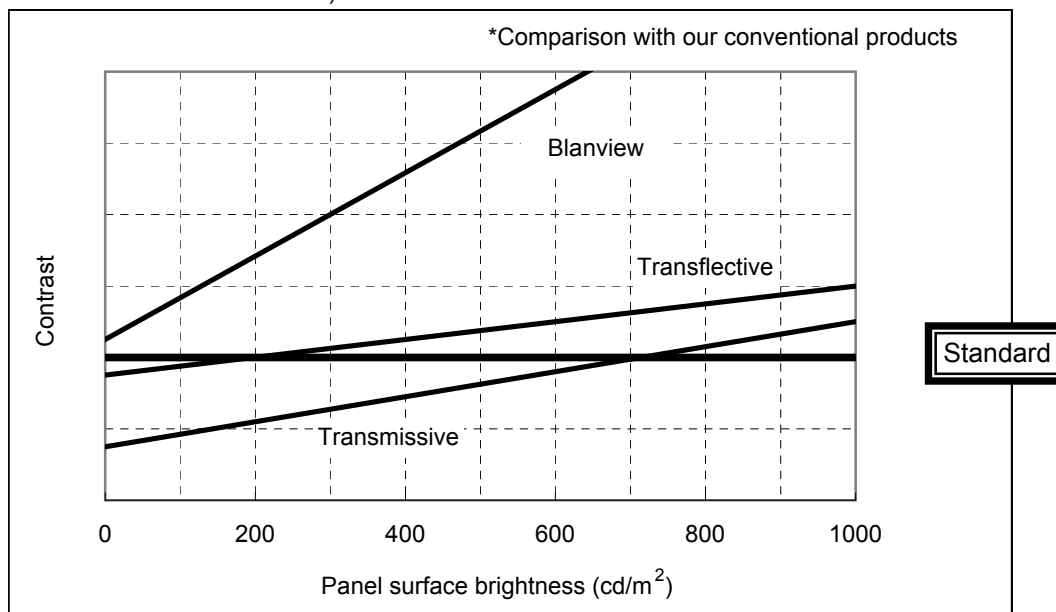
- Backlight power consumption required to assure visibility. (equivalent to 3.5"QVGA )



- Contrast characteristics under 100,000lx. (same condition as direct sunlight.)

With better contrast (higher contrast ratio), Blanview TFT-LCD has the best outdoor readability in three different types of TFT-LCD.

Below chart shows contrast value against panel surface brightness. (Horizontal: Panel surface brightness/ Vertical: Contrast value) LCD panel has enough outdoor readability above our Standard line. (ORTUS TECHNOLOGY criteria)





## 3. Dimensions and Shape

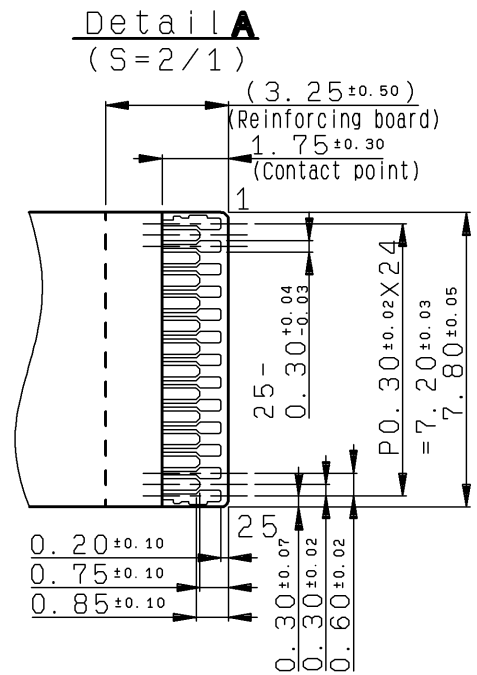
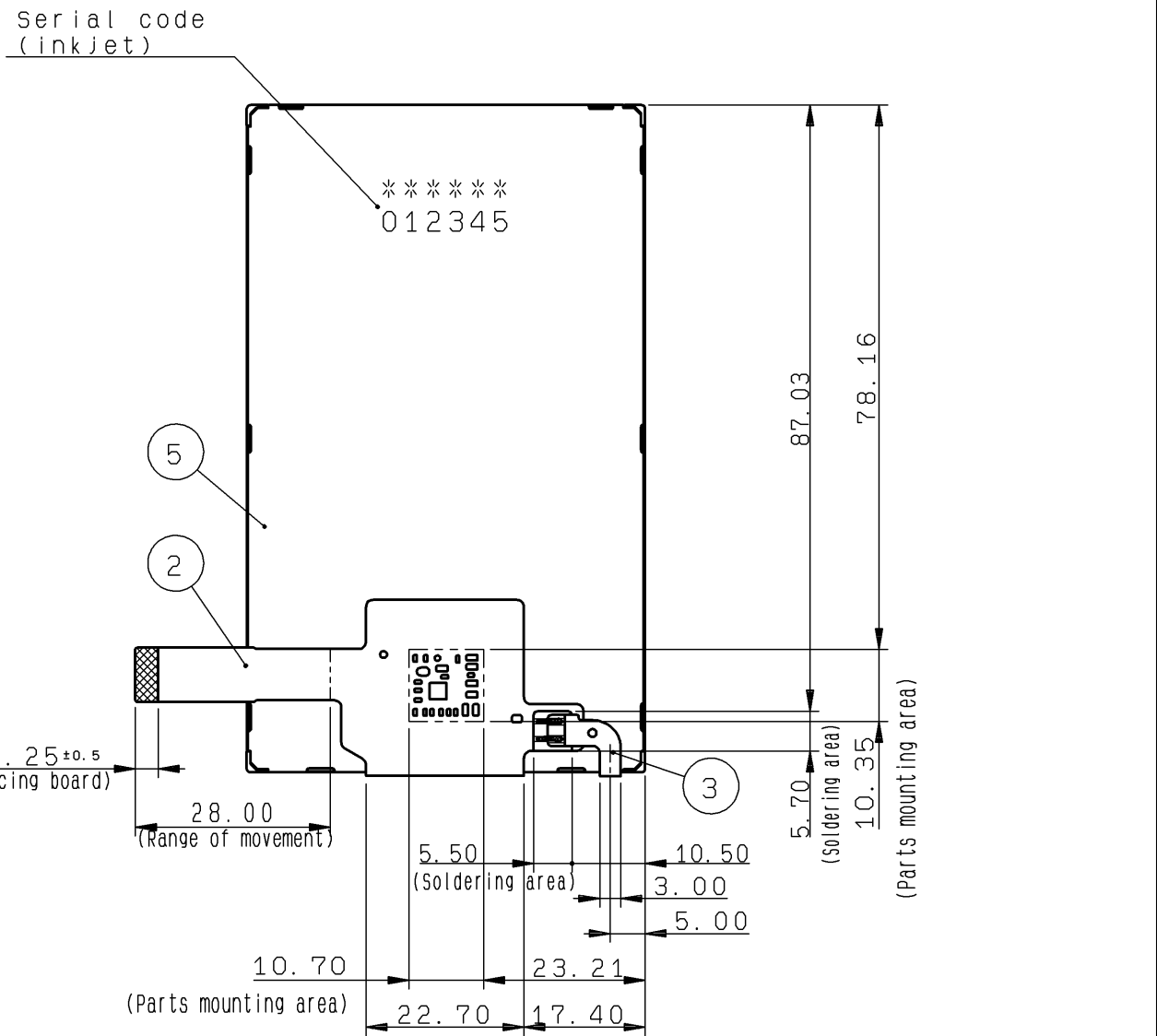
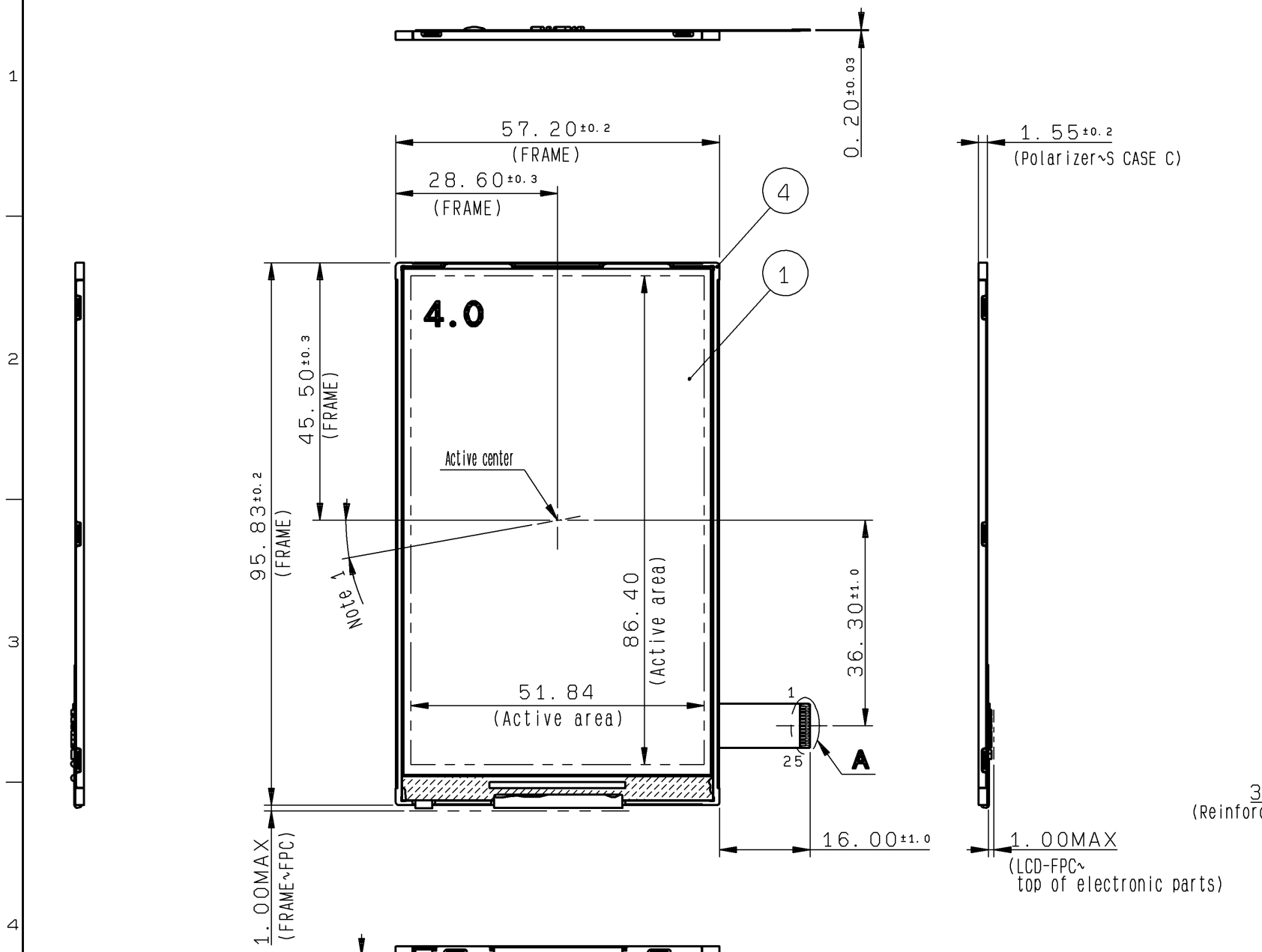
## 3.1 Dimensions

Items	Specifications	Unit	Remarks
Outline dimensions	57.20[H] × 95.83 [V] × 1.55 [D]	mm	Exclude FPC cable
Active area	51.84[H] × 86.40[V]	mm	100.8mm diagonal
Number of dots	1440[H] × 800[V]	dot	
Dot pitch	36.00[H] × 108.00[V]	um	
Surface hardness of the polarizer	2	H	Load: 2.94 N
Weight	16.5	g	Include FPC cable

3.2 Outward Form

EC No.	REV. No.	REVISE	DATE (Y:M:D)	APPROVED	CHECKED	PREPARED
	△	Correct:Detail A	17:11:15	尾木	木下	原田

(8/40)  
17TLM026  
Issue:Sep.14,2018



- Note 1. Angular deviation of LCD cell from the TFT-LCD monitor's reference axis shall be less than [±40' ].
- Note 2. Protective film is affixed on front surface of the screen. Location tolerance of the protective film shall be ±1.5 mm to the polarizing film.
- Note 3. Recommended FPC connector. For LCD : HIROSE, part number: FH35C-25S-0.3SHW(50)
- Note 4. Refer to "12. CRITERIA OF JUDGMENT" about the appearance specification of a polarizer.

	7			
	6			
S CASE C	5		SUS	
FRAME	4		PC	
LED FPC	3			
LCD FPC	2			
TFT-LCD PANEL	1		Glass substrate thickness=0.2±0.2t	
PART NAME	ITEM	PART CODE	MODEL NUMBER	REMARK
APPROVED 敷地	GENERAL TOLERANCE ±0.5	SCALE 1/1	UNIT mm	<b>ORTUSTECH</b> ORTUS TECHNOLOGY CO., LTD. DO NOT DUPLICATE, CONFIDENTIAL AND PROPRIETARY
CHECKED 木下	ISSUE (Y:M:D) 17:08:04	MODEL COM40H4N40U**		
CHECKED	NAME			DRAWING No.
DESIGN 萩野	<b>OUTLINE-D4N40</b>			REV.
DRAW 萩野				RJD528946D301
				SHEET DIV.
				ASS'Y

## 3.3 Serial No. print (S-print)

## 1) Display Items

S-print indicates the least significant digit of manufacture year (1digit), manufacture month with below alphabet (1letter), model code (5characters), serial number (6digits).

## \* Contents of Display

*	*	*****	*****
-	-	-----	-----
a	b	c	d

Contents of display				
a	The least significant digit of manufacture year			
b	Manufacture month	Jan-A Feb-B Mar-C Apr-D	May-E Jun-F Jul-G Aug-H	Sep-I Oct-J Nov-K Dec-L
c	Model code	40BPC (Made in Japan) 40BQC (Made in Malaysia)		
d	Serial number			

## \* Example of indication of Serial № print (S-print)

## •Made in Japan

7J40BPC000125

means "manufactured in October 2017, 4.0" BP type, C specifications, serial number 000125"

## •Made in Malaysia

7J40BQC000125

means "manufactured in October 2017, 4.0" BQ type, C specifications, serial number 000125"

## 2) Location of Serial No. print (S-print)

Refer to 3.2 "Outward Form".

## 3)Others

Please note that it is likely to disappear with an organic solvent about the Serial print.

## 4. Pin Assignment

No.	Symbol	Details	Remark	IO
1	GND	Ground		P
2	LED-	Backlight LED Cathode		P
3	LED+	Backlight LED Anode		P
4	VDD	Analog Power Supply	VDD = 3.3V (TYP)	P
5	VDD	Analog Power Supply	VDD = 3.3V (TYP)	P
6	GND	Ground(PVSS)		P
7	VCCIO	DSI and I/O Power Supply	VCCIO = 1.8V (TYP)	P
8	TEST 4	TEST pin	Please connect this pin to GND.	I
9	TEST 3	TEST pin	Please connect this pin to GND.	I
10	ID1	ID check	Output level is GND.	O
11	ID2	ID check	Output level is GND.	O
12	TEST 1	TEST pin	Please connect this pin to VCCIO(1.8V)	I
13	TEST 2	TEST pin	Please connect this pin to VCCIO(1.8V)	I
14	GND	Ground		P
15	RESETB	LCD Reset	L:Initialize Power_ON Reset is Required when Turning on the Power	I
16	GND	Ground		P
17	DSI_D0P	MIPI-DSI Data differential signal input pin (Data lane 0)		IO
18	DSI_D0N	MIPI-DSI Data differential signal input pin (Data lane 0)		IO
19	GND	Ground		P
20	DSI_CN	MIPI-DSI Clock differential signal input pin		I
21	DSI_CP	MIPI-DSI Clock differential signal input pin		I
22	GND	Ground		P
23	DSI_D1P	MIPI-DSI Data differential signal input pin (Data lane 1)		I
24	DSI_D1N	MIPI-DSI Data differential signal input pin (Data lane 1)		I
25	GND	Ground		P

- Recommended connector : ( FH35C-25S-0.3SHW(50) /HIROSE ELECTRIC)
- Please make sure to check a consistency between pin assignment in "3.2 Outward Form" and your connector pin assignment when designing your circuit.  
Inconsistency in input signal assignment may cause a malfunction.
- Since FPC cable has gold plated terminals, gilt finish contact shoe connector is recommended.

## 5. Absolute Maximum Rating

GND=0V

Item	Symbol	Condition	Rating		Unit	Applicable terminal
			MIN	MAX		
Supply voltage	VDD	Ta=25 °C	-0.3	4.6	V	VDD
DSI and I/O Power Supply voltage	VCCIO		-0.3	4.6	V	VCCIO
Input voltage for logic	VI		-0.3	VCCIO+0.3	V	RESETB TEST1-4
DSI Input voltage	VDSIIN		-0.15	1.45	V	DSI_D0P/N , DSI_D1P/N DSI_CP/N
LED forward current	IL	Ta = 25 °C	-	35	mA	LED+ - LED-
		Ta = 70 °C	-	15		
Storage temperature range	Tstg		-30	80	°C	
Storage humidity range	Hstg	Non condensing in an environmental moisture at or less than 40 °C 90%RH.				

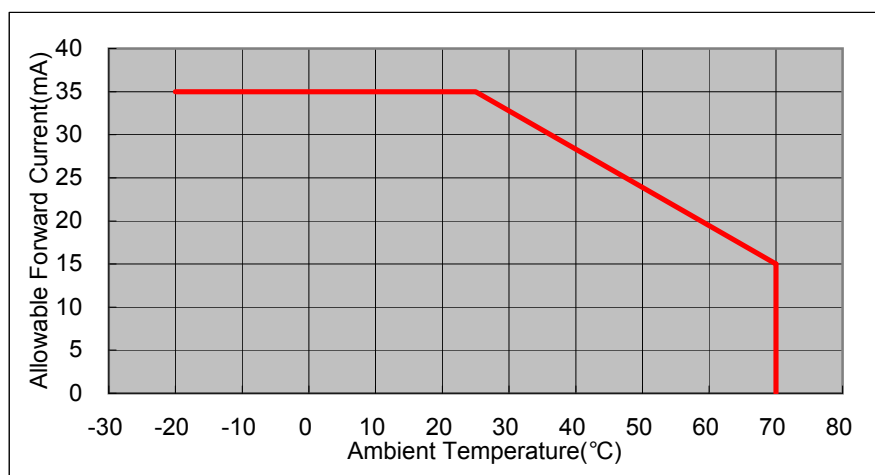
## 6. Recommended Operating Conditions

GND=0V

Item	Symbol	Condition	Rating			Unit	Applicable terminal
			MIN	TYP	MAX		
Supply voltage	VDD		2.7	3.3	3.6	V	VDD
DSI and I/O Power Supply voltage	VCCIO		1.7	1.8	1.9	V	VCCIO
Input voltage for logic	VI		0	-	VCCIO	V	RESETB TEST1-4
DSI Input voltage	VI		-0.05	-	1.35	V	DSI_D0P/N DSI_D1P/N DSI_CP/N
Operational temperature range	Top	Note1,2	-20	25	70	°C	Panel surface temperature
Operating humidity range	Hop	Ta<=30 °C	20	-	80	%	
		Ta>30 °C	Non condensing in an environmental moisture at or less than 30 °C 80%RH.				

Note1: This monitor is operatable in this temperature range. With regard to optical characteristics, refer to Item 11."CHARACTERISTICS".

Note 2: Acceptable Forward Current to LED is up to 15 mA, when Ta=+70 °C.  
Do not exceed Allowable Forward Current shown on the chart below.



## 7. Characteristics

## 7.1 DC Characteristics

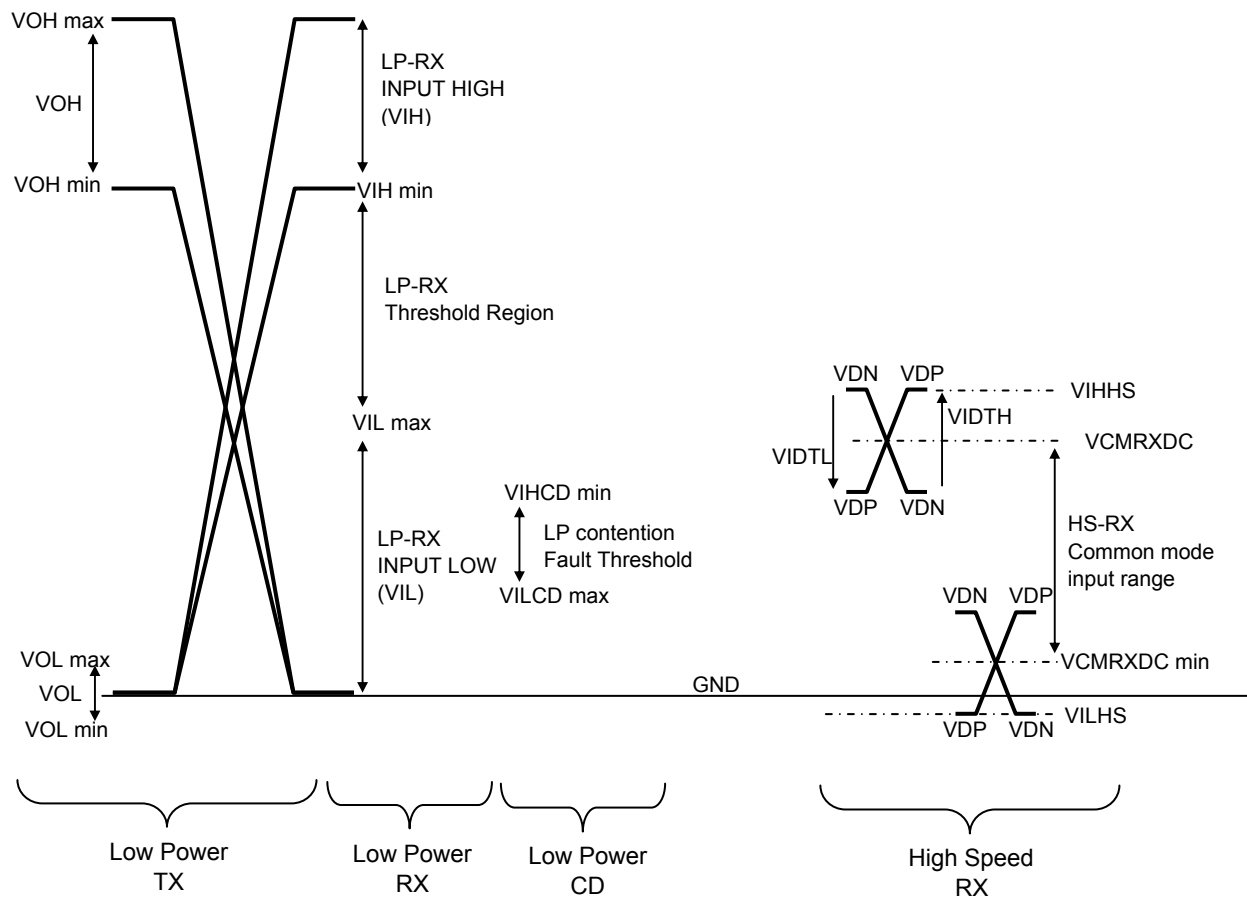
## 7.1.1 Display Module

(Unless otherwise noted, Ta=25 °C, VDD=3.3V, VCCIO=1.8V, GND=0V)

Item	Symbol	Condition	Rating			Unit	Applicable terminal
			MIN	TYP	MAX		
Input Signal Voltage	VIH	VCCIO=1.7-1.9V	0.7×VCCIO	-	VCCIO	V	RESETB
	VIL		0	-	0.3×VCCIO	V	TEST1-4
Operating Current	IDD	fDSICLK=150 MHz	-	12.5	25.0	mA	VDD
	ICCIO	Color bar display	-	3.3	6.6	mA	VCCIO
Sleep_mode Current	IDDS	Clock/Data=LP11	-	43	100	uA	VDD
	ICCIOS	Sleep_mode	-	10	100	uA	VCCIO

## 7.1.2 MIPI DSI Interface

Item	Symbol	Condition	Rating			Unit	Note
			MIN	TYP	MAX		
HS-RX	Differential input high threshold	VIDTH	-	-	110	mV	
	Differential input low threshold	VIDTL	-110	-	-	mV	
	Single-ended input high voltage	VIHHS	-	-	460	mV	
	Single-ended input low voltage	VILHS	-40	-	-	mV	
	Common-mode voltage HS receive mode	VCMRXD C	70	-	330	mV	
	Differential input impedance	ZID	80	100	125	Ohm	
LP-RX	Logic 1 input voltage	VIH	880	-	-	mV	
	Logic 0 input voltage	VIL	-	-	550	mV	
LP-TX	Thevenin output low level	VOL	-50	-	50	mV	
	Thevenin output high level	VOH	1.1	1.2	1.3	V	
	Output impedance of LP transmitter	ZOLP	110	-	-	Ohm	
CD-RX	Logic 1 contention threshold	VIHCD	450	-	-	mV	
	Logic 0 contention threshold	VILCD	-	-	220	mV	



The signal levels for the LP and HS .

### 7.1.3 Backlight

Item	Symbol	Condition	Rating			Unit	Applicable terminal
			MIN	TYP	MAX		
Forward current	IL25	Ta=25 °C	--	10	35	mA	LED+ - LED-
	IL70	Ta=70 °C	--	--	15	mA	
Forward voltage	VL	Ta=25 °C IL=10mA	--	19.25	20.3	V	
Estimated Life of LED	LL	Ta=25 °C IL=10mA Note	--	50000	--	hrs	

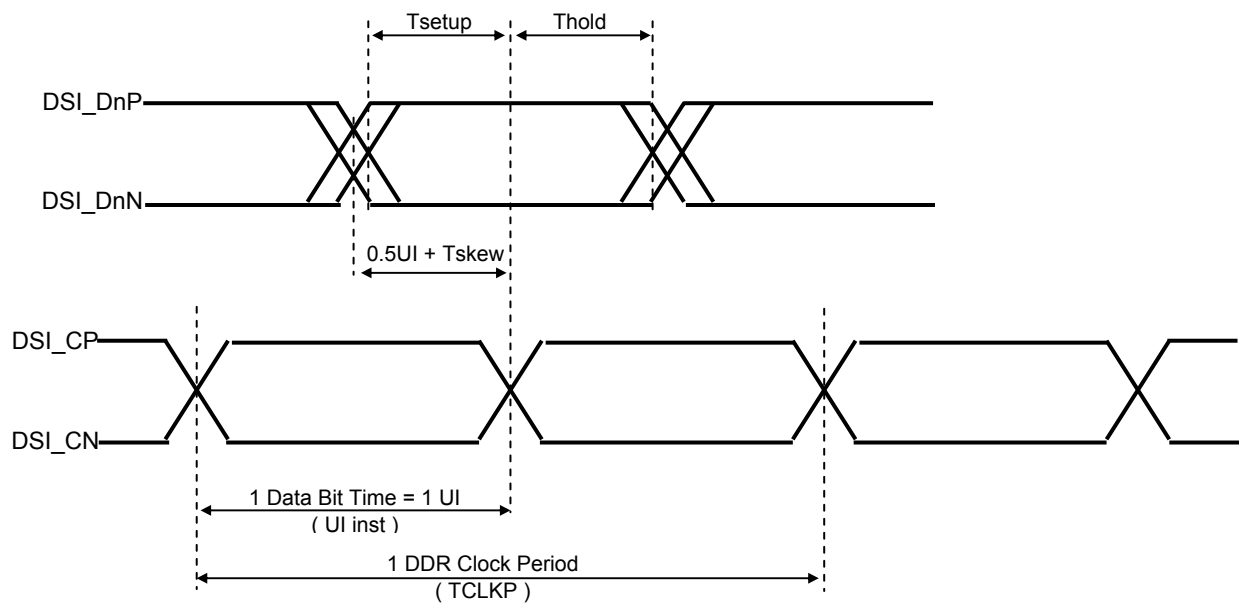
- Note: - The lifetime of the LED is defined as a period till the brightness of the LED decreases to the half of its initial value.
- This figure is given as a reference purpose only, and not as a guarantee.
  - This figure is estimated for an LED operating alone.
- As the performance of an LED may differ when assembled as a monitor together with a TFT panel due to different environmental temperature.
- Estimated lifetime could vary on a different temperature and usually higher temperature could reduce the life significantly.

## 7.2 AC Characteristics

## 7.2.1 HS-RX Specifications

(Unless otherwise noted,  $T_a=25\text{ }^\circ\text{C}$ ,  $V_{DD}=3.3\text{V}$ ,  $V_{CCIO}=1.8\text{V}$ ,  $GND=0\text{V}$ )

Item	Symbol	Rating			Unit	Applicable terminal
		MIN	TYP	MAX		
DSICLK Frequency	f DSICLK	40	-	200	MHz	DSI_CP/N
DSICLK Cycle time	TCLKP	5.0	-	25.0	ns	
DSI Data Transfer Rate	UI	2.5	-	12.5	ns	DSI_D0P/N , DSI_D1P/N
	t DSIR	80	-	400	Mbps	
Data to Clock Setup Time	Tsetup	0.35	-	-	UI	DSI_D0P/N , DSI_D1P/N
Clock to Data Hold Time	Thold	0.25	-	-	UI	DSI_CP/N



Data to Clock Timing Definitions

## 7.2.2 LP-TX Specifications

(Unless otherwise noted,  $T_a=25\text{ }^\circ\text{C}$ ,  $V_{DD}=3.3\text{V}$ ,  $V_{CCIO}=1.8\text{V}$ ,  $GND=0\text{V}$ )

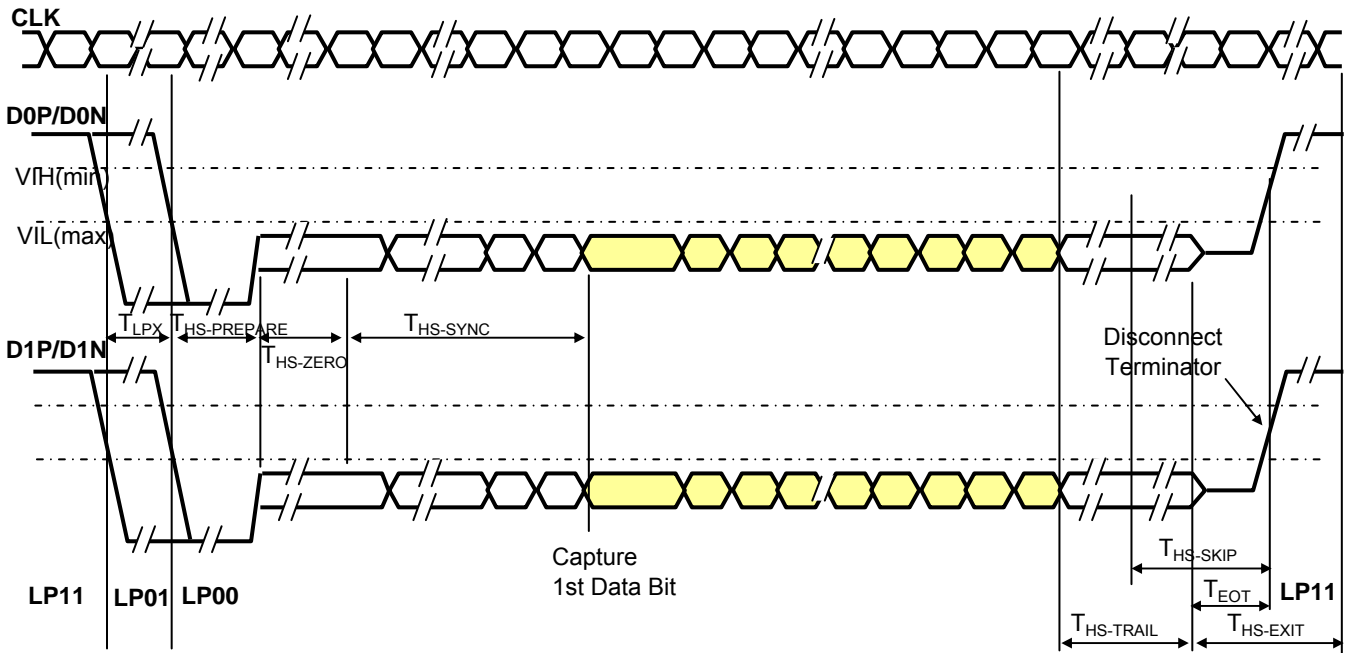
Item	Symbol	Condition	Rating			Unit	Applicable terminal
			MIN	TYP	MAX		
15% - 85% rise time	TRLP		-	-	25	ns	DSI_D0P/N
85% - 15% fall time	TFLP		-	-	25	ns	DSI_D0P/N
Slew rate	$\Delta v / \Delta t_{SR}$	Cl <sub>load</sub> = 70pF	30	-	500	mV/ns	DSI_D0P/N



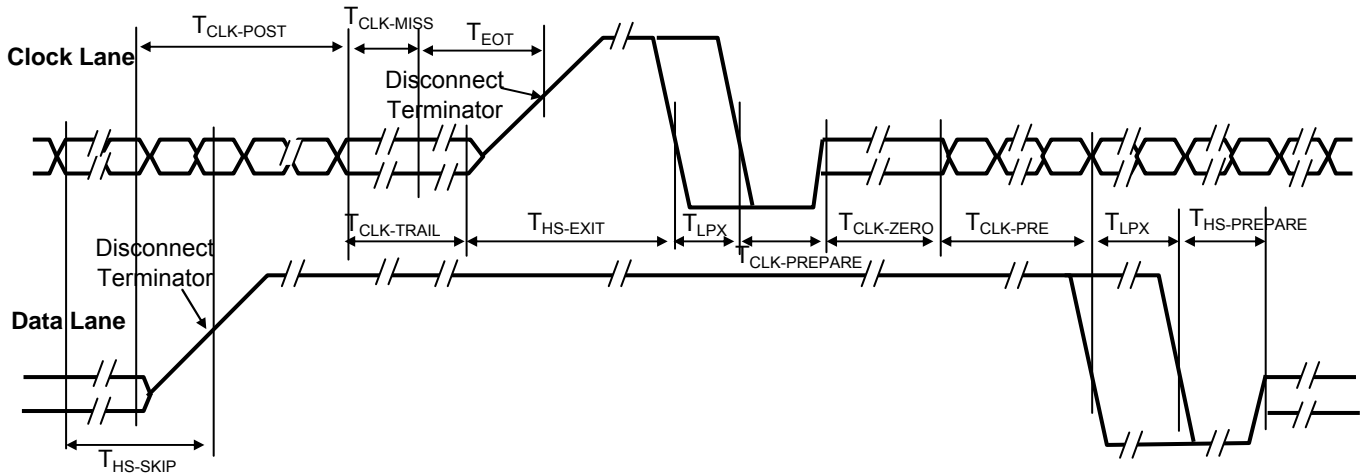
## 7.2.3 RX/TX Specifications

(Unless otherwise noted,  $T_a=25\text{ }^\circ\text{C}$ ,  $V_{DD}=3.3\text{V}$ ,  $V_{CCIO}=1.8\text{V}$ ,  $GND=0\text{V}$ )

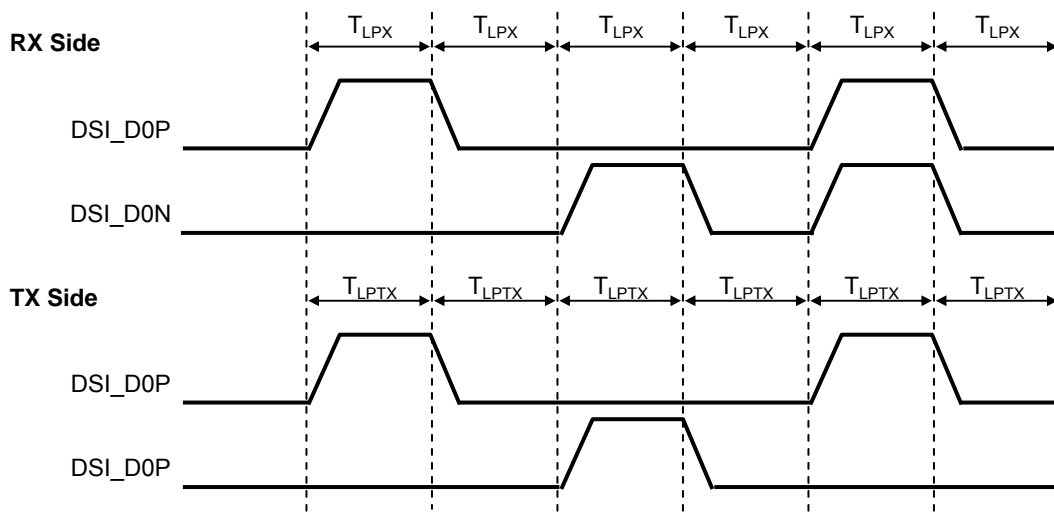
Item	Description	Rating			Unit
		MIN	TYP	MAX	
$T_{HS-PREPARE}$	Time to drive LP00 to prepare for HS transmission	40 ns + 4UI	-	85 ns + 6UI, $\leq 100\text{ ns}$	
$T_{HS-PREPARE} + T_{HS-ZERO}$	$T_{HS-PREPARE}$ + Time to drive HS0 before the SYNC sequence	145 ns + 10UI	-	-	
$T_{HS-TRAIL}$	Time to drive flipped differential state after last payload data bit of a HS transmission burst	$\max(n*8\text{UI}, 60\text{ ns} + n*4\text{UI})$	-	-	
$T_{HS-EXIT}$	Time to drive LP11 after HS burst	100	-	-	ns
$T_{TA-GO}$	Time to drive LP00 after Turnaround Request	$4*T_{LPTX}$			
$T_{TA-SURE}$	Time out before new TX side starts driving	$T_{LPTX}$	-	$2*T_{LPTX}$	
$T_{TA-GET}$	Time to drive LP00 by new TX	$5*T_{LPTX}$			
$T_{LPX}$	Length of any Low Power state period	50	-	-	ns
Ratio $T_{LPX}$	Ratio of $T_{LPX}(\text{MASTER})/T_{LPX}(\text{SLAVE})$ between Master and Slave side	2/3	-	3/2	
$T_{CLK-POST}$	Time that the transmitter shall continue sending HS clock after the last associated Data Lane has transitioned to LP mode	60 ns + 52UI	-	-	
$T_{CLK-PREPARE} + T_{CLK-ZERO}$	$T_{CLK-PREPARE}$ + time for lead HS-0 drive period before starting Clock	300	-	-	ns
$T_{CLK-PRE}$	Time that the HS clock shall be driven prior to any associated Data Lane beginning the transition from LP to HS mode	8	-	-	UI
$T_{CLK-PREPARE}$	Time to drive LP-00 to prepare for HS clock transmission	38	-	95	ns
$T_{CLK-TRAIL}$	Time to drive HS differential state after last payload clock bit of a HS transmission burst	60	-	-	ns
$T_{EOT}$	Time from start of $T_{HS-TRAIL}$ period to start of LP-11 state	-	-	105 ns + $n*12\text{UI}$	
$T_{LPTX1}$	Length of Low-Power TX state period in case of using DSI clock	-	$n*DSITX$	-	UI
$T_{LPTX2}$	Length of Low-Power TX state period in case of using internal OSC clock	-	1/fosc	-	ns



HS Data Transmission in Bursts



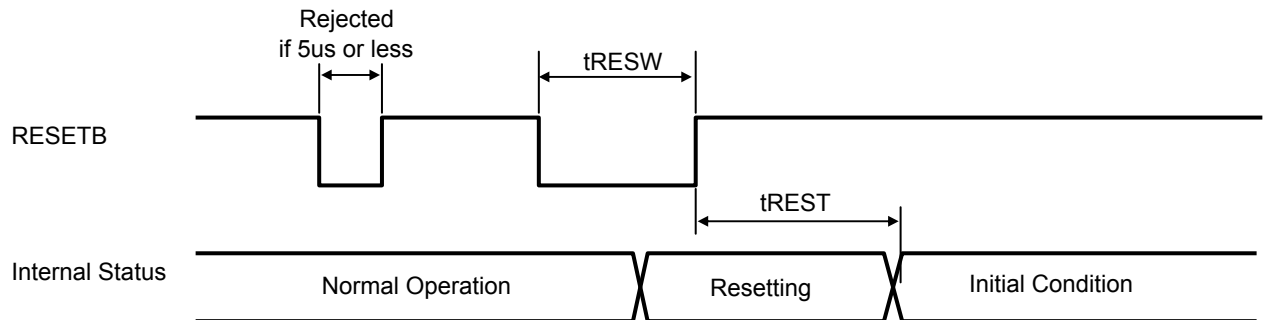
Switching the Clock Lane between Clock Transmission and LP mode



DSI LP Mode

## 7.2.4 Reset input timing

Item	Symbol	Condition	Rating			Unit	Remark
			MIN	TYP	MAX		
Reset Low Pulse width	tRESW		10	-	-	us	RESETB
Reset Complete time	tREST	during Sleep In	-	-	5	ms	RESETB
		during Sleep Out	-	-	120	ms	RESETB



RESETB input timing

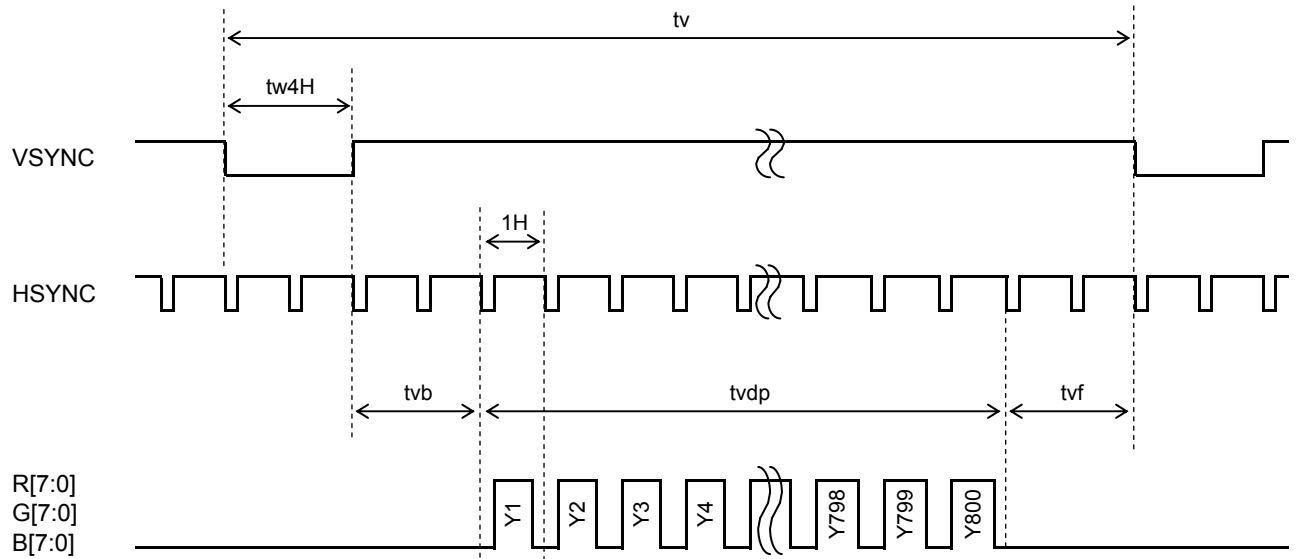
## 7.3 Input Timing Characteristics

Item	Symbol	Rating			Unit	Remark
		MIN	TYP	MAX		
CLK Frequency	fPCLK	20.3	25.0	32.2	MHz	PCLK
VSYNC Frequency	Note fVSYNC	54	57.46	66	Hz	VSYNC
VSYNC Cycle	tv	818	824	950	H	
VSYNC Pulse Width	tw4H	6	8	50	H	
Vertical Back Porch	tvb	6	8	50	H	
Vertical Front Porch	tvf	6	8	50	H	
Vertical Display Period	tvdP	--	800	--	H	
HSYNC frequency	fHSYNC	38.8	48.6	53.4	kHz	HSYNC
HSYNC Cycle	th	506	528	568	CLK	
HSYNC Pulse Width	tw5H	6	16	78	CLK	
Horizontal Back Porch	thb	6	16	78	CLK	
Horizontal Front Porch	thf	6	16	78	CLK	
Horizontal data start Point	tw5H+thb	20	--	83	CLK	
Horizontal Blanking Period	tw5H+thb+thf	26	--	88	CLK	
Horizontal Display Period	thdp	--	480	--	CLK	

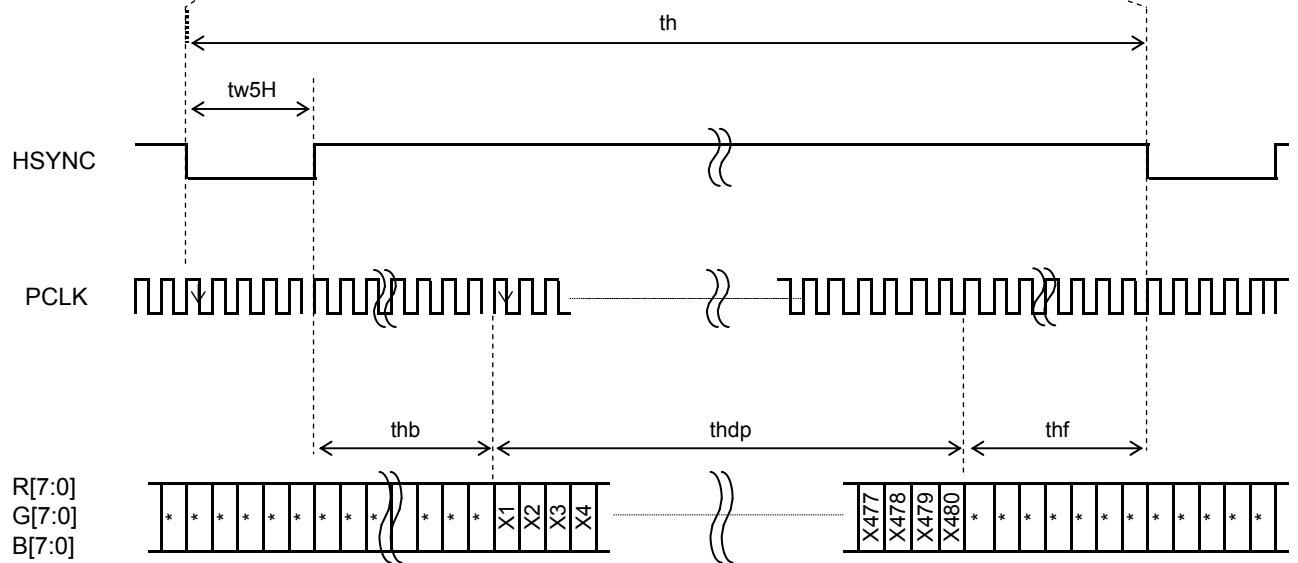
Note: This is recommended spec to get high quality picture on display. It is customer's risk to use out of this frequency.

### 7.4 Input Signal Timing Chart

#### -Vertical Timing



#### -Horizontal Timing



Timing Characteristics of input signals

## 8. About MIPI Interface

### 8.1 Version

The DSI incorporated in the LCD-Driver complies with the following standards.

MIPI DSI : Version 1.01

MIPI D-PHY : Version 1.00

Data transfer mode : Video mode only.

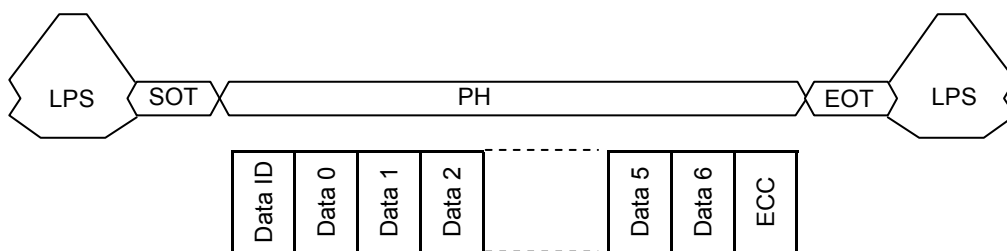
If the DSI\_CLK lane becomes unintentionally at the LP (Low Power) level due to the influence of noise such as ESD, it may malfunction.

As a countermeasure for this, we recommend turning DSI\_CLK OFF (LP) during the blanking period.

Virtual Channel : Set to VC[1:0]=00.

### 8.2 DSI protocol

- Short packets specify the payload length using the Data Type field and are from 2 to 9 bytes in length. Short packets is used for most Command Mode commands and associated parameters.



LPS : Low power state

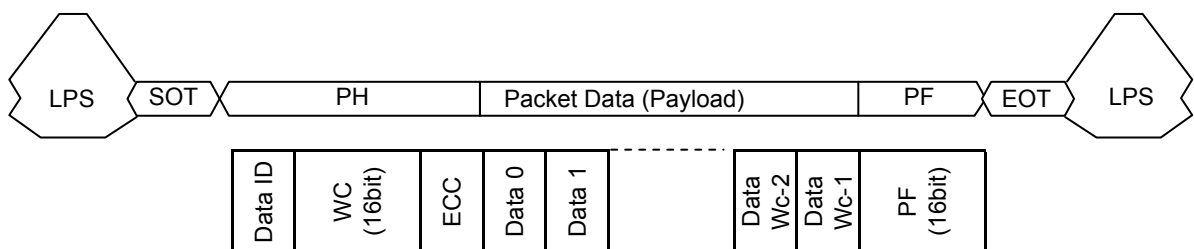
SOT : Start of Transmission

PH : Packet Header

DI(Data ID) : Contain Virtual Channel Identifier and Data Type

ECC : Error Correction Code

- Long packets specify the payload length using a two-byte Word Count field and then the payload maybe 0 to 65,541 bytes in length. Long packets permit transmission of large blocks of pixel or other data.



LPS : Low power state

SOT : Start of Transmission

PH : Packet Header

DI(Data ID) : Contain Virtual Channel Identifier and Data Type

WC(Word Count) : The receiver use WC to define packet end.

ECC : Error Correction Code

PF(Packet Footer) : Mean 16-bit Checksum.

### 8.3 Packet data types

LCD-Driver has the following restriction.

Generic short / Long Write Cmd is not supported.

It is only DCS Short / Long Write Cmd.

#### Processor to peripheral direction

Data Type Hex	Description	Size
01 h	Sync Event , V Sync Start (01,00,00,07)	Short
11 h	Sync Event , V Sync End (11,00,00,14)	Short
21 h	Sync Event , H Sync Start (21,00,00,12)	Short
31 h	Sync Event , H Sync End (31,00,00,01)	Short
22 h	Shut Down Peripheral Command (22,00,00,1E)	Short
32 h	Turn On Peripheral Command (32,00,00,0D)	Short
05 h	DCS WRITE , no parameters	Short
15 h	DCS WRITE , one parameters	Short
06 h	DCS READ , no parameters	Short
37 h	Set Maximum Return Packet Size	Short
08 h	End of Transmission Packet (08,0F,0F,01)	Short
09 h	Null Packet , no data	Long
19 h	Blanking Packet , no data	Long
39 h	DCS Long Write Command Packet	Long
0E h	Packed Pixel Stream , 16-bit RGB , 5-6-5 Format	Long
1E h	Packed Pixel Stream , 18-bit RGB , 6-6-6 Format	Long
2E h	Loosely Packed Pixel Stream , 18-bit RGB ,6-6-6 Format	Long
3E h	Packed Pixel Stream , 24-bit RGB , 8-8-8 Format	Long

#### Peripheral to processor direction

Data Type Hex	Description	Size
02 h	Acknowledge with Error Report	Short
1C h	DCS Long READ Response	Long

### 8.4 Packet Footer on the long packet

After Packet Data, Packet Footer is added in Long packet. Packet Footer adds CRC calculated from Packet Data as Checksum.

Checksum(2byte) = CRC(Packet Data)

$CRC = X^{16} + X^{12} + X^5 + X^0$

## 9. Sequence

## 9.1 Power-ON Sequence

PH :Packet Header

PD :Packet Data

PF:Packet Footer (=Checksum)

No.		Function	DNC	Command /Parameter	Type	Command/Parameter
		RESETB=0				
	Power on	VDD, VCCIO on				
	Wait	wait 10 msec or more				
		RESETB=1				
	MIPI signal state	keep CLKN, CLKP, D0N, D0P, D1N, D1P in STOP state (LP)				
	Wait	wait 10 msec or more				
1	Sleep out	Sleep out	0	11h	PH	[05 11 00 36]
	Wait	wait 200 msec or more				
2	Enable extended commands	Enable extended commands	0	B9h	PH	[39 04 00 2C]
Parameter 1		1	FFh	PD	[B9 FF 83 63]	
Parameter 2		1	83h	PF	[XX XX]	
Parameter 3		1	63h			
3	Set lane number/ operation mode	Two data lane, Sync Pulses mode *1	0	BAh	PH	[39, 0E, 00, 15]
Parameter 1		1	80h	PD	[BA 80 00 10 08 08 10 7E 6E 6D 0A 01 80 43]	
Parameter 2		1	00h	PF	[XX XX]	
Parameter 3		1	10h			
Parameter 4		1	08h			
Parameter 5		1	08h			
Parameter 6		1	10h			
Parameter 7		1	7Eh			
Parameter 8		1	6Eh			
Parameter 9		1	6Dh			
Parameter 10		1	0Ah			
Parameter 11		1	01h			
Parameter 12		1	80h			
Parameter 13		1	43h			
4	Memory access control	Memory access control	0	36h	PH	[15 36 00 29]
Parameter 1		1	00h			
	Wait	wait 5 msec or more				
5	Set panel	Set panel	0	CCh	PH	[15 CC 0B 22]
Parameter 1		1	0Bh			
	Wait	wait 5 msec or more				
6	Display on	Display on	1	29h	PH	[05 29 00 1C]
7	Video stream	Video signals input				...
						...
						...

\*1 The described value is Sync Pulses mode in DSI interface.

If you want to changes the lane number/ operation mode. Please follow the under packet to change it.

Two data lane, Sync Pulses mode :

Packet header [39, 0E, 00, 15],

Packet data [BA 80 00 10 08 08 10 7E 6E 6D 0A 01 80 43],

Packet footer[XX XX]

Two data lane, Sync Events mode/Burst mode :

Packet header [39, 0E, 00, 15],

Packet data [BA 80 00 10 08 08 10 7E 6E 6D 0A 01 84 43],

Packet footer[XX XX]

One data lane, Sync Pulses mode :

Packet header [39, 0E, 00, 15],

Packet data [BA 80 00 10 08 08 10 7E 6E 6D 0A 00 80 43],

Packet footer[XX XX]

One data lane, Sync Events mode/Burst mode :

Packet header [39, 0E, 00, 15],

Packet data [BA 80 00 10 08 08 10 7E 6E 6D 0A 00 84 43],

Packet footer[XX XX]



**Set panel (CCh)**

This command is to decide the display direction (flip vertical and flip horizontal).

The setting parameter as below.

CCh	DNC	D7	D6	D5	D4	D3	D2	D1	D0	Hex
Command	0	1	1	0	0	1	1	0	0	CC
parameter1	1	-	-	-	SM_PANEL	SS_PANEL	GS_PANEL	REV_PANEL	BGR_PANEL	-

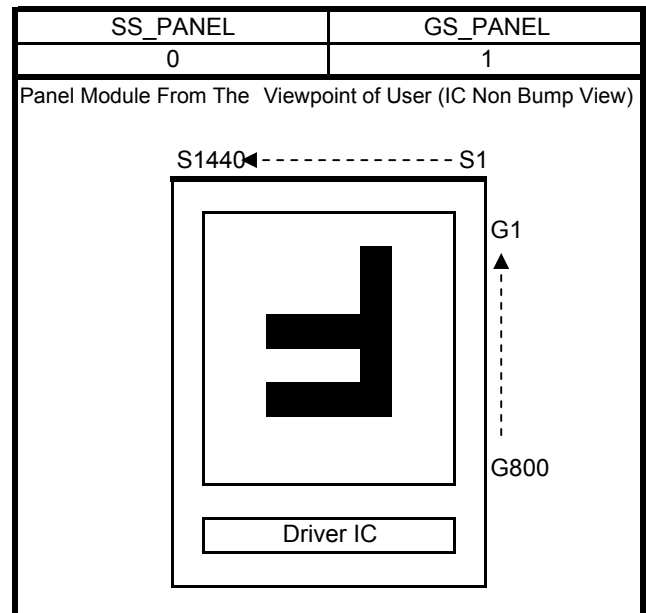
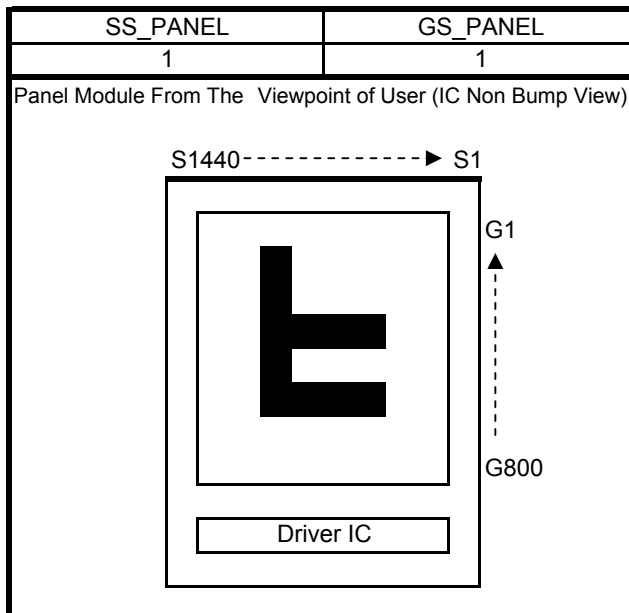
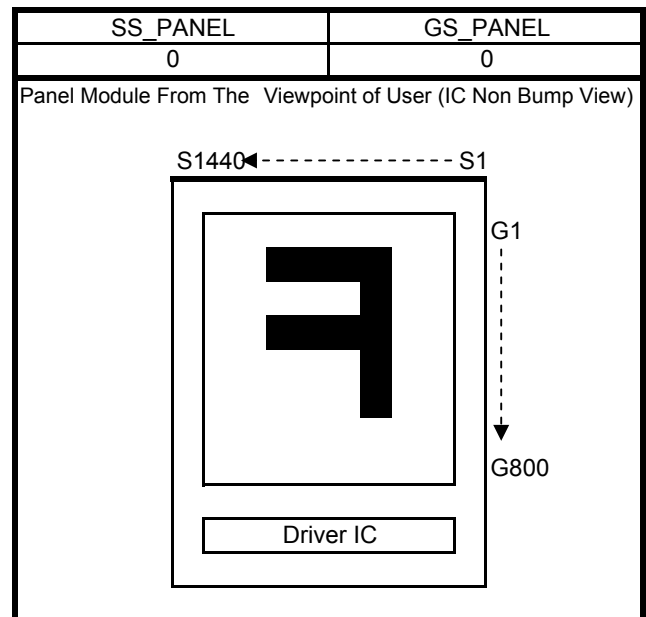
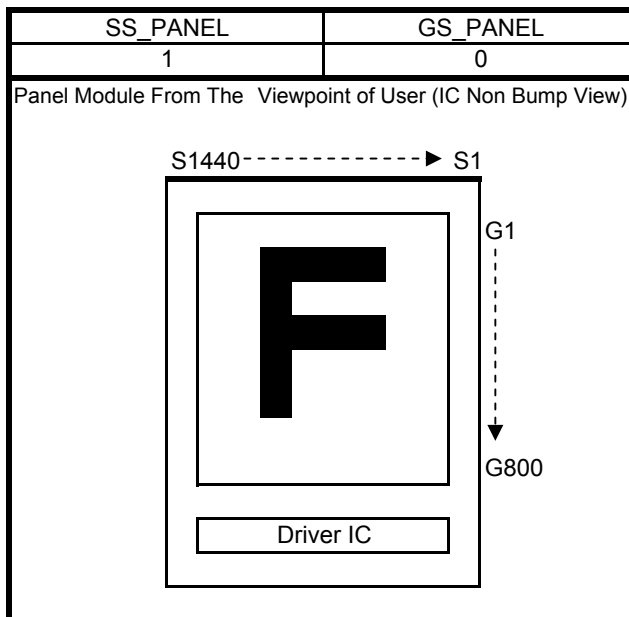
**BGR\_PANEL:**Has to be fixed to BGR\_PANEL = 1.

**REV\_PANEL:**Has to be fixed to REV\_PANEL = 1.

**GS\_PANEL:** Specify the shift direction of gate driver output.

**SS\_PANEL:** Specify the shift direction of source driver output.

**SM\_PANEL:** Has to be fixed to SM\_PANEL = 0.



Note : Following commands required to be set to activate set panel (CCh).

Function	Command/Parameter
Memory access control	36h
Parameter 1	00h

## 9.2 Power-OFF Sequence

PH :Packet Header

PD :Packet Data

PF:Packet Footer (=Checksum)

No.		Function	DNC	Command /Parameter	Type	Command/Parameter
1	Display off	Display off	0	28h	PH	[05 28 00 06]
	Wait	wait 5 msec or more				
2	Sleep in	Sleep in	0	10h	PH	[05 10 00 2C]
	Wait	wait 2 frames or more				
3	Video signals	Video signals stop				
4	RESETB	RESETB off				

↓  
Power off

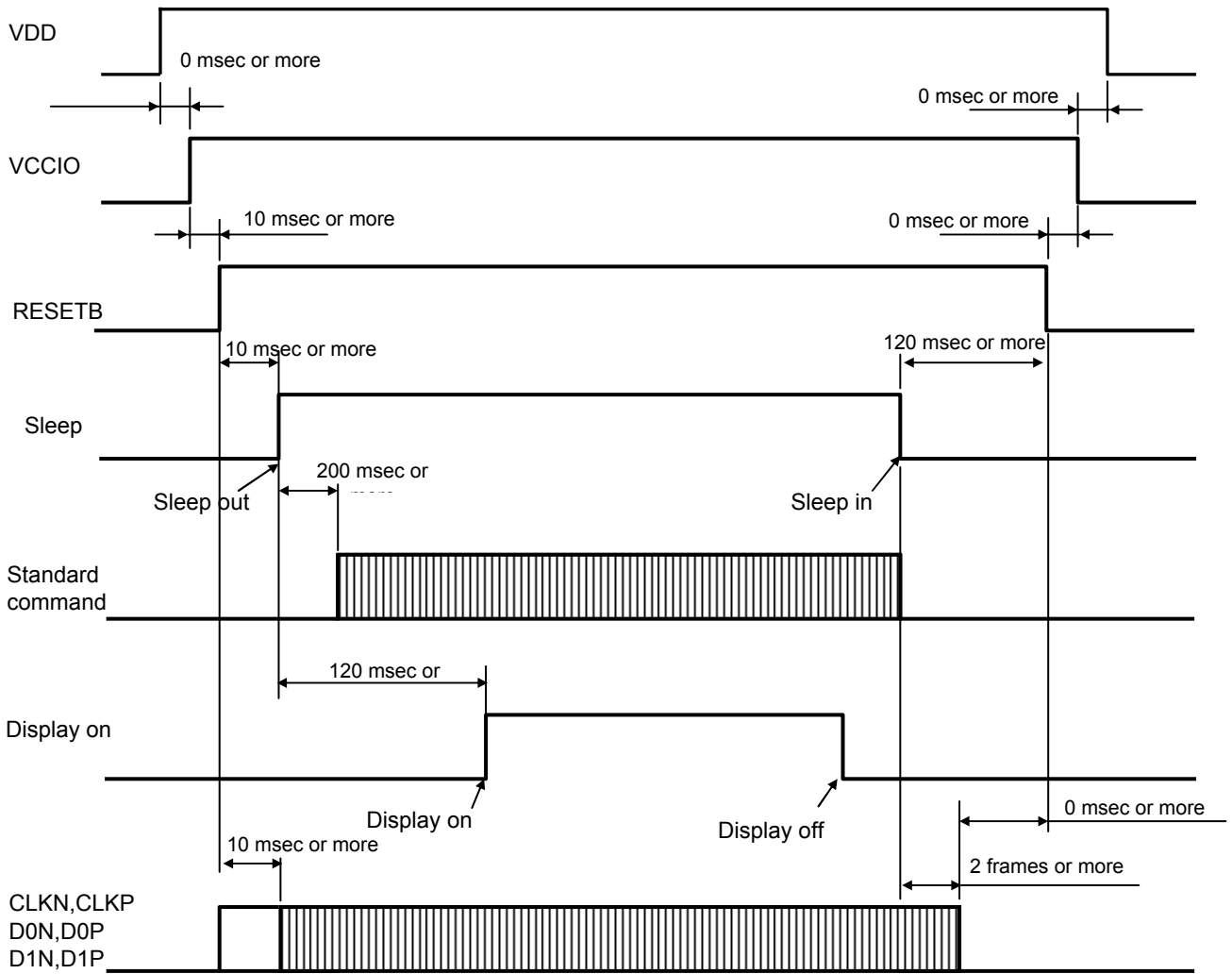
## 9.3 Sleep Sequence

No.		Function	DNC	Command /Parameter	Type	Command/Parameter
1	Sleep in	Sleep in	0	10h	PH	[05 10 00 2C]
	Wait	wait 2 frames or more				
2	Video signals	Video signals stop				

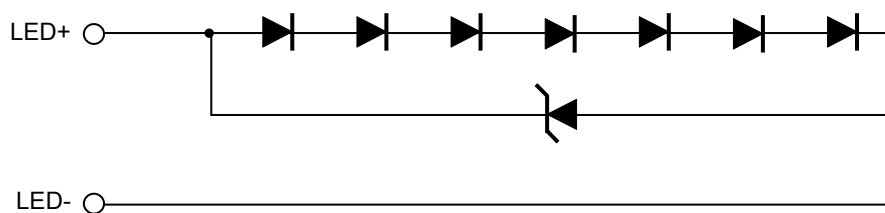
## 9.4 Sleep Release Sequence

No.		Function	DNC	Command /Parameter	Type	Command/Parameter
1	Video signals	Video signals start				
	Wait	wait 2 frames or more				
2	Sleep out	Sleep out	0	11h	PH	[05 11 00 36]

9.5 Power ON/OFF timing



10. LED Circuit



## 11. Characteristics

## 11.1 Optical Characteristics

&lt; Measurement Condition &gt;

Measuring instruments: CS1000 (KONICA MINOLTA) , LCD7200(OTSUKA ELECTRONICS) ,  
EZcontrast160D (ELDIM)

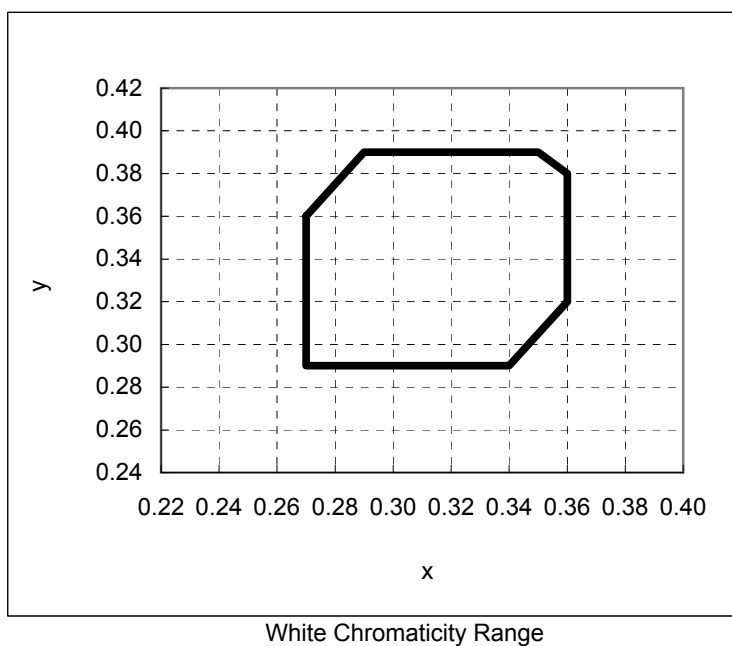
Driving condition: VDD = 3.3V, VCCIO = 1.8V  
Optimized VCOMDC

Backlight: IL=10mA

Measured temperature: Ta=25° C

Item	Symbol	Condition	MIN	TYP	MAX	Unit	Note No.	Remark	
Response time	Rise time	TON	[Data]= 00h→FFh	—	—	40	ms	1 ※	
	Fall time	TOFF	[Data]= FFh→00h	—	—	60	ms		
Contrast ratio	Backlight ON	CR	[Data]= FFh / 00h	300	600	—		2	
	Backlight OFF			—	3	—			
Viewing angle	Left	θL	[Data]= FFh / 00h CR ≥ 10	—	80	—	deg	3 ※	
	Right			θR	—	80	—		deg
	Up			φU	—	80	—		deg
	Down			φD	—	80	—		deg
White Chromaticity	x		White chromaticity range				4		
	y								
Burn-in			No noticeable burn-in image shall be observed after 2 hours of window pattern display.				5		
Center brightness		[Data]=FFh	320	490	—	cd/m <sup>2</sup>	6		
Brightness distribution		[Data]=FFh	70	—	—	%	7		

\* Note number 1 to 7: Refer to the APPENDIX of "Reference Method for Measuring Optical Characteristics".



【White Chromaticity Range】

x	y
0.27	0.36
0.27	0.29
0.34	0.29
0.36	0.32
0.36	0.38
0.35	0.39
0.29	0.39

## 11.2 Temperature Characteristics

< Measurement Condition >

Measuring instruments: CS1000 (KONICA MINOLTA) , LCD7200(OTSUKA ELECTRONICS)

Driving condition: VDD = 3.3V, VCCIO = 1.8V

Backlight: IL=10mA

Item			Specification		Remark
			Ta=-20°C	Ta=70°C	
Contrast ratio		CR	200 or more	200 or more	Backlight ON
Response time	Rise time	TON	400 msec or less	30 msec or less	
	Fall time	TOFF	600 msec or less	50 msec or less	
Display Quality			No noticeable display defect or nonuniformity should be observed.		

## 12. Criteria of Judgment

## 12.1 Defective Display and Screen Quality

Test Condition: Observed TFT-LCD monitor from front during operation  
with the following conditions

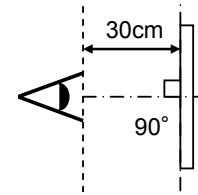
Driving Signal Raster Patter (RGB, white, black)

Signal condition [Data]:00h, 90h, FFh (3steps)

Observation distance 30 cm

Illuminance 200 to 350 lx

Backlight IL=10mA



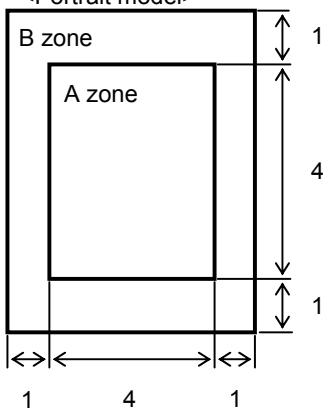
Defect item	Defect content		Criteria	
Display Quality	Line defect	Black, white or color line, 3 or more neighboring defective dots	Not exists	
	Dot defect	Uneven brightness on dot-by-dot base due to defective TFT or CF, or dust is counted as dot defect (brighter dot, darker dot)	Refer to table 1	
		High bright dot: Visible through 2% ND filter at [Data]=00h Low bright dot: Visible through 5% ND filter at [Data]=00h Dark dot: Appear dark through white display at [Data]=90h Invisible through 5% ND filter at [Data]=00h	Acceptable	
Screen Quality	Dirt	Uneven brightness (white stain, black stain etc)	Invisible through 5% ND filter at Black screen. Invisible through 1% ND filter at other screen.	
	Foreign particle	Point-like	$0.25\text{mm} < \varphi$	N=0
			$0.20\text{mm} < \varphi \leq 0.25\text{mm}$	$N \leq 2$
		$\varphi \leq 0.20\text{mm}$	Acceptable	
	Liner	$3.0\text{mm} < \text{length and } 0.08\text{mm} < \text{width}$	N=0	
$\text{length} \leq 3.0\text{mm}$ or $\text{width} \leq 0.08\text{mm}$		Acceptable		
Others		Use boundary sample for judgment when necessary		

$\varphi$ (mm): Average diameter = (major axis + minor axis)/2  
Permissible number: N

Table 1

Area	High bright dot	Low bright dot	Dark dot	Total	Criteria
A	0	2	2	3	Permissible distance between same color bright dots (includes neighboring dots): 3 mm or more Permissible distance between same color high bright dots (includes neighboring dots): 5 mm or more
B	2	4	4	6	
Total	2	4	4	7	

&lt;Portrait model&gt;



Division of A and B areas

B area: Active area

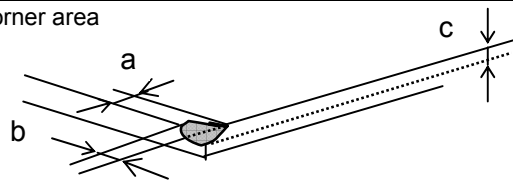
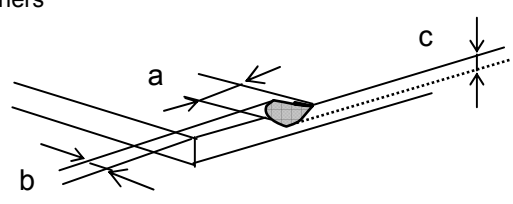
Dimensional ratio between A and B areas: 1: 4: 1 (Refer to the left figure)

## 12.2 Screen and Other Appearance

## Testing conditions

Observation distance	30cm
Illuminance	1200~2000 lx

Item	Criteria	Remark
Polarizer Flaw Stain Bubble Dust Dent	Ignore invisible defect when the backlight is on.	Applicable area: Active area only (Refer to the section 3.2 "Outward form")
S-case	No functional defect occurs	
FPC cable	No functional defect occurs	

Item	Appearance	Criteria
Glass chipping	Corner area 	Unit:mm $a \leq 3$ $b \leq 3$ $c \leq t$ (t: glass thickness) $a, b \leq 0.5$ is acceptable
	Others 	Unit:mm $a \leq 5$ $b \leq 1$ $c \leq t$ (t:glass thickness) $a, b \leq 0.5$ is acceptable Maximum permissible number of chipping off on a side is 5.
	Progressive crack	None



## 13. Reliability Test

Test item	Test condition	number of failures /number of examinations
Durability test	High temperature storage	Ta=80° C 240hrs 0/3
	Low temperature storage	Ta=-30° C 240hrs 0/3
	High temperature & high humidity storage	Ta=60° C, RH=90% 240hrs 0/3 non condensing
	High temperature operation	Tp=70° C 240hrs 0/3
	Low temperature operation	Tp=-20° C 240hrs 0/3
	High temp & humid operation	Tp=40° C, RH=90% 240hrs 0/3 non condensing
	Thermal shock storage	-30←→80° C(30min/30min) 100 cycles 0/3
	Lightfastness	Xenon Blackpanel 63±3°C non-shower 450W/m <sup>2</sup> (300~700nm) non-operating Integral dose 800MJ/m <sup>2</sup> 0/3
Mechanical environmental test	Electrostatic discharge test (Non operation)	Confirms to EIAJ ED-4701/300 C=200pF,R=0Ω,V=±200V Each 3 times of discharge on and power supply and other terminals. 0/3
	Surface discharge test (Non operation)	C=250pF, R=100Ω, V=±12kV Each 5 times of discharge in both polarities on the center of screen with the case grounded. 0/3
	Vibration test	Total amplitude 1.5mm, f=10~55Hz, X,Y,Z directions for each 2 hours 0/3
	Impact test	Use ORTUS TECHNOLOGY original jig (see next page)and make an impact with peak acceleration of 1000m/s <sup>2</sup> for 6 msec with half sine-curve at 3 times to each X, Y, Z directions in conformance with JIS C 60068-2-27-2011. 0/3
Packing test	Packing vibration-proof test	Acceleration of 19.6m/s <sup>2</sup> with frequency of 10→55→10Hz, X,Y, Zdirection for each 30 minutes 0/1 Packing
	Packing drop test	Drop from 75cm high. 1 time to each 6 surfaces, 3 edges, 1 corner 0/1 Packing

Note: Ta=ambient temperature Tp=Panel temperature

※ The profile of high temperature/humidity storage and High Temperature/humidity operation  
(Pure water of over 10MΩ·cm shall be used.)

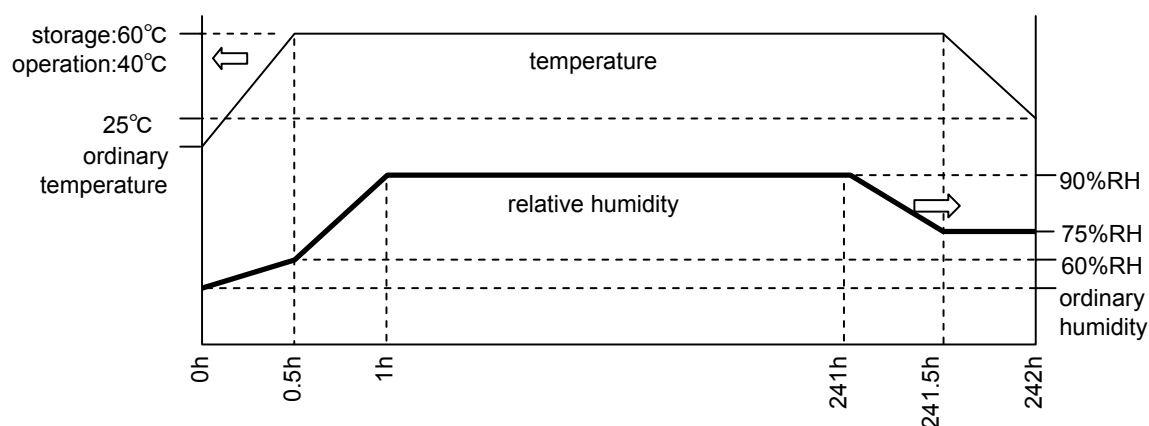
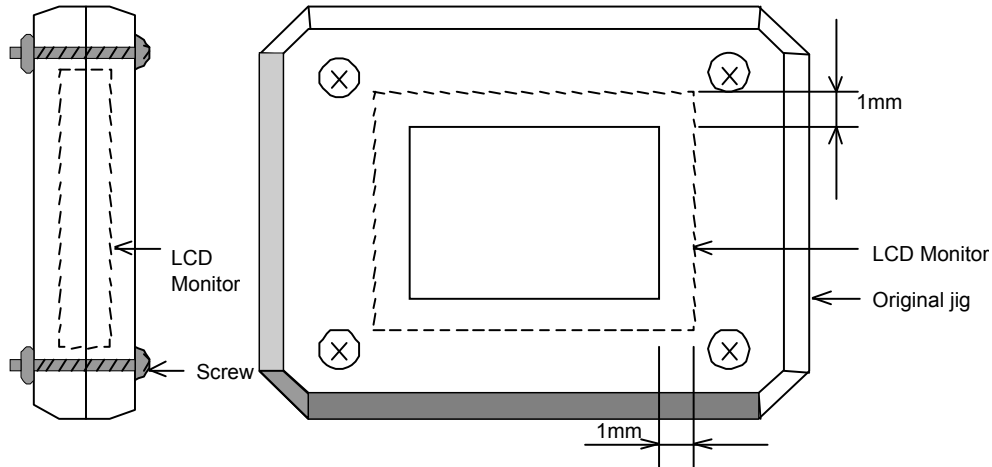


Table2.Reliability Criteria

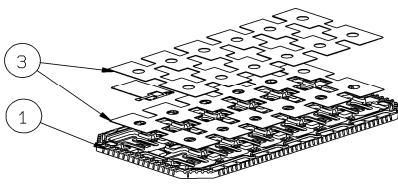
The parameters should be measured after leaving the monitor at the ordinary temperature for 24 hours or more after the test completion.

item	Standard	Remarks
Display quality	No visible abnormality shall be seen.	
Contrast ratio	200 or more	Backlight ON

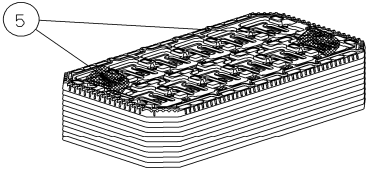
ORTUS TECHNOLOGY Original Jig



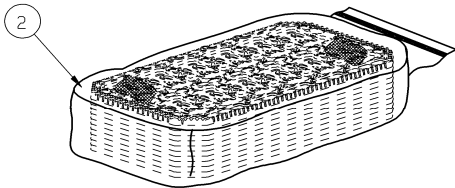
## 14. Packing Specifications



Step1. Foam sheet is put on the tray.  
Each product is to be placed in one of the cut-outs of the tray with the display surface facing downward.(12 products per tray)  
Foam sheet is to be placed on the products in the tray.



Step2. Each tray need to be same orientation respect to the tray below or above it and the trays be in a stack of 10 .  
One empty tray is to be put on the top of stack of 10 trays.



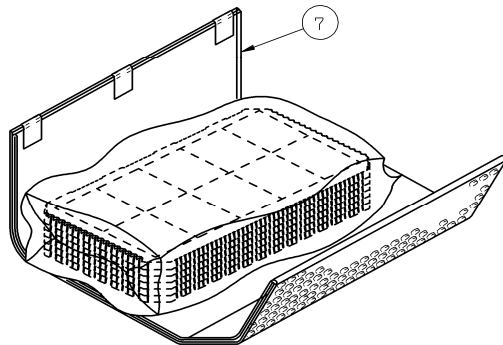
Step3. 2 packs of moisture absorbers are to be placed on the top tray as shown in the drawing.  
Put piled trays into a sealing bag.

Step4. Vacuum and seal the sealing bag with the vacuum sealing machine.

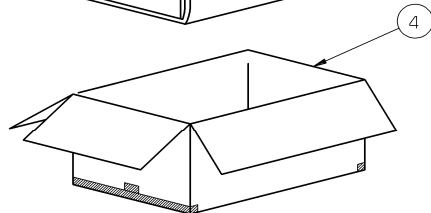
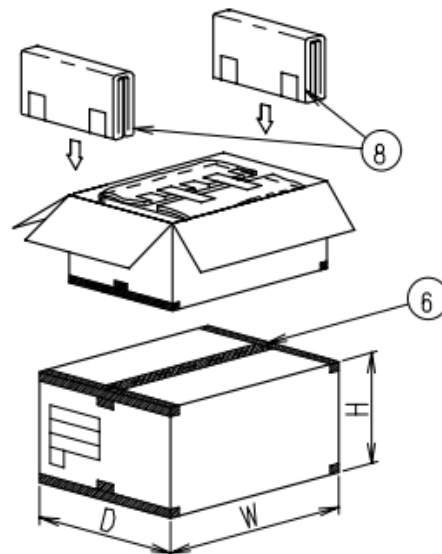
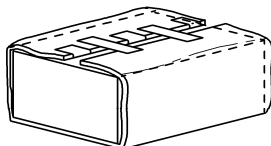
Step5. The stack of trays in the sealing bag is to be wrapped with a bubble cushioning sheet.

Step6. The wrapped trays are placed in the outer carton.

Step7. Bubble cushioning sheets are to be inserted into the outer carton with same orientation.  
The outer carton is to be sealed in H-shape with packing tape as shown in the drawing.



Step8. The model number, quantity of products, and shipping date are to be printed on the outer carton.  
If necessary, shipping labels or impression markings are to be put on the outer carton.



ired.

	Packing item name	Specs., Material
①	Tray	A-PET
②	Sealing bag	
③	FOAM SHEET	Anti-static polyethilene
④	Outer carton	Corrugated cardboard
⑤	Drier	Moisture absorber
⑥	Packing tape	
⑦	B SHEET A	Anti-static air babble sheet
⑧	B SHEET B	Anti-static air babble sheet

Dimension of extra outer carton	
D : Approx.	(356mm)
W : Approx.	(664mm)
H : Approx.	(182mm)
Quantity of products packed in one carton:	120
Gross weight : Approx.	5.0Kg

## 15. Handling Instruction

## 15.1 Cautions for Handling LCD panels

**Caution**

- (1) Do not make an impact on the LCD panel glass because it may break and you may get injured from it.
- (2) If the glass breaks, do not touch it with bare hands.  
(Fragment of broken glass may stick you or you cut yourself on it.)
- (3) If you get injured, receive adequate first aid and consult a medial doctor.
- (4) Do not let liquid crystal get into your mouth.  
(If the LCD panel glass breaks, try not let liquid crystal get into your mouth even toxic property of liquid crystal has not been confirmed.)
- (5) If liquid crystal adheres, rinse it out thoroughly.  
(If liquid crystal adheres to your cloth or skin, wipe it off with rubbing alcohol or wash it thoroughly with soap. If liquid crystal gets into eyes, rinse it with clean water for at least 15 minutes and consult an eye doctor.)
- (6) If you scrap this products, follow a disposal standard of industrial waste that is legally valid in the community, country or territory where you reside.
- (7) Do not connect or disconnect this product while its application products is powered on.
- (8) Do not attempt to disassemble or modify this product as it is precision component.
- (9) If a part of soldering part has been exposed, and avoid contact (short-circuit) with a metallic part of the case etc. about FPC of this model, please.  
Please insulate it with the insulating tape etc. if necessary.  
The defective operation is caused, and there is a possibility to generation of heat and the ignition.
- (10) Since excess current protection circuit is not built in this TFT module, there is the possibility that LCD module or peripheral circuit become feverish and burned in case abnormal operation is generated.  
We recommend you to add excess current protection circuit to power supply.
- (11) The devices on the FPC are damageable to electrostatic discharge, because the terminals of the devices are exposed.  
Wear grounded wrist-straps and use electrostatic neutralization blowers to prevent static charge and discharge when handling the TFT monitors.  
Designate an appropriate operating area, and set equipment, tools, and machines properly when handling this product.

**Caution**

**This mark is used to indicate a precaution or an instruction which, if not correctly observed, may result in bodily injury, or material damages alone.**

## 15.2 Precautions for Handling

- 1) Wear finger tips at incoming inspection and for handling the TFT monitors to keep display quality and keep the working area clean.  
Do not touch the surface of the monitor as it is easily scratched.
- 2) Wear grounded wrist-straps and use electrostatic neutralization blowers to prevent static charge and discharge when handling the TFT monitors as the LED in this TFT monitors is damageable to electrostatic discharge. Designate an appropriate operating area, and set equipment, tools, and machines properly when handling this product.
- 3) Avoid strong mechanical shock including knocking, hitting or dropping to the TFT monitors for protecting their glass parts. Do not use the TFT monitors that have been experienced dropping or strong mechanical shock.
- 4) Do not use or storage the TFT monitors at high temperature and high humidity environment. Particularly, never use or storage the TFT monitors at a location where condensation builds up.
- 5) Avoid using and storing TFT monitors at a location where they are exposed to direct sunlight or ultraviolet rays to prevent the LCD panels from deterioration by ultraviolet rays.
- 6) Do not stain or damage the contacts of the FPC cable .  
FPC cable needs to be inserted until it can reach to the end of connector slot.  
During insertion, make sure to keep the cable in a horizontal position to avoid an oblique insertion.  
Otherwise, it may cause poor contact or deteriorate reliability of the FPC cable.
- 7) The FPC cable is a design very weak to the bend and the pull as it is fixed with the tape.  
Do not bend or pull the FPC cable or carry the TFT monitor by holding the FPC cable.
- 8) Peel off the protective film on the TFT monitors during mounting process.  
Refer to the section 15.5 on how to peel off the protective film.  
We are not responsible for electrostatic discharge failures or other defects occur when peeling off the protective film.
- 9) It is recommended to employ the structure of which polarizer peripheral area of LCD panel being pressed by cushioning materials, in order to prevent a cause of display brightness unevenness.
- 10) By reason of this model is made by thin glass, this model LCD is breakable.  
Please apply fitting of protection LCD surface. (ex. Covered acrylic board on LCD surface)

## 15.3 Precautions for Operation

- 1) Since this TFT monitors are not equipped with light shielding for the driver IC, do not expose the driver IC to strong lights during operation as it may cause functional failures.
- 2) In case of powering up or powering off this LCD module, be sure to comply the sequence as instructed in this specification.
- 3) Do not plug in or out the FPC cable while power supply is switch on.  
Plug the FPC cable in and out while power supply is switched off.
- 4) Do not operate the TFT monitors in the strong magnetic field. It may break the TFT monitors.
- 5) Do not display a fixed image on the screen for a long time.  
Use a screen-saver or other measures to avoid a fixed image displayed on the screen for a long time.  
Otherwise, it may cause burn-in image on the screen due the characteristics of liquid crystal.

#### 15.4 Storage Condition for Shipping Cartons

##### Storage environment

- Temperature 0 to 40° C
- Humidity 60%RH or less  
No-condensing occurs under low temperature with high humidity condition.
- Atmosphere No poisonous gas that can erode electronic components and/or wiring materials should be detected.
- Time period 1 year
- Unpacking To prevent damages caused by static electricity, anti-static precautionary measures (e.g. earthing, anti-static mat) should be implemented.  
After unpack, keep product in the appropriate condition, otherwise bubble seal of Protective film may be printed on Polarizer.
- Maximum piling up 7 cartons

##### \*Conditions to storage after unpacking

##### Storage environment

- Temperature 0 to 40° C
- Humidity 60%RH or less  
No-condensing occurs under low temperature with high humidity condition.
- Atmosphere No poisonous gas that can erode electronic components and/or wiring materials should be detected.
- Time period 1 year (Shelf life)
- Others Keep/ store away from direct sunlight  
Storage goods on original tray made by ORTUS.

### 15.5 Precautions for Peeling off the Protective film

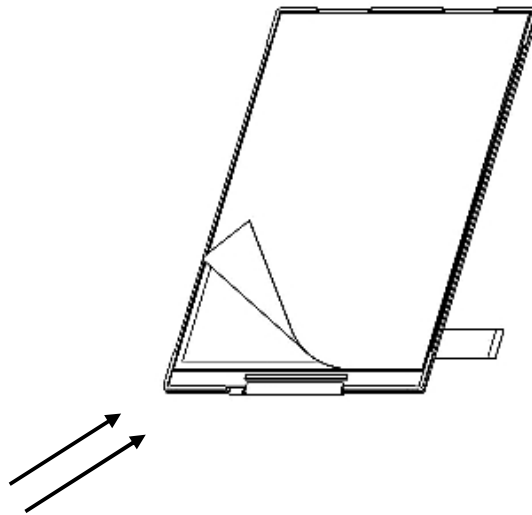
The followings work environment and work method are recommended to prevent the TFT monitors from static damage or adhesion of dust when peeling off the protective films.

#### A) Work Environment

- a) Humidity: 50 to 70 %RH, Temperature 15 to 27° C
- b) Operators should wear conductive shoes, conductive clothes, conductive finger tips and grounded wrist-straps.  
Use an electrostatic neutralization blower.  
Anti-static treatment should be implemented to work area's floor.
- c) Use a room shielded against outside dust with sticky floor mat laid at the entrance to eliminate dirt.

#### B) Work Method

- a) Place an ion blower with an optimal distance from the monitor and an optimal wind direction.
- b) Put an adhesive tape (Scotch tape, etc) at the lower left corner area of the protective film to prevent scratch on surface of TFT monitors.
- c) Peel off the adhesive tape slowly (spending more than 2 secs to complete) by pulling it to opposite direction.



Blower wind direction (Set an ion blower with its adequate conditions.)

### 15.6 Warranty

ORTUS is only liable to defective goods which is stored and used under the condition complying with this specifications and returned within 1 (one) year.

Warranty caused by manufacturing defect shall be conducted by replacement of goods or refundment at unit price.

**APPENDIX**

Reference Method for Measuring Optical Characteristics and Performance

1. Measurement Condition (Backlight ON)

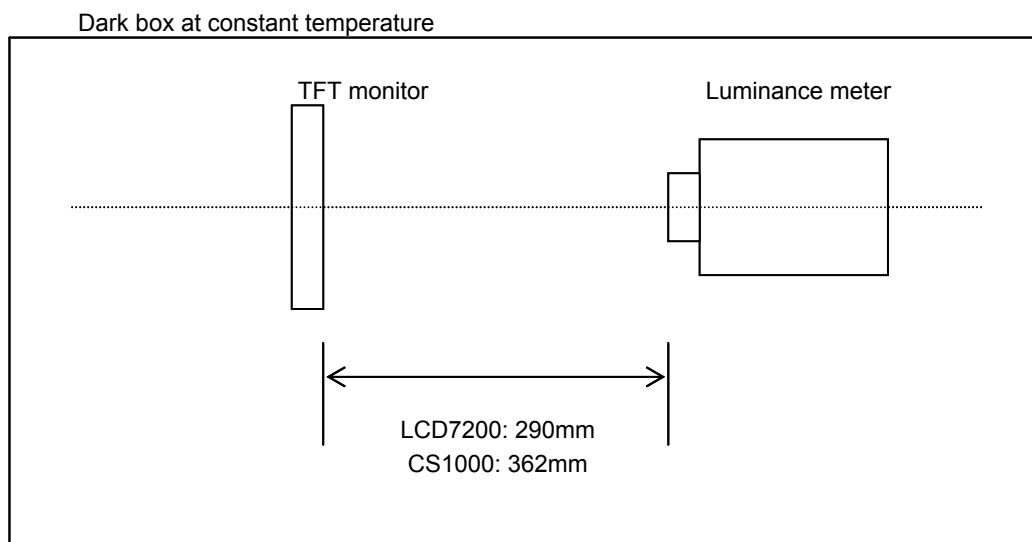
Measuring instruments: CS1000 (KONICA MINOLTA) , LCD7200(OTSUKA ELECTRONICS) ,EZcontrast160D (ELDIM)

Driving condition: Refer to the section "Optical Characteristics"

Measured temperature: 25° C unless specified

Measurement system: See the chart below. The luminance meter is placed on the normal line of measurement system.

Measurement point: At the center of the screen unless otherwise specified

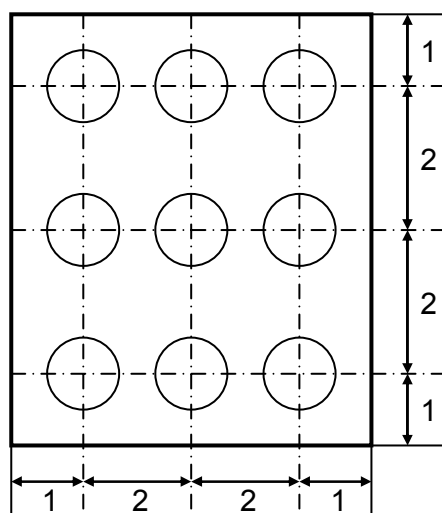


Measurement is made after 30 minutes of lighting of the backlight.

Measurement point: At the center point of the screen

Brightness distribution: 9 points shown in the following drawing.

<Portrait model>



Dimensional ratio of active area

Backlight IL=10mA



Measurement Condition (Contrast ratio Backlight OFF only)

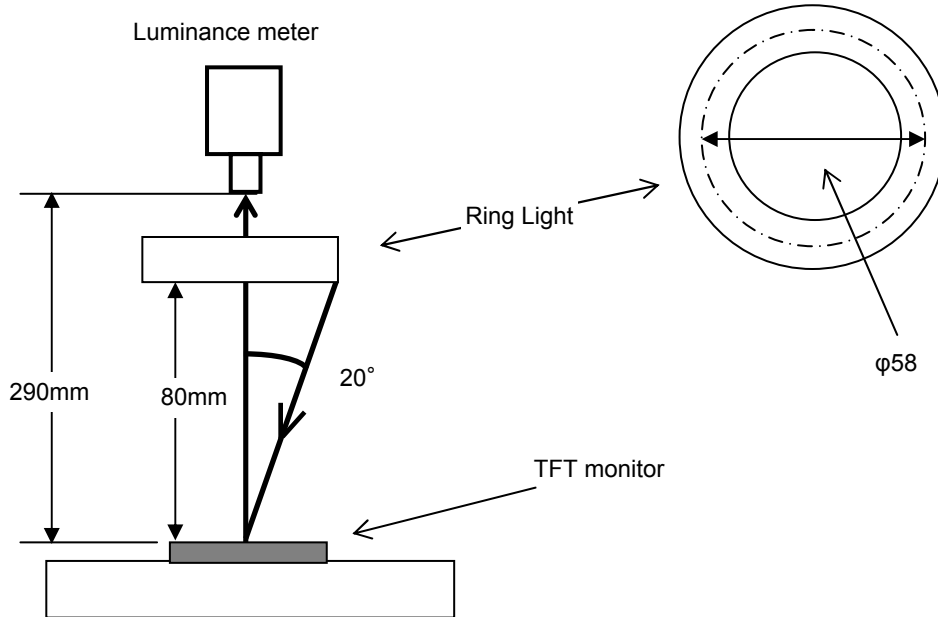
Measuring instruments: LCD7200(OTSUKA ELECTRONICS),Ring Light(40,000 lx,φ58)

Driving condition: Refer to the section "Optical Characteristics"

Measured temperature: 25° C unless specified

Measurement system: See the chart below.

Measurement point: At the center of the screen.



## 2. Test Method

Notice	Item	Test method	Measuring instrument	Remark
1	Response time	<p>Measure output signal waveform by the luminance meter when raster of window pattern is changed from white to black and from black to white.</p>	LCD7200	<p>Black display [Data]=00h White display [Data]=FFh TON Rise time TOFF Fall time</p>
2	Contrast ratio	<p>Measure maximum luminance Y1([Data]=FFh) and minimum luminance Y2([Data]=00h) at the center of the screen by displaying raster or window pattern. Then calculate the ratio between these two values.</p> <p>Contrast ratio = Y1/Y2 Diameter of measuring point: 8mmφ(CS1000) Diameter of measuring point: 3mmφ(LCD7200)</p>	CS1000 LCD7200	Backlight ON Backlight OFF
3	Viewing angle Horizontalθ Verticalφ	Move the luminance meter from right to left and up and down and determine the angles where contrast ratio is 10.	EZcontrast160D	
4	White chromaticity	Measure chromaticity coordinates x and y of CIE1931 colorimetric system at [Data] = FFh Color matching function: 2°view	CS1000	
5	Burn-in	Visually check burn-in image on the screen after 2 hours of "window display" ([Data]=00h/FFh).		At optimized VCOMDC
6	Center brightness	Measure the brightness at the center of the screen.	CS1000	
7	Brightness distribution	<p>(Brightness distribution) = 100 x B/A % A : max. brightness of the 9 points B : min. brightness of the 9 points</p>	CS1000	

Our company network supports you worldwide with offices in Germany, Austria, Switzerland, the UK and the USA. For more information please contact:

## Headquarters

Germany



**FORTEC Elektronik AG**

Lechwiesenstr. 9  
86899 Landsberg am Lech

Phone: +49 8191 91172-0  
E-Mail: [sales@forteca.de](mailto:sales@forteca.de)  
Internet: [www.forteca.de](http://www.forteca.de)

## Fortec Group Members

Austria



**FORTEC Elektronik AG**

**Office Vienna**

Nuschinggasse 12  
1230 Wien

Phone: +43 1 8673492-0  
E-Mail: [office@fortec.at](mailto:office@fortec.at)  
Internet: [www.fortec.at](http://www.fortec.at)

Germany



**Distec GmbH**

Augsburger Str. 2b  
82110 Germering

Phone: +49 89 894363-0  
E-Mail: [info@distec.de](mailto:info@distec.de)  
Internet: [www.distec.de](http://www.distec.de)

Switzerland



**ALTRAC AG**

Bahnhofstraße 3  
5436 Würenlos

Phone: +41 44 7446111  
E-Mail: [info@altrac.ch](mailto:info@altrac.ch)  
Internet: [www.altrac.ch](http://www.altrac.ch)

United Kingdom



**Display Technology Ltd.**

Osprey House, 1 Osprey Court  
Hichingbrooke Business Park  
Huntingdon, Cambridgeshire, PE29 6FN

Phone: +44 1480 411600  
E-Mail: [info@displaytechnology.co.uk](mailto:info@displaytechnology.co.uk)  
Internet: [www.displaytechnology.co.uk](http://www.displaytechnology.co.uk)

USA



**Apollo Display Technologies, Corp.**

87 Raynor Avenue,  
Unit 1 Ronkonkoma,  
NY 11779

Phone: +1 631 5804360  
E-Mail: [info@apolloDisplays.com](mailto:info@apolloDisplays.com)  
Internet: [www.apolloDisplays.com](http://www.apolloDisplays.com)